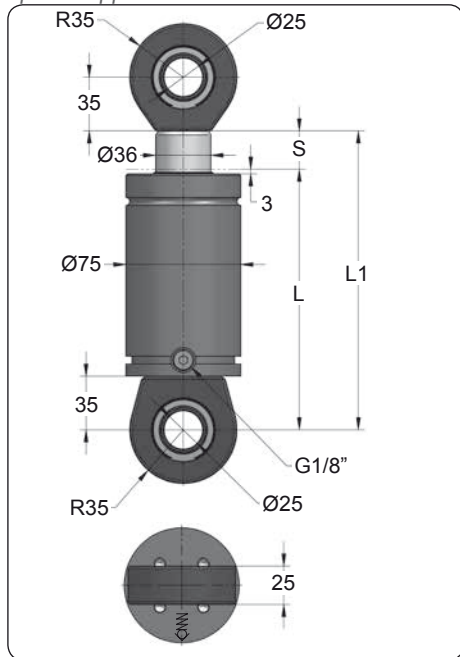
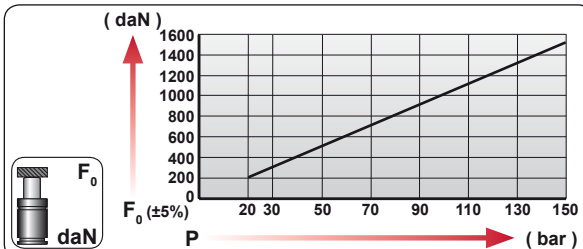


ROB 1500

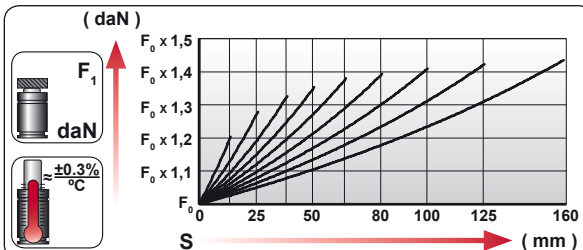
Special Applications



ORDER	S (mm)	L1 ±0,25 (mm)	L (mm)	Kg.
ROB 1500 012	12.7	170.4	157.7	4.36
ROB 1500 025	25	195	170	4.61
ROB 1500 038	38	221	183	4.88
ROB 1500 050	50	245	195	5.12
ROB 1500 063	63.5	272	208.5	5.40
ROB 1500 080	80	305	225	5.73
ROB 1500 100	100	345	245	6.14
ROB 1500 125	125	395	270	6.65
ROB 1500 160	160	465	305	7.37



CODE		Pressure		Force	
		bar	psi	F ₀ daN	F ₁ daN
ROB 1500 050		150	2175	1530	2070
-----		---	---	---	---



	ENG ORDER		F ₀ daN		S mm
	DEU BESTELLUNG				
	FRA COMMANDE				
	ITA ORDINE				
	ESP PEDIDO				
POR PEDIDO					

ROB 1500 50

ROB 1500 050

SEAL KIT S-XXXXXXX

CARTRIDGE KIT C-XXXXXXX

KIT S-XXXXXXX
KIT C-XXXXXXX

18 CG 1-Q

ENG REPAIR KIT	CHARGING ADAPTER
DEU ERSATZ	LADEADAPTER
FRA KIT DE RÉPARATION	RACCORD DE CHARGE
ITA KIT DI MANUTENZIONE	ADATTATORE DI CARICO
ESP KIT DE REPARACION	ADAPTADOR DE CARGA
POR KIT DE MANUTENÇÃO	ADAPTADOR DE CARGA

N ₂	S _{max} < 90%	V _{max} 1,6 m/s	P _{min} (20°C)	P _{max} (20°C)	T _{min}	T _{max}	600 CP-

bar	psi	bar	psi	°C	°F	°C	°F	
20	290	150	2175	0	32	80	176	