

Clever motion & smart performance – baumeister & schack

Telescopic lifters, linear guide lifters, actuators and smart accessories: baumeister & schack lifts you to the right level. In industrial manufacturing, vehicle construction, medical and healthcare technology, ergonomic furniture or multi-media displays - you can always depend on our smart products.

Just tell us what you need. Our highly motivated team of skilled specialists always offer you the perfect solution. If one of our standard products does not fit, as a traditional swabian inventor we will take an innovative, individual way with you to find the perfect solution.

Where other see the limits, we see the challenge

We are designing and producing our exceptional products in Balingen at the rise of the swabian alps, right in the middle of the country of inventors and precise technicians. We can look back to almost four decades of experience when it comes to lifting systems and drive technology.

Our constant growth proves our innovative power and the highest quality of our products. Through the years we consistently opened new branches and gained trusted customers, who value our products and service. Today we have 3000sq.m production area at two modern facilities in Balingen.



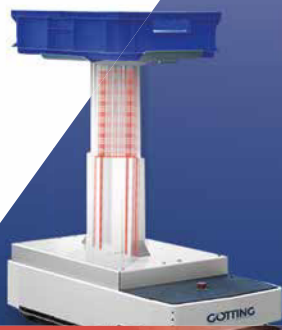
Precision for any branches

The lifting systems from baumeister & schack are used in many applications. They unite power, precision and distinctive design.

We can offer proper solutions for every market segment, from ready-to-built-in single components to complete systems.



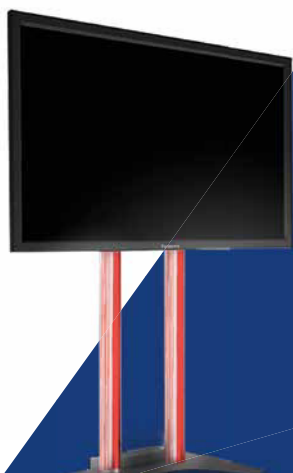
ERGONOMIC FURNITURE



INDUSTRY



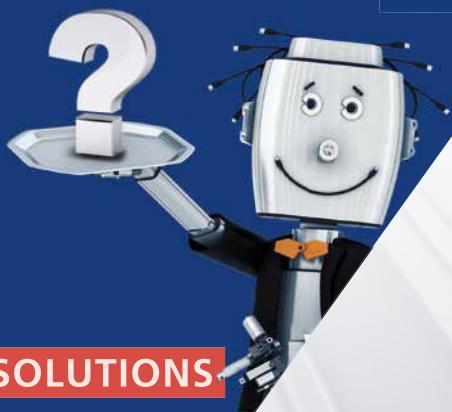
SPECIAL VEHICLE EQUIPMENT



MULTI-MEDIA DISPLAYS



MEDICAL AND HEALTHCARE



TAILOR-MADE SOLUTIONS

Excerpt from our references

Alu-line	ELABO	Liebherr Hausgeräte	Schneider Electric
Alvaris	ErgoPack	Linde	Siemens
Asstec	Fast & Fluid	Löwenstein Medical	Sirona Dentsply
Audi	Fona s.r.l.	Media Screen	Sortimo
Bansbach	Frei	medica Medizintechnik	Stadler
Bizerba	Haselmaier, Tischlerei	Merweg Gibswil	Storopack
BMW	hera Laborsysteme	MiniTec	TA Service
Bock, Hermann	Holzmedia	MIWE	Thermo Fisher
BOS	Hymer	Nick	Vitra
Bosch Rexroth	Ideal	Opel	VMA Getzmann
Clap Tzu	IKA-Werke	Optiplan	Völker
Cogent 3M	Interstuhl	PLEXUS	Waldmann
Daimler Benz	KABATEC	Porsche	Waldner
DFS Flugsicherung	Kim Stahlmöbel	Rittal	Walter Knoll
Dräger	Knürr	Rodek	Zeiss
EBM Pabst	Kögl	Rolf Benz	Zitec

...and many more.

CONTACT

Main Office

T: +49(0)7433/1456-0
Fax: +49(0)7433/1456-50
info@baumeister-schack.de

Sales

T: +49(0)7433/1456-11
sommer@baumeister-schack.de

Technical Support

T: +49(0)7433/1456-14
riemann@baumeister-schack.de

Construction

T: +49(0)7433/1456-33
tb@baumeister-schack.de

Distribution partners Germany

Germany ZIP-Codes: 0 - 7

Jens Vettermann
Fuchslochweg 1
74933 Neidenstein
T: +49 (0)160 476 328 2
vettermann@baumeister-schack.de

Germany ZIP-Codes: 8, 9

Ergo-Tec GmbH
Gewerbestraße 2
91489 Wilhelmsdorf
T: +49 (0)91 04 82 969 0
info@ergo-tec.com

Distribution partners worldwide

France

EASY MOOV Eurl
Jean-Eric Pidancet
PAE Les Glaisins, Imm. „Le Laudon“
12 A rue du Pre Faucon
F-74940 ANNECY LE VIEUX
T: +33 611 516 492
courrier@easymoov.fr

Belgium, Netherlands, Luxembourg

A&E Trading B.V.
Lorentzplatz 13
NL 9351 VJ Leek
T: +31 594 5811 58
info@aetrading.nl

Norway

Aratron AS
Bj17
N-1266 Oslo
T: +47 23 19 16 60
firmapost@aratron.no

Italy

Goraco S.r.l.
Via Asiago, 43
20128 Milano
Italy
T: +39 02 2578297
info@goraco.com

Sweden

Rollco AB
Ekvändan 3
254 67 Helsingborg
T: +46 42 15 00 40
info@rollco.de

Israel

Niggi Polished Tubes Ltd.
69, Gisin St., Kiryat Arie,
P.O.B. 10095 Petah Tikva
T: +97 2 3 9247811
niggi@npt.co.il

Portugal

Equinotec
Solucoes de Engenharia, Lda.
Av. Villagarcia de Arosa, 1120
4450-300 Matosinhos
T: +351 229 350 755 (Norte)
T: +351 218 400 850 (Sul)
comercialnorte@equinotec.com
comercialsul@equinotec.com

United Kingdom

LG Motion
Unit 1A Telford Road, Basingstoke
Hampshire
RG21 6YU
T: +44 1256 365600
info@lg-motion.co.uk

Romania

SC Parcon Freiwald SRL
Str. Depozitelor Nr. 22
540240 Tg. Mures, Romania
T: +40 365 410 572
freiwald@parconfreiwald.ro

HEXALIFT

HX240XXXXXXXXXF24



T 165 AP

T165I495640BBB24



VISOLIFT

VA260L700587HHH24
VS260L460375HHAAD



T 175

T175I500640CCC24
T175K800580CCC24



TR 126

TR126I500640AAA24
TR126K800580AAA24

TR126K200220AAA24
TR126L200220AAA24



T 180

T180N500640ADD24
T180K700580ADD24

T180K370320ADD24





with mounting brackets



without mounting brackets

HEXALIFT

Lifter Type Article number	Unit	Hexalift V1	Hexalift V2	Hexalift V3	Hexalift V4
		M=w. brackets O=w/o brackets	M=w. brackets O=w/o brackets	M=w. brackets O=w/o brackets	M=w. brackets O=w/o brackets
		HD240D	HD240G	HM240D	HM240G
		Stroke Length	Stroke Length	Stroke Length	Stroke Length
Push force max.	N	3200	2000	2000	800
Pull force max. **	N	1600**	1000**	1000**	400**
Max. lengthwise load statical	Nm	1200	1200	1200	1200
Max. lengthwise load dyn.	Nm	500	500	500	500
Max. lateral load statical	Nm	450	450	450	450
Max. lateral load dynamical	Nm	225	225	225	225
Speed (without load)	mm/s	9	18	9	18
Lifter version		2-stage	2-stage	2-stage	2-stage
Max. stroke (custom made)**	mm	700**	700**	700**	700**
Retracted length (Standard)	mm	530/580/630/680	530/580/630/680	530/580/630/680	530/580/630/680
Stroke (Standard)	mm	350/400/450/500	350/400/450/500	350/400/450/500	350/400/450/500
Length/Stroke calculation	mm	Length=stroke +180	Length=stroke +180	Length=stroke +180	Length=stroke +180
Fixing points inner profile***		4 x M8	4 x M8	4 x M8	4 x M8
Fixing points outer profile***		4 x M8	4 x M8	4 x M8	4 x M8
Voltage	V/DC	24	24	24	24
Max. power input	W	144	144	144	144
Max. power consumption	A	7	7	7	7
Cable	mm	1200	1200	1200	1200
Plug	Type	Molex Mini Fit Jr.	Molex Mini Fit Jr.	Molex Mini Fit Jr.	Molex Mini Fit Jr.
Cycle duty (S3)	min	1 / 9 (10 %)	1 / 9 (10 %)	1 / 9 (10 %)	1 / 9 (10 %)
Environment temperature	°C	+10 to +40	+10 to +40	+10 to +40	+10 to +40
Protection rate*	IP	up to 54	up to 54	up to 54	up to 54
Isolation class		III	III	III	III
Weight	kg	12,6	12,6	11,7	11,7
Pulse travel length (2-Hall)	mm/signal	0,0941	0,2092	0,0941	0,2092
Integrated end switches		Yes	Yes	Yes	Yes

Stroke tolerance (+/- 2mm) and operating speed depending on load and voltage

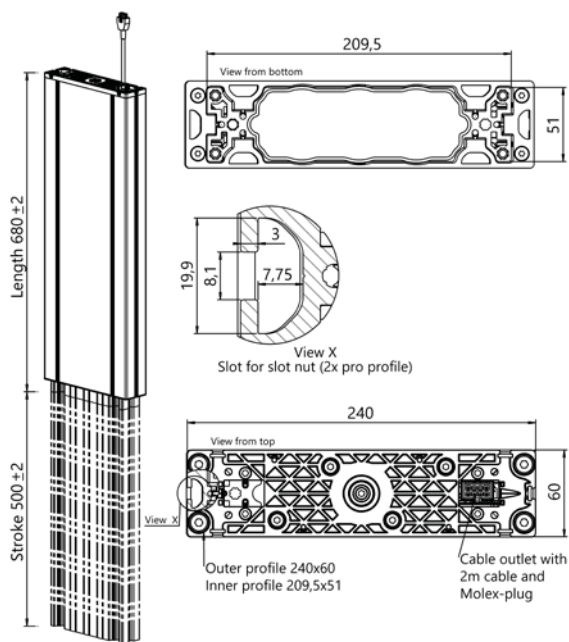
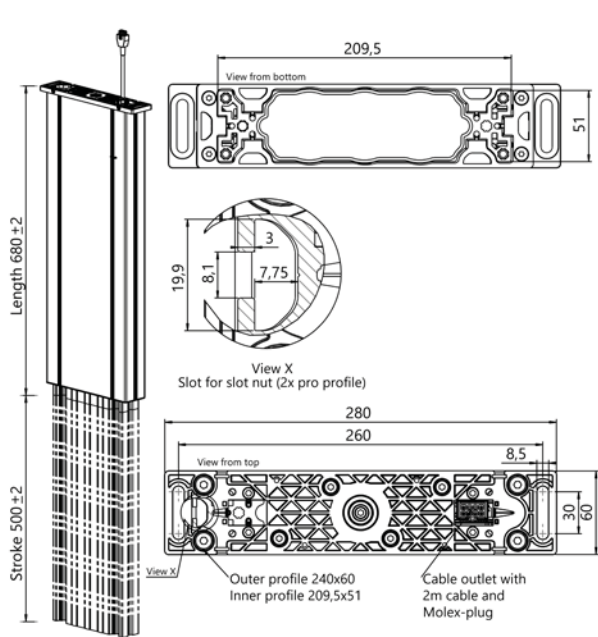
*Depends on installation position

**Other retracted length/stroke/pull application on demand

*** Screws self cutting/forming according to DIN 7500, thread depth min. L= 2,5 x D

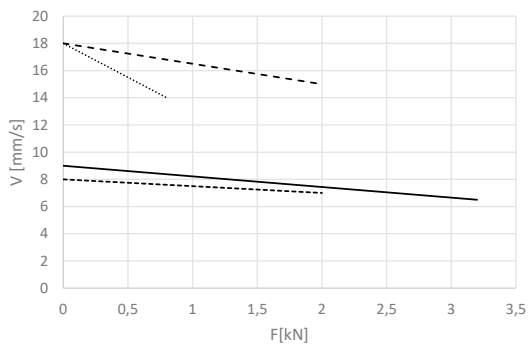
Controllers and add-on components see accessoires

LIFTERS HEXALIFT

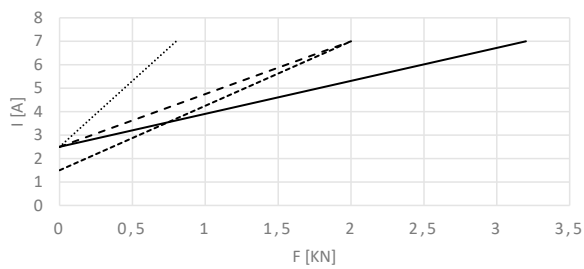


HEXALIFT W. BRACKETS

HEXALIFT W/O BRACKETS



— Version 1 - - - Version 2 ····· Version 3 - · - · Version 4



— Version 1 - - - Version 2 ····· Version 3 - · - · Version 4



VISOLIFT VA

VISOLIFT VS

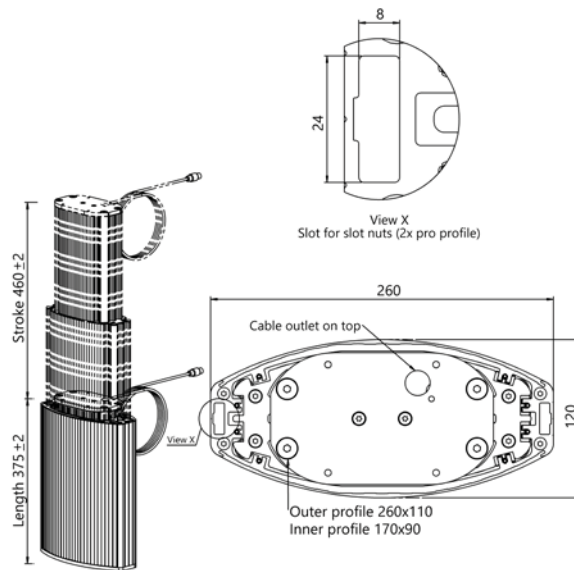
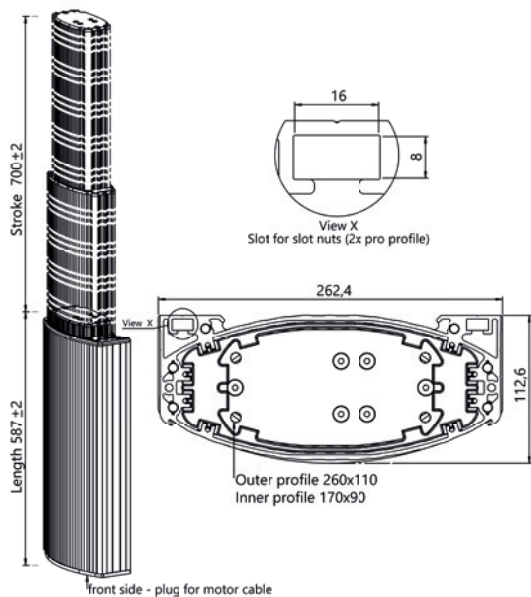
Lifter type Article number	Unit	Visolift asymetrical VA260L700587HHH24	Visolift symetrical VS260L460375HHAAD
Push force max.	N	2200	1500
Pull force max. **	N	1100	750
Max. lengthwise load statical	Nm	1200	1200
Max. lengthwise load dyn.	Nm	500	500
Max. lateral load statical	Nm	450	450
Max. lateral load dynamical	Nm	225	225
Speed (without load)	mm/s	12	15
Lifter version		3-stage	3-stage
Max. stroke (custom made)**	mm	1000	700
Retracted length (Standard)	mm	587	375
Stroke (Standard)	mm	700	460
Length/Stroke calculation	mm	Length=stroke/2+237	Length=stroke/2+237
Fixing points inner profile ***		4 x M8	4 x M8
Fixing points outer profile***		4 x M8	4 x M8
Voltage	V/DC	24	24
Max. power input	W	144	144
Max. power consumption	A	6	6
Cable	mm	1600	1600
Plug	Type	Molex Mini Fit Jr.	Molex Mini Fit Jr.
Cycle duty (S3)	min	1 / 9 (10 %)	1 / 9 (10 %)
Environment temperature	°C	+10 to +40	+10 to +40
Protection rate*	IP	up to 54	up to 54
Isolation class		III	III
Weight	kg	18,5	18
Pulse travel length (2-Hall)	mm/Signal	0,2268	0,1568
Integrated end switches		Yes	Yes

Stroke tolerance (+/- 2mm) and operating speed depending on load and voltage

*Depends on installation position

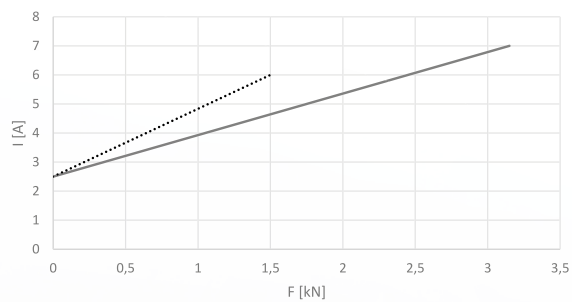
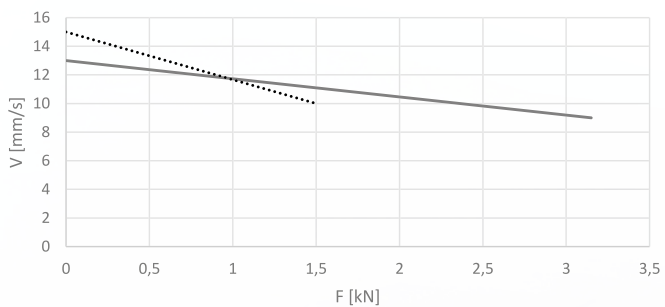
**Other retracted length/stroke/pull application on demand

*** Screws self cutting/forming according to DIN 7500, thread depth min. L= 2,5 x D
 Controllers and add-on components see accessoires



VISOLIFT VA

VISOLIFT VS



— VISOLIFT asymmetrisch VISOLIFT symmetrisch



TR 126/2

TR 126/3

TR 126/3 MINI

Lifter type		TR 126/2	TR 126/3	TR 126/3 mini	TR126/3S mini
Article number	Unit	TR126I500640AAA24	TR126K800580AAA24	TR126K200220AAA24	TR126L200220AAA24
Push force max.	N	800	800	800	1500
Pull force max. **	N	400**	400**	400**	400**
Max. lateral load statical	Nm	200	200	200	300
Max. lateral load dynamical	Nm	100	100	100	150
Speed (without load)	mm/s	25	25	25	15
Lifter version		2-stage	3-stage	3-stage	3-stage
Max. stroke (custom made)**	mm	700 (Fmax: 600N)**	1000 (Fmax: 600N)**	360 (Fmax: 600N)**	360 (Fmax: 1200N)**
Retracted length (Standard)	mm	640	580	220	220
Stroke (Standard)	mm	500	800	200	200
Length/Stroke calculation	mm	Length= Stroke+140	Length=Stroke/2+180	Length=Stroke/2+120	Length=Stroke/2+120
Fixing points inner profile***		4 x M5	4 x M5	4 x M5	4 x M5
Fixing points outer profile***		4 x M5	4 x M5	4 x M5	4 x M5
Voltage	V/DC	24	24	24	24
Max. power input	W	144	144	144	144
Max. power consumption	A	6	6	6	6
Cable	mm	1200	1200	1200	1200
Plug	Type	8-pins MAS 80S	8-pins MAS 80S	8-pins MAS 80S	8-pins MAS 80S
Cycle duty (S3)	min	1 / 9 (10 %)	1 / 9 (10 %)	1 / 9 (10 %)	1 / 9 (10 %)
Environment temperature	°C	+10 to +40	+10 to +40	+10 to +40	+10 to +40
Protection rate*	IP	up to 54	up to 54	up to 54	up to 54
Isolation class		III	III	III	III
Weight	kg	6,5	8,6	4,2	4,2
Pulse travel length (2-Hall)	mm/pulse	0,1568	0,3137	0,3137	0,1568
Integrated end switches		Yes	Yes	Yes	Yes

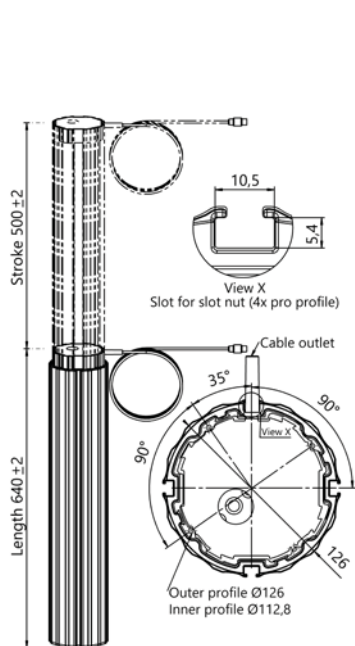
Stroke tolerance (+/- 2mm) and operating speed depending on load and voltage

*Depends on installation position

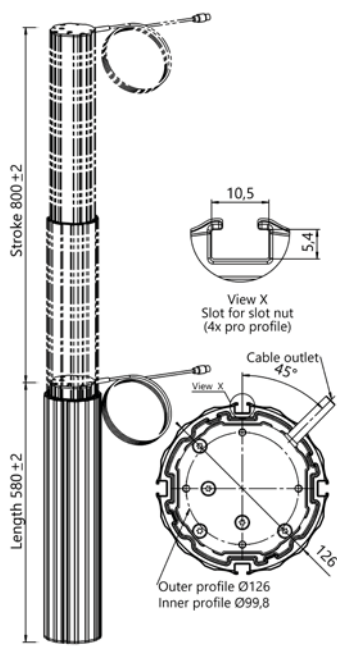
**Other retracted length/stroke/pull application on demand

*** Screws self cutting/forming according to DIN 7500, thread depth min. L= 2,5 x D

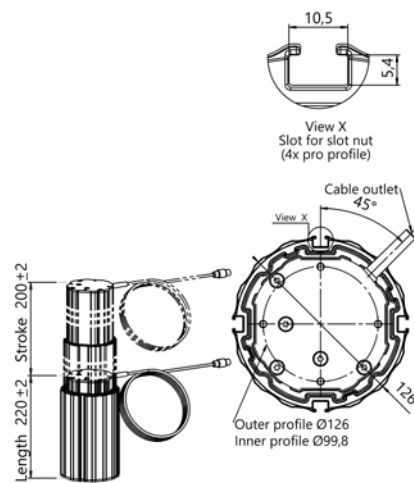
Controllers and add-on components see accessories



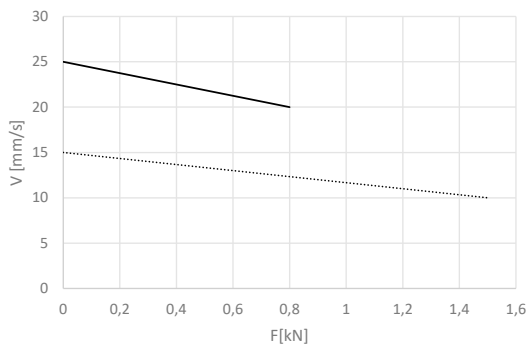
TR 126/2



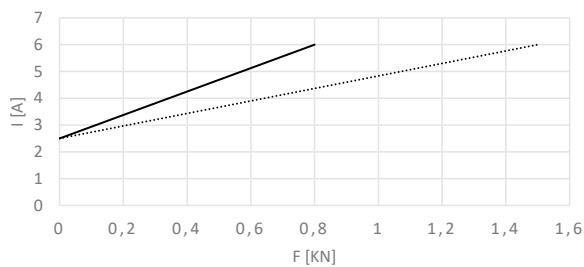
TR 126/3



TR 126/3 MINI



— TR 126/2 TR 126/3 TR 126/3 mini TR 126/3Smini



— TR 126/2 TR 126/3 TR 126/3 mini TR 126/3Smini

LIFTERS T 165 AP



T 165 AP

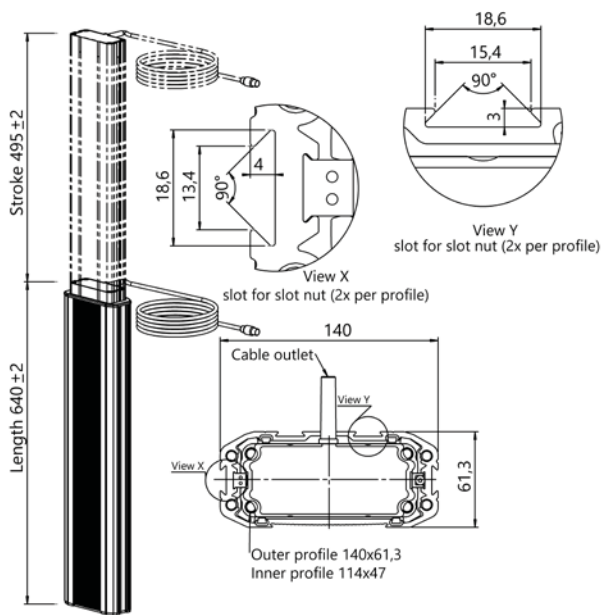
Lifter type		T 165
Article number	Unit	T165I495640BBB24
Push force max.	N	800
Pull force max. **	N	400
Max. lengthwise load statical	Nm	200
Max. lengthwise load dynamical	Nm	100
Max. lateral load statical	Nm	200
Max. lateral load dynamical	Nm	100
Speed (without load)	mm/s	25
Lifter version		2-stage
Max. stroke (custom made)**	mm	700
Retracted length (Standard)	mm	640
Stroke (Standard)	mm	495
Length/Stroke calculation	mm	Length= stroke+145
Fixing points inner profile ***		4 x M8
Fixing points outer profile***		4 x M8
Voltage	V/DC	24
Max. power input	W	144
Max. power consumption	A	6
Cable	mm	1200
Plug	Type	8-pin MAS 80S
Cycle duty (S3)	min	1 / 9 (10 %)
Environment temperature	°C	+10 to +40
Protection rate*	IP	up to 54
Isolation class		III
Weight	kg	5,6
Pulse travel length (2-Hall)	mm/signal	0,319
Integrated end switches		Yes

Stroke tolerance (+/- 2mm) and operating speed depending on load and voltage

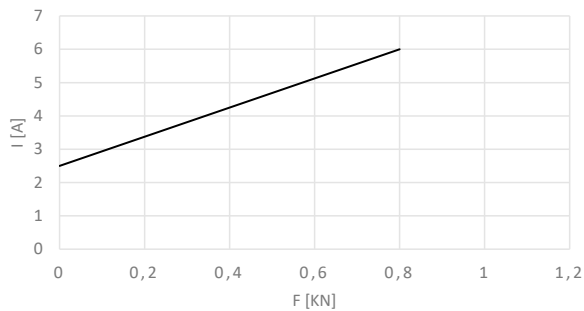
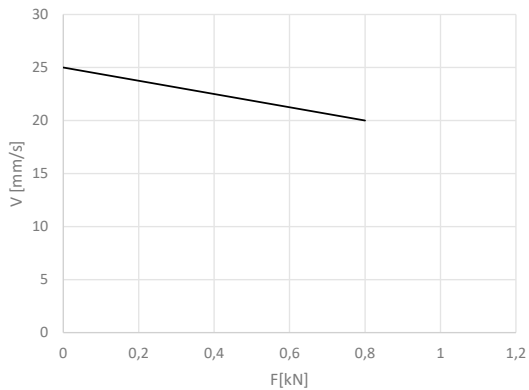
*Depends on installation position

**Other retracted length/stroke/pull application on demand

*** Screws self cutting/forming according to DIN 7500, thread depth min. L= 2,5 x D
 Controllers and add-on components see accessoires



T 165 AP





T 175/2

T 175/3

T 175/3 MINI

Lifter type		T 175/2	T 175/3	T 175/3 mini
Article number	Unit	T175I500640CCC24	T175K800580CCC24	T175K235245CCC24
Push force max.	N	800	800	800
Pull force max. **	N	400**	400**	400**
Max. lengthwise load statical	Nm	200	200	200
Max. lengthwise load dyn.	Nm	100	100	100
Max. lateral load statical	Nm	200	200	200
Max. lateral load dynamical	Nm	100	100	100
Speed (without load)	mm/s	25	25	25
Lifter version		2-stage	3-stage	3-stage
Max. stroke (custom made)**	mm	700 (max. 600N)	1000 (max. 600N)**	1000 (max. 600N)**
Retracted length (Standard)	mm	640	580	245
Stroke (Standard)	mm	500	800	235
Length/Stroke calculation	mm	Length=stroke+140	Length=stroke/2+180	Length=stroke/2+127,5
Fixing points inner profile ***		4 x M6	4 x M6	4 x M6
Fixing points outer profile***		4 x M6	4 x M6	4 x M6
Voltage	V/DC	24	24	24
Max. power input	W	144	144	144
Max. power consumption	A	6	6	6
Cable	mm	1200	1200	1450
Plug	Type	8-pin MAS 80S	8-pin MAS 80S	8-pin MAS 80S
Cycle duty (S3)	min	1 / 9 (10 %)	1 / 9 (10 %)	1 / 9 (10 %)
Environment temperature	°C	+10 to +40	+10 bis +40	+10 bis +40
Protection rate*	IP	up to 54	up to 54	up to 54
Isolation class		III	III	III
Weight	kg	5,3	7,1	3,8
Pulse travel length (2-Hall)	mm/Signal	0,1568	0,3137	0,3137
Integrated end switches		Yes	Yes	Yes

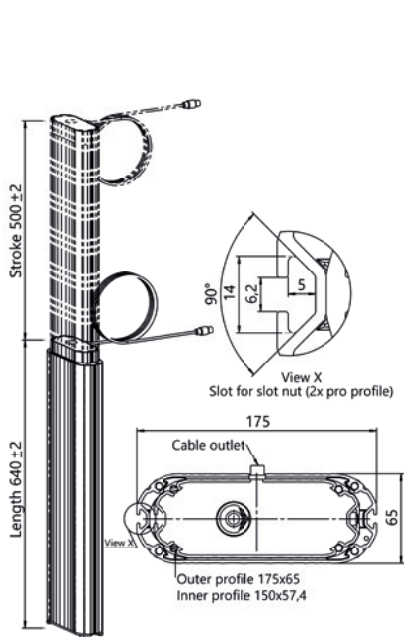
Stroke tolerance (+/- 2mm) and operating speed depending on load and voltage

*Depends on installation position

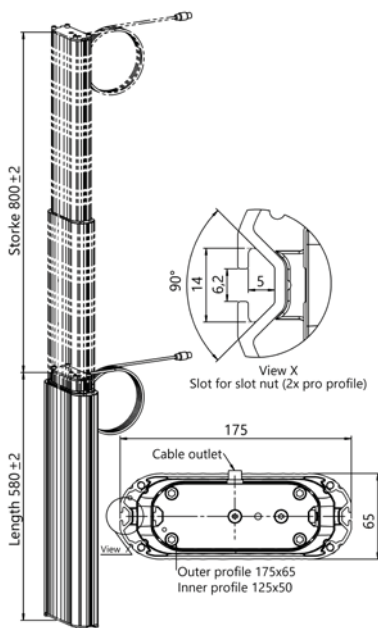
**Other retracted length/stroke/pull application on demand

*** Screws self cutting/forming according to DIN 7500, thread depth min. L= 2,5 x D

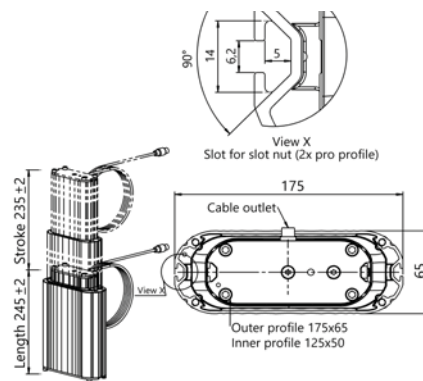
Controllers and add-on components see accessoires



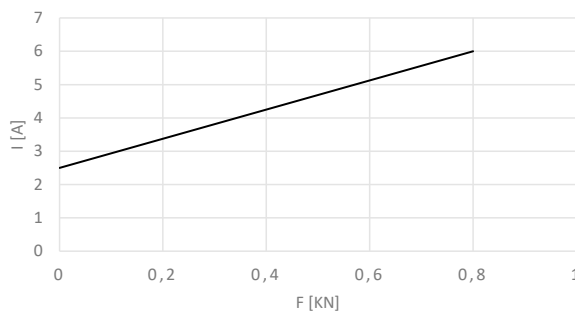
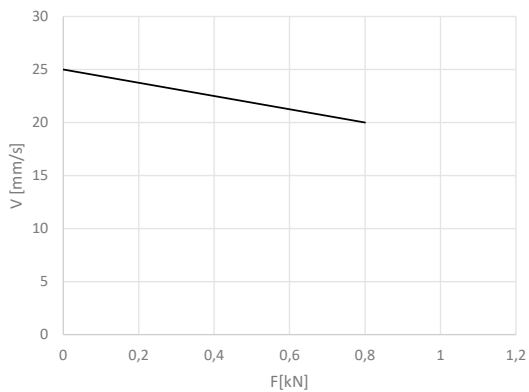
T 175/2



T 175/3



T 175/3 MINI





T 180/2

T 180/3 580

T 180/3 320

Lifter type		T 180/2 AP	T 180/3 AP	T 180/3 AP
Article number	Unit	T180N500640ADD24	T180K700580ADD24	T180K370320ADD24
Push force max.	N	1000	800	800
Pull force max. **	N	600**	400**	400**
Max. lengthwise load statical	Nm	200	200	200
Max. lengthwise load dyn.	Nm	100	100	100
Max. lateral load statical	Nm	200	200	200
Max. lateral load dynamical	Nm	100	100	100
Speed (without load)	mm/s	25	25	25
Lifter version		2-stage	3-stage	3-stage
Max. stroke (custom made)**	mm	700 (Fmax: 600N)**	1000 (Fmax: 600N)**	500 (Fmax: 600N)**
Retracted length (Standard)	mm	640	580	320
Stroke (Standard)	mm	500	700	370
Length/Stroke calculation	mm	Length=Stroke+140	Length=Stroke/2+230	Length=Stroke/2+135
Fixing points inner profile ***		4 x M6	4 x M6	4 x M6
Fixing points outer profile***		4 x M6	4 x M6	4 x M6
Voltage	V/DC	24	24	24
Max. power input	W	144	144	144
Max. power consumption	A	6	6	6
Cable	mm	1200	1200	1200
Plug	Type	Molex Mini Fit Jr.	Molex Mini Fit Jr.	Molex Mini Fit Jr.
Cycle duty (S3)	min	1 / 9 (10 %)	1 / 9 (10 %)	1 / 9 (10 %)
Environment temperature	°C	+ 10 bis + 40	+ 10 bis + 40	+ 10 bis + 40
Protection rate*	IP	up to 54	up to 54	up to 54
Isolation class		III	III	III
Weight	kg	7,5	10	6,2
Pulse travel length (2-Hall)	mm/signal	0,319	0,7659	0,7659
Integrated end switches		Yes	Yes	Yes

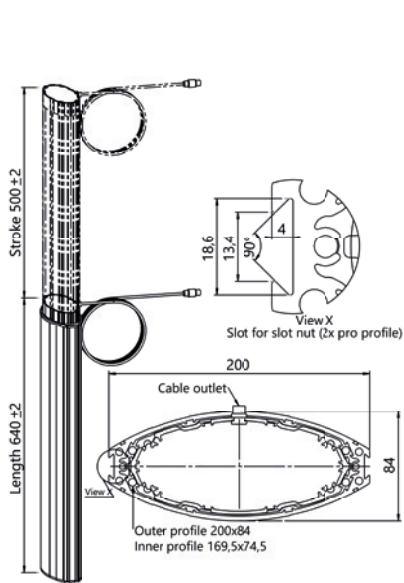
Stroke tolerance (+/- 2mm) and operating speed depending on load and voltage

*Depends on installation position

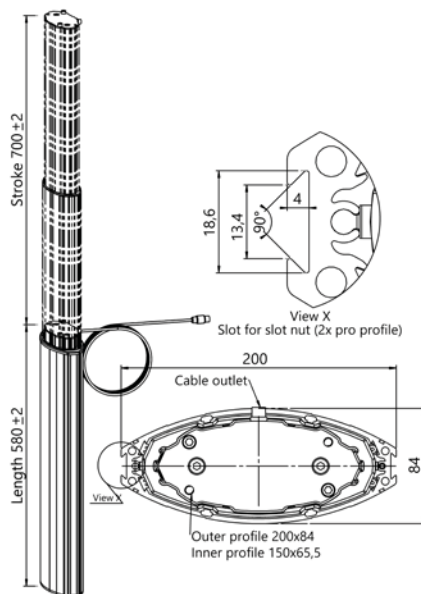
**Other retracted length/stroke/pull application on demand

*** Screws self cutting/forming according to DIN 7500, thread depth min. L= 2,5 x D

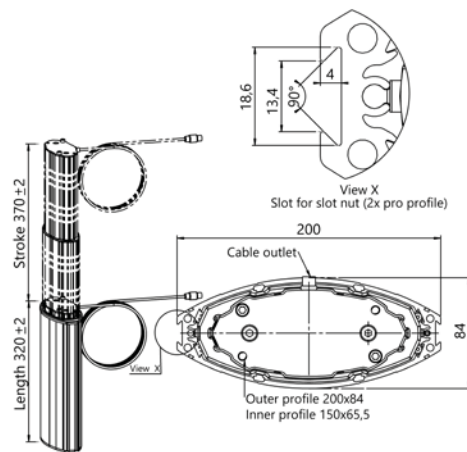
Controllers and add-on components see accessoires



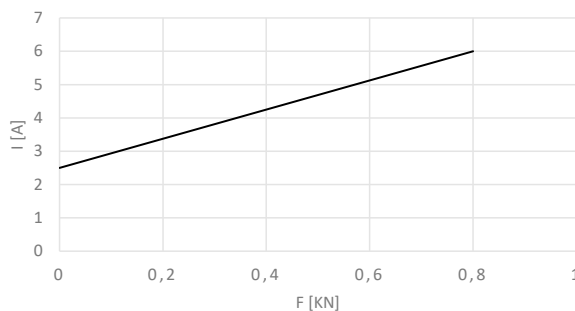
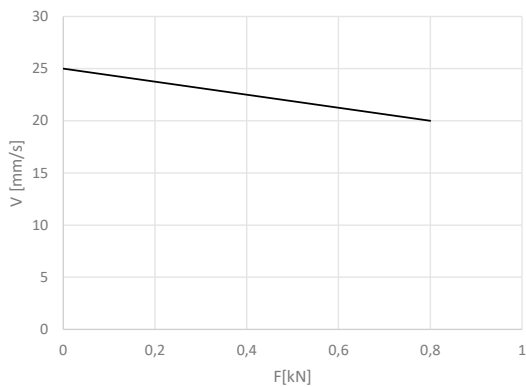
T 180/2



T 180/3 580



T 180/3 320



I 67 Koax

IK67 YYYYYZZZZAAA24



I 140 ST

IS140 YYYYYZZZZDDD24





I 67 Koax

Linear Guide Lifter		I 67 Koax, Spindle 12x3	I 67 Koax, Spindle 12x6	I 67 Koax, Spindle 12x12	I 67 Koax, Spindle 12x16	I 67 Koax, Spindle 12x30
Article number	Unit	IK67 MYYYYZZZAAA24	IK67 FYYYYZZZAAA24	IK67 IYYYYZZZAAA24	IK67 JYYYYZZZAAA24	IK67 OYYYYZZZAAA24
Push force max.	N	1000	800	600	400	400
Pull force max. **	N	500	400	300	200	200
Integr. brake in push direction		No/self-locking	Yes	Yes	Yes	Yes
Max. side load statical	Nm	150	150	150	150	150
Max. side load dynamical	Nm	100	100	100	100	100
Speed (without load)	mm/s	8	15	25	35	70
Length/stroke max.	mm	2000/1620	2000/1620	2000/1620	2000/1620	2000/1610
Slider length**	mm	160	160	160	160	160
Length/Stroke calculation	mm	Length=stroke+380	Length=stroke+380	Length=stroke+380	Length=stroke+380	Length=stroke+380
Fixing points***		4 x M6	4 x M6	4 x M6	4 x M6	4 x M6
Voltage	V/DC	24	24	24	24	24
Max. power input	W	144	144	144	144	144
Max. power consumption	A	6	6	6	6	6
Cable	mm	2300	2300	2300	2300	2300
Plug	Type	8-pin MAS 80S	8-pin MAS 80S	8-pin MAS 80S	8-pin MAS 80S	8-pin MAS 80S
Cycle duty (S3)	min	1 / 9 (10 %)	1 / 9 (10 %)	1 / 9 (10 %)	1 / 9 (10 %)	1 / 9 (10 %)
Environment temperature	°C	+10 to +40	+10 to +40	+10 to +40	+10 to +40	+10 to +40
Protection rate*	IP	up to 54	up to 54	up to 54	up to 54	up to 54
Isolation class		III	III	III	III	III
Weight	kg	Length1000mm approx. 4,5kg				
Pulse travel length (2-Hall)	mm/signal	0,0875	0,1714	0,3429	0,4571	0,8571
Integrated end switches		Yes	Yes	Yes	Yes	Yes

Stroke tolerance (+/- 2mm) and operating speed depending on load and voltage

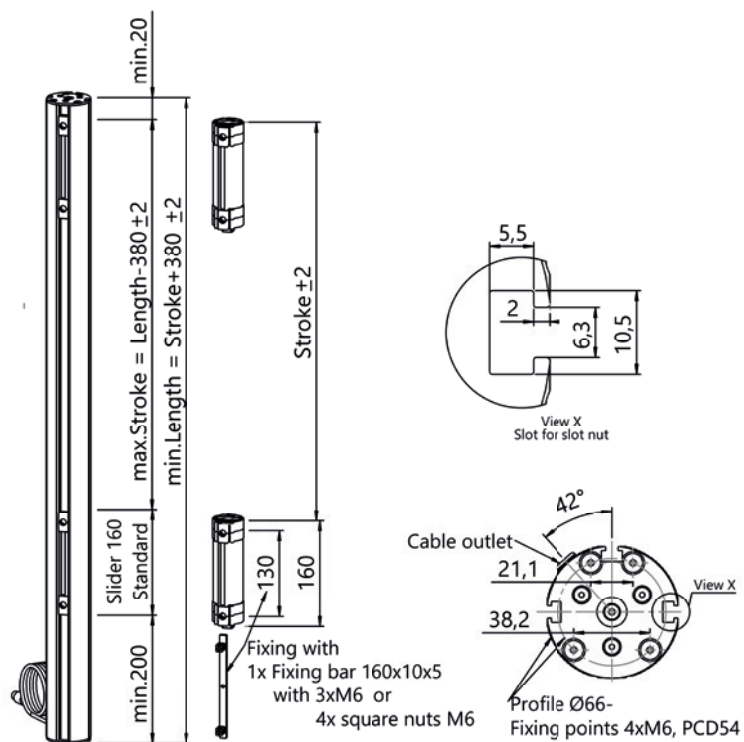
*Depends on installation position

**Other length on demand

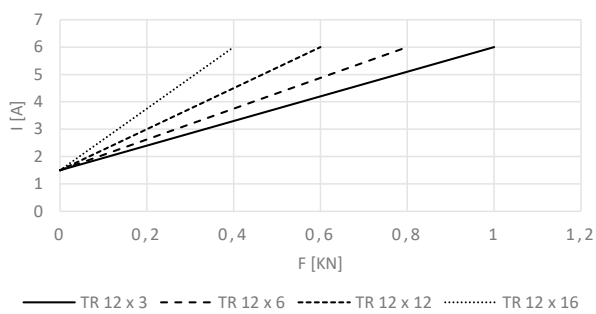
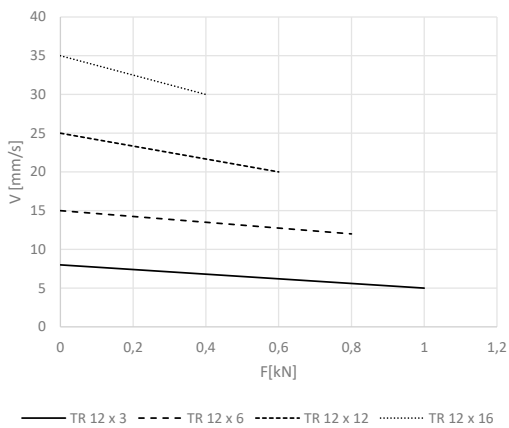
*** Screws self cutting/forming according to DIN 7500, thread depth min. L= 2,5 x D

Controllers and add-on components see accessoires

LINEAR GUIDE LIFTER I 67 Koax



I 67 Koax





I 140 ST

Linear Guide Lifter Article number	Unit	I 140 ST, Spindle 12x3 IS140MYYYZZZZDDD24	I 140 ST, Spindle 12x6 IS140FYYYYZZZZDDD24	I 140 ST, Spindle 12x12 IS140IYYYYZZZZDDD24
Push force max.	N	1800	800	300
Pull force max. **	N	900	400	150
Max. side load statical	Nm	200	200	200
Max. side load dynamical	Nm	150	150	150
Speed (without load)	mm/s	10	25	40
Length/stroke max.	mm	2000/1740	2000/1740	2000/1740
Slider length**	mm	175**	175**	175**
Length/Stroke calculation	mm	Length=stroke+260	Length=stroke+260	Length=stroke+260
Fixing points***		4 x M6	4 x M6	4 x M6
Voltage	V/DC	24	24	24
Max. power input	W	144	144	144
Max. power consumption	A	6	6	6
Cable	mm	2200	2200	2200
Plug	Type	8-pin MAS 80S	8-pin MAS 80S	8-pin MAS 80S
Cycle duty (S3)	min	1 / 9 (10 %)	1 / 9 (10 %)	1 / 9 (10 %)
Environment temperature	°C	+10 to +40	+10 to +40	+10 to +40
Protection rate*	IP	up to 42	up to 42	up to 42
Isolation class		III	III	III
Weight	kg		Length 1000mm approx. 9,5	
Pulse travel length (2-Hall)	mm/signal	0,1949	0,383	0,766
Integrated end switches		Yes	Yes	Yes

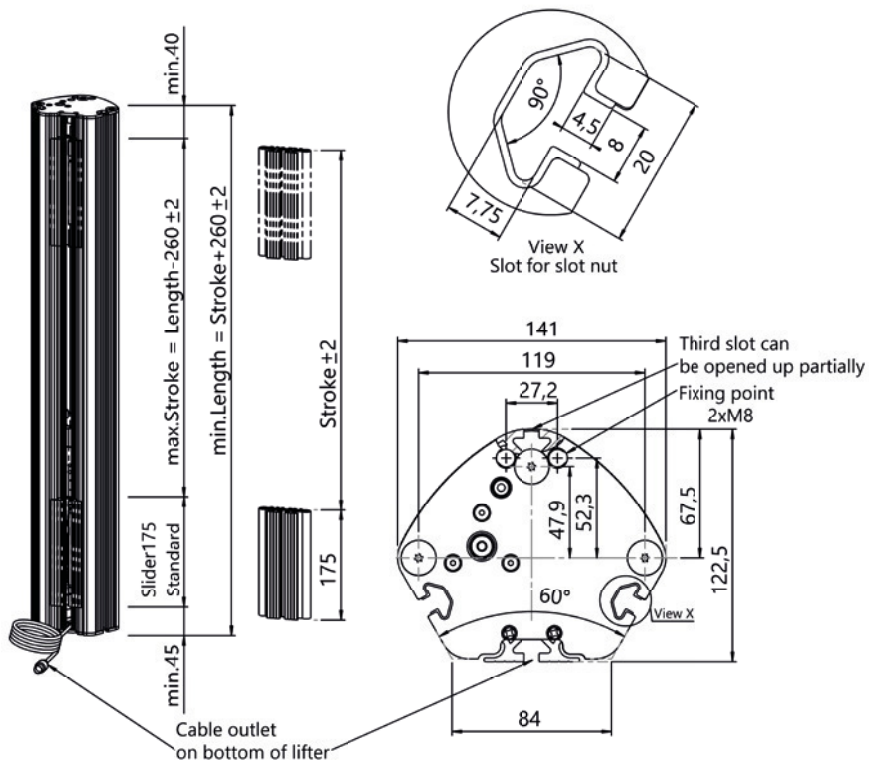
Stroke tolerance (+/- 2mm) and operating speed depending on load and voltage

*Depends on installation position

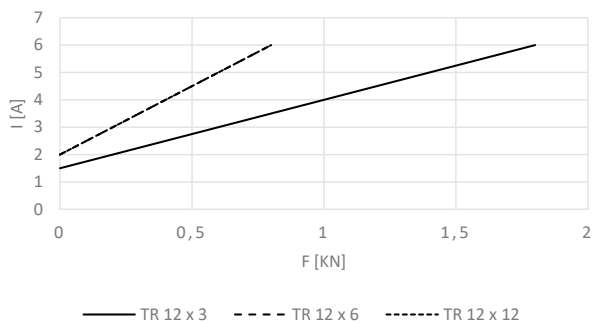
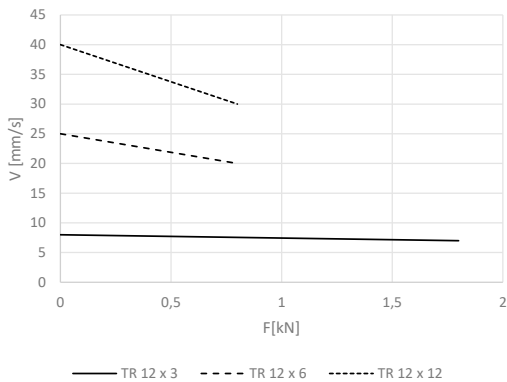
**Other length on demand

*** Screws self cutting/forming according to DIN 7500, thread depth min. L= 2,5 x D

Controllers and add-on components see accessoires



I 140 ST



ACTUATOR OVERVIEW

100/12 100/50

101XXXXXXZZZAAA24
105XXXXXXZZZBBB24



200 S

20SXXXXXXZZZLLL24



110 D

11DXXXXXXZZZCCC24



200 KS

2KSXXXXXXZZZNNN24



110 E

11EXXXXXXZZZDDD24



DR-HM D

DRDXXXXXXZZZKKK24



120 S

12SXXXXXXZZZFFFXX



Koax D

KDDXXXXXXZZZO0024



120 SE

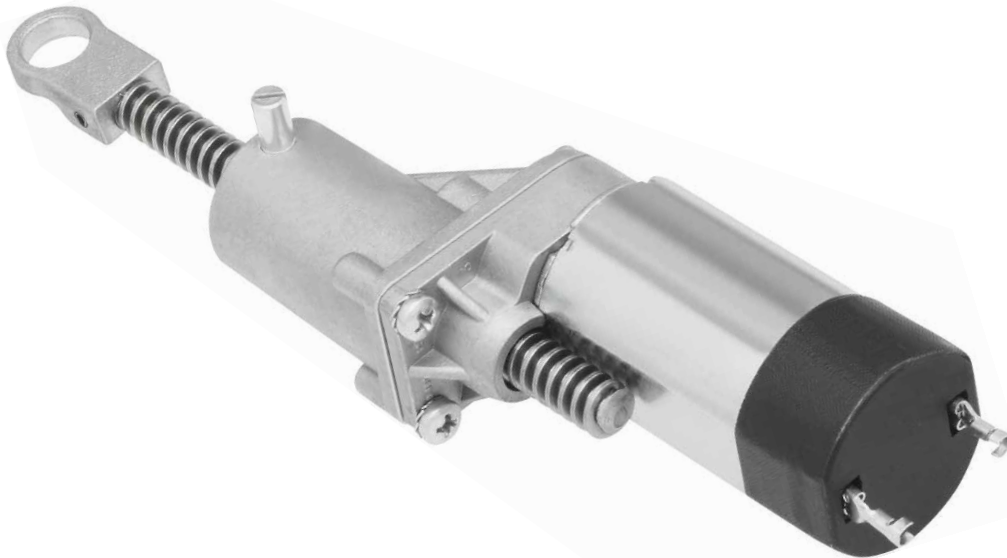
12EXXXXXXZZZGGGXX



Koax E

KDEXXXXXXXZZZPPP24





TYP 100

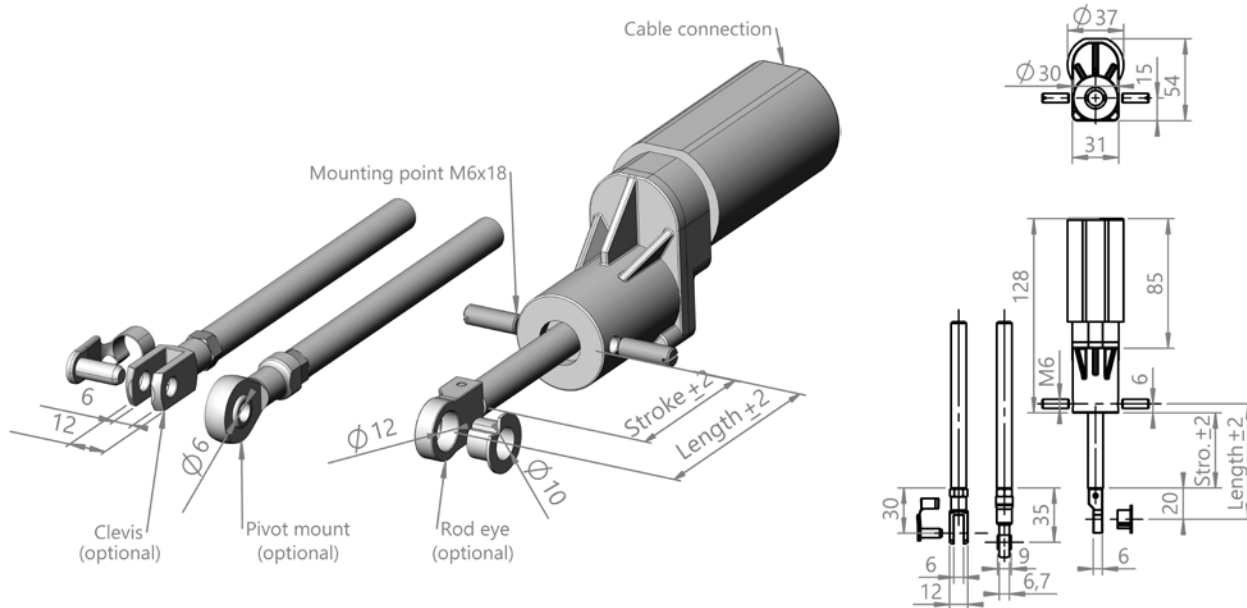
Actuator Article number	Unit	100/12, Spindle 10x3 101CYYYYZZZAAA24	100/12, Spindle 10x6 101NYYYYZZZAAA24	100/50, Spindle 10x3 105CYYYYZZZAAA24	100/50, Spindle 10x6 105NYYYYZZZAAA24
Push force max.	N	500	250	1400	700
Pull force max. **	N	500	250	1400	700
Speed (without load)	mm/s	20	40	5	10
Power rating	W	10...40	10...40	10...40	10...40
Max. stroke**	mm	301	426	180	255
Overall length with rod eye	mm	Length: Stroke + 26mm	Length: Stroke + 26mm	Length: Stroke + 26mm	Length: Stroke + 26mm
Overall length with clevis	mm	Length: Stroke + 36mm	Length: Stroke + 36mm	Length: Stroke + 36mm	Length: Stroke + 36mm
Overall length w. pivot mount	mm	Length: Stroke + 41mm	Length: Stroke + 41mm	Length: Stroke + 41mm	Length: Stroke + 41mm
Voltage	V/DC	12...36	12...36	12...36	12...36
Max. power input	W	50...80	50...80	50...80	50...80
Max. power consumption	A	1,0...3,5	1,0...3,5	1,0...3,5	1,0...3,5
Plug		Blade terminal 4,8x0,5	Blade terminal 4,8x0,5	Blade terminal 4,8x0,5	Blade terminal 4,8x0,5
Cycle duty (S3)	min	1 / 9 (10 %)	1 / 9 (10 %)	1 / 9 (10 %)	1 / 9 (10 %)
Environment temperature	°C	0...40	0...40	0...40	0...40
Protection rate*	IP	up to 41	up to 41	up to 41	up to 41
Isolation class		E	E	E	E
Weight (without spindle)	kg	0,45	0,45	0,45	0,45
Gear reduction		1:12	1:12	1:50	1:50
Integrated end switches		No	No	No	No

Stroke tolerance (+/- 2mm) and operating speed depending on load and voltage

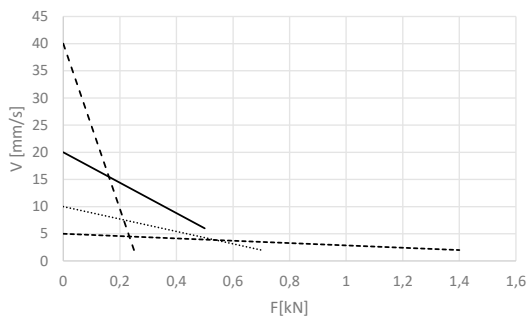
*Depends on installation position

**Related to spindle bending at safety factor SF=2

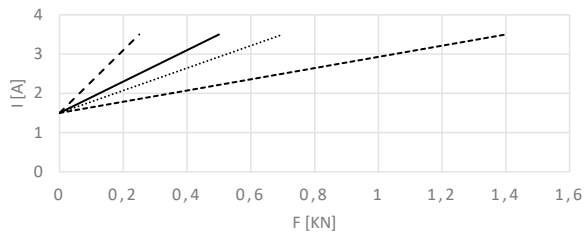
Controllers and add-on components see accessoires



TYP 100



— 100/12 TR 10 x 3 - - - 100/12 TR 10 x 6
 ····· 100/50 TR 10 x 3 - · - · 100/50 TR 10 x 6



— 100/12 TR 10 x 3 - - - 100/12 TR 10 x 6
 ····· 100/50 TR 10 x 3 - · - · 100/50 TR 10 x 6



TYP 110 D

Actuator Article number	Unit	110 D, Spindle 10x3 11DCYYYYZZZCCC24	110 D, Spindle 10x6 11DNYYYYZZZCCC24	110 D, Spindle 12x12 11DIYYYYZZZCCC24	110 D, Spindle 12x16 11DJYYYYZZZCCC24	110 D, Spindle 12x3 11DMYYYYZZZCCC24
Push force max.	N	1600	1000	800	600	1600
Pull force max. **	N	1600	1000	800	600	1600
Speed (without load)	mm/s	5	10	20	25	5
Power rating	W	30....80	30....80	30....80	30....80	30....80
Max. stroke**	mm	168	213	317	366	272
Overall length	mm	Length= Stroke + 69mm	Length= Stroke + 69mm	Length= Stroke + 69mm	Length= Stroke + 69mm	Length= Stroke + 69mm
Voltage	V/DC	12....36	12....36	12....36	12....36	12....36
Max. power input	W	200	200	200	200	200
Max. power consumption	A	1,5....8,0	1,5....8,0	1,5....8,0	1,5....8,0	1,5....8,0
Cable length	mm	200	200	200	200	200
Cycle duty (S3)	min	1 / 9 (10 %)	1 / 9 (10 %)	1 / 9 (10 %)	1 / 9 (10 %)	1 / 9 (10 %)
Environment tempera- ture	°C	0....40	0....40	0....40	0....40	0....40
Protection rate*	IP	up to 32	up to 32	up to 32	up to 32	up to 32
Isolation class	E	E	E	E	E	E
Weight (without spindle)	kg	0,75	0,75	0,75	0,75	0,75
Gear reduction		1:62	1:62	1:62	1:62	1:62
Integrated end switches		No	No	No	No	No

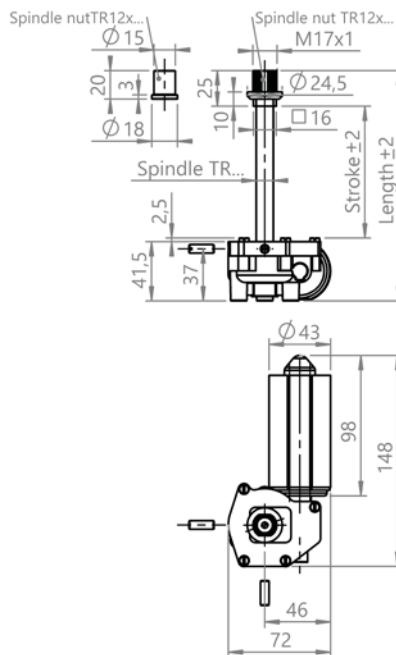
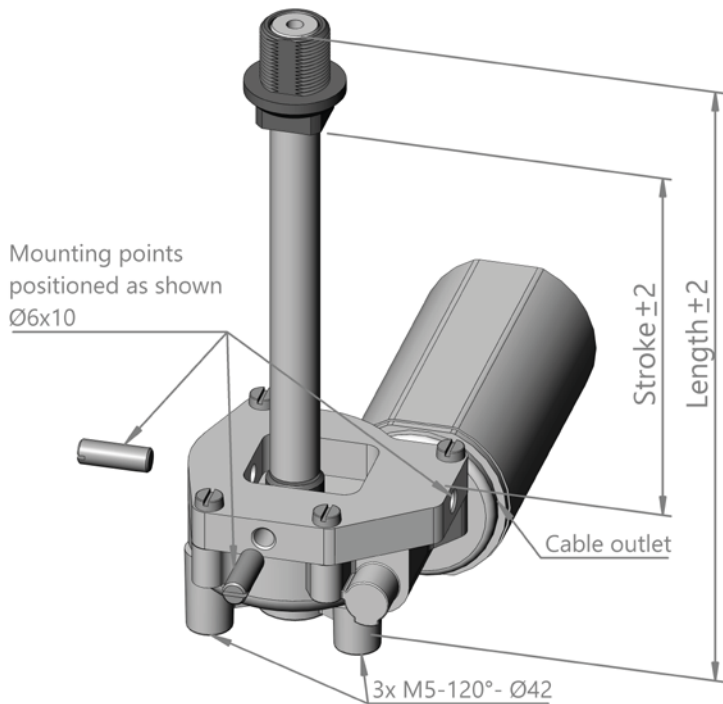
Stroke tolerance (+/- 2mm) and operating speed depending on load and voltage

*Depends on installation position

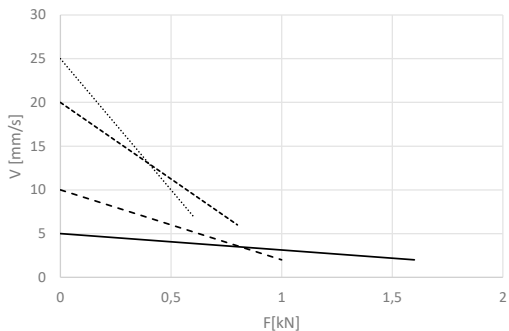
**Related to spindle bending at safety factor SF=2

Controllers and add-on components see accessories

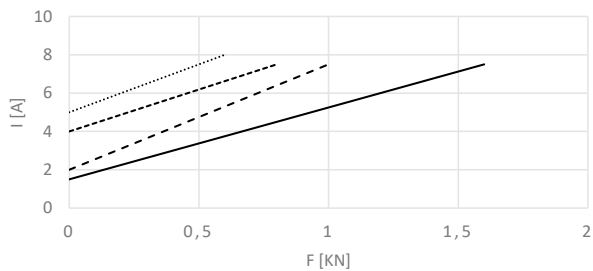
ACTUATOR TYP 110 D



TYP 110 D



— TR 10/12 x 3 - - - TR 10 x 6 ····· TR 12 x 12 ······ TR 12 x 16



— TR 10/12 x 3 - - - TR 10 x 6 ····· TR 12 x 12 ······ TR 12 x 16



TYP 110 E

Actuator		110 E, Spindle 10x3	110 E, Spindle 10x6	110 E, Spindle 12x12	110 E, Spindle 12x16	110 E, Spindle 12x16
Article number	Unit	11ECYYYYZZZDDDD24	11ENYYYYZZZDDDD24	11EJYYYYZZZDDDD24	11EJYYYYZZZDDDD24	11EJYYYYZZZDDDD24
Push force max.	N	1600	1000	800	600	1600
Pull force max. **	N	1600	1000	800	600	1600
Speed (without load)	mm/s	5	10	20	25	5
Power rating	W	30...80	30...80	30...80	30...80	30...80
Max. stroke**	mm	168	213	317	366	288
Overall length 1	mm	Length 1= Stroke + 48,5	Length 1= Stroke + 48,5	Length 1= Stroke + 48,5	Length 1= Stroke + 48,5	Length 1= Stroke + 48,5
Overall length 2	mm	Length 2= Stroke +85	Length 2= Stroke +85	Length 2= Stroke +85	Length 2= Stroke +85	Length 2= Stroke +85
Voltage	V/DC	12...36	12...36	12...36	12...36	12...36
Max. power input	W	200	200	200	200	200
Max. power consumption	A	1,5...8,0	1,5...8,0	1,5...8,0	1,5...8,0	1,5...8,0
Cable length	mm	1100	1100	1100	1100	1100
Cycle duty (S3)	min	1 / 9 (10 %)	1 / 9 (10 %)	1 / 9 (10 %)	1 / 9 (10 %)	1 / 9 (10 %)
Environment temperature	°C	0...40	0...40	0...40	0...40	0...40
Protection rate*	IP	up to 32	up to 32	up to 32	up to 32	up to 32
Isolation class		E	E	E	E	E
Weight (100mm stroke)	kg	0,75	0,75	0,75	0,75	0,75
Gear reduction		1:62	1:62	1:62	1:62	1:62
Integrated end switches		Yes	Yes	Yes	Yes	Yes

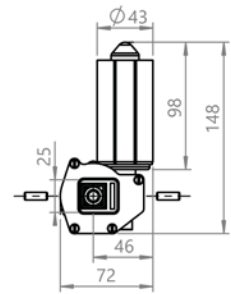
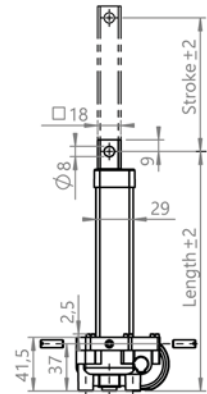
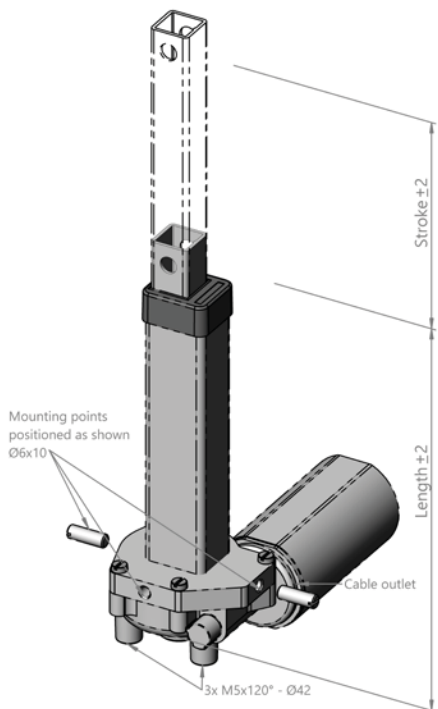
Stroke tolerance (+/- 2mm) and operating speed depending on load and voltage

*Depends on installation position

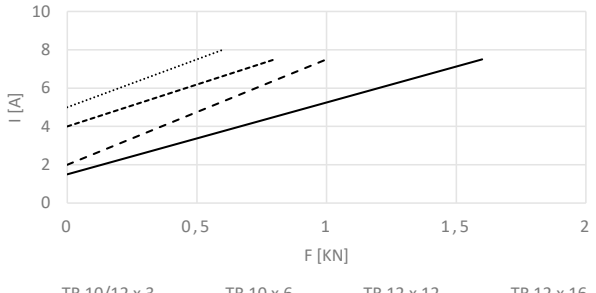
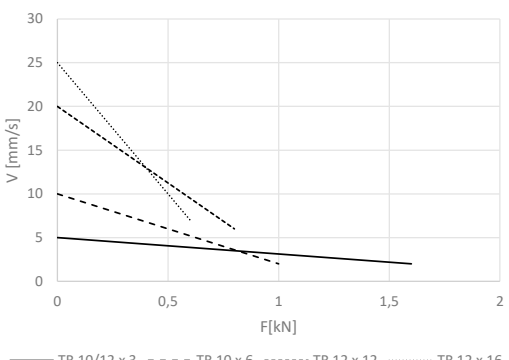
**Related to spindle bending at safety factor SF=2

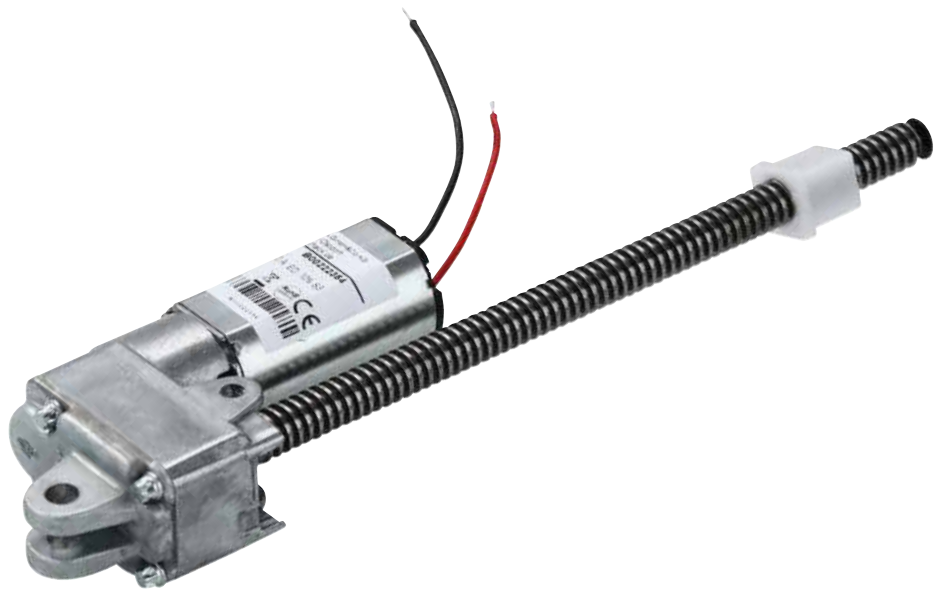
Controllers and add-on components see accessoires

ACTUATOR TYP 110 E



TYP 110 E





TYP 120 S

Actuator Article number	Unit	120 S, Spindle 10x3 12SMYYYYZZZZFFFX	120 S, Spindle 10x6*** 12SNYYYYZZZZFFFX	120 S, Spindle 12x12*** 12SIYYYYZZZZFFFX	120 S, Spindle 12x16*** 12SJYYYYZZZZFFFX
Push force 12 - 24V	N	1000	500	400	300
Pull force 12 - 24V	N	1000	500	400	300
Push force 24 - 36V	N	1200	600	500	400
Pull force 24 - 36V	N	1200	600	500	400
Speed 12 - 24V	mm/s	10	20	40	45
Speed 24 - 36V	mm/s	12	25	45	50
Power rating	W	10...40	10...40	10...40	10...40
Max. stroke**	mm	213	301	449	518
Overall length	mm	Stroke + 70mm	Stroke + 70mm	Stroke + 70mm	Stroke + 70mm
Voltage	V/DC	12...24 or 24...36	12...24 or 24...36	12...24 or 24...36	12...24 or 24...36
Max. power input	W	50...80	50...80	50...80	50...80
Max. power consumption	A	1,5...4,0	1,5...4,0	1,5...4,0	1,5...4,0
Cable length	mm	1500	1500	1500	1500
Cycle duty (S3)	min	1 / 9 (10 %)	1 / 9 (10 %)	1 / 9 (10 %)	1 / 9 (10 %)
Environment temperature	°C	0...40	0...40	0...40	0...40
Protection rate*	IP	up to 41	up to 41	up to 41	up to 41
Isolation class		E	E	E	E
Weight (without spindle)	kg	0,35	0,35	0,35	0,35
Gear reduction		1:27	1:27	1:27	1:27
Pulse travel length (1-Hall)	mm/pulse	0,1105	0,2211	0,442	0,5926
Integrated end switches		No	No	No	No

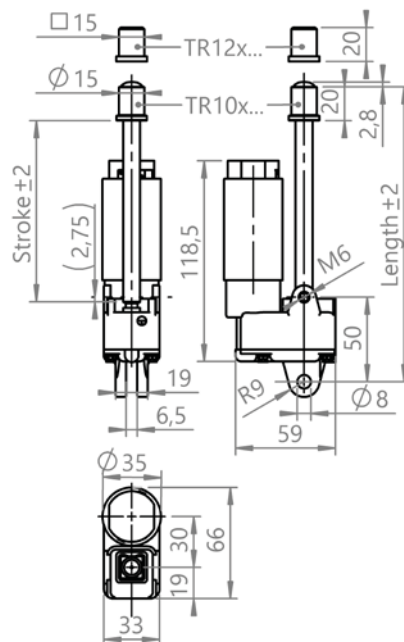
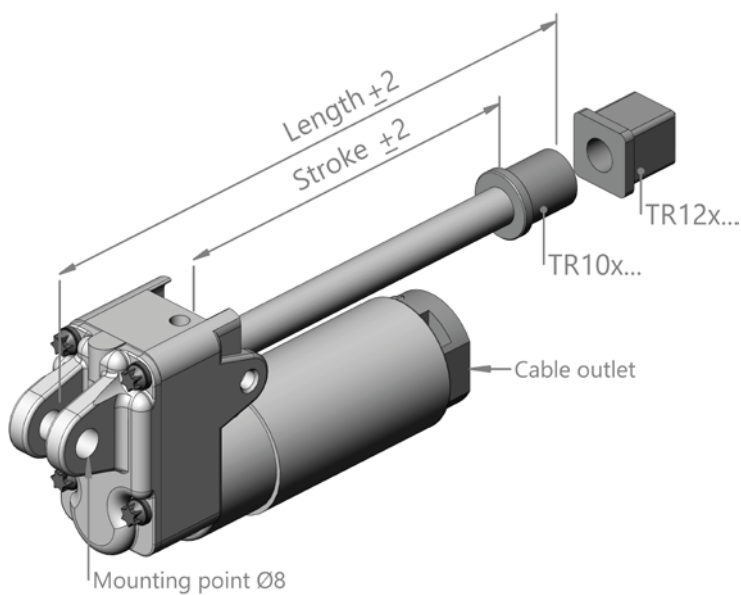
Stroke tolerance (+/- 2mm) and operating speed depending on load and voltage

*Depends on installation position

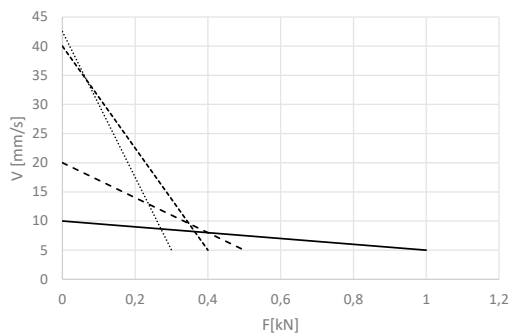
**Related to spindle bending at safety factor SF=2

*** No self-locking

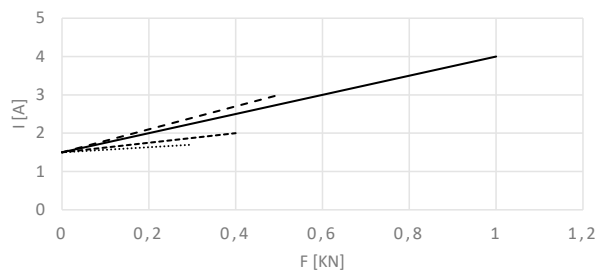
Controllers and add-on components see accessoires



TYP 120 S



— TR 10 x 3 - - - TR 10 x 6 ····· TR 12 x 12 - · - · TR 12 x 16



— TR 10 x 3 - - - TR 10 x 6 ····· TR 12 x 12 - · - · TR 12 x 16



TYP 120 SE

Actuator Article number	Unit	120 SE, Spindle 10x3 12ECYYYYZZZZGGGXX	120 SE, Spindle 10x6*** 12ENYYYYZZZZGGGXX	120 SE, Spindle 12x12*** 12EYYYYZZZZGGGXX	120 SE, Spindle 12x16*** 12EJYYYYZZZZGGGXX
Push force 12 - 24V	N	1000	500	400	300
Pull force 12 - 24V	N	1000	500	400	300
Push force 24 - 36V	N	1200	600	500	400
Pull force 24 - 36V	N	1200	600	500	400
Speed 12 - 24V	mm/s	10	20	40	45
Speed 24 - 36V	mm/s	12	25	45	50
Power rating	W	10....40	10....40	10....40	10....40
Max. stroke**	mm	213	301	449	518
Overall length 1	mm	Stroke + 100	Stroke + 100	Stroke + 100	Stroke + 100
Overall length 2	mm	Stroke + 52	Stroke + 52	Stroke + 52	Stroke + 52
Voltage	V/DC	12....24 or 24....36	12....24 or 24....36	12....24 or 24....36	12....24 or 24....36
Max. power input	W	50....80	50....80	50....80	50....80
Max. power consumption	A	1,5....4,0	1,5....4,0	1,5....4,0	1,5....4,0
Cable length	mm	1500	1500	1500	1500
Cycle duty (S3)	min	1 / 9 (10 %)	1 / 9 (10 %)	1 / 9 (10 %)	1 / 9 (10 %)
Environment temperature	°C	0....40	0....40	0....40	0....40
Protection rate*	IP	up to 41	up to 41	up to 41	up to 41
Isolation class		E	E	E	E
Weight (100mm stroke)	kg	0,4	0,4	0,4	0,4
Gear reduction		1:27	1:27	1:27	1:27
Pulse travel length (1-Hall)	mm/pulse	0,1105	0,2211	0,442	0,5926
Integrated end switches		Yes	Yes	Yes	Yes

Stroke tolerance (+/- 2mm) and operating speed depending on load and voltage

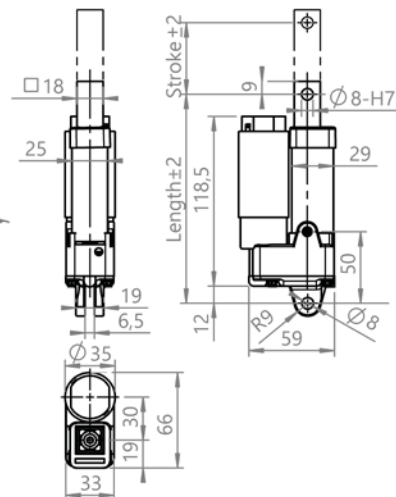
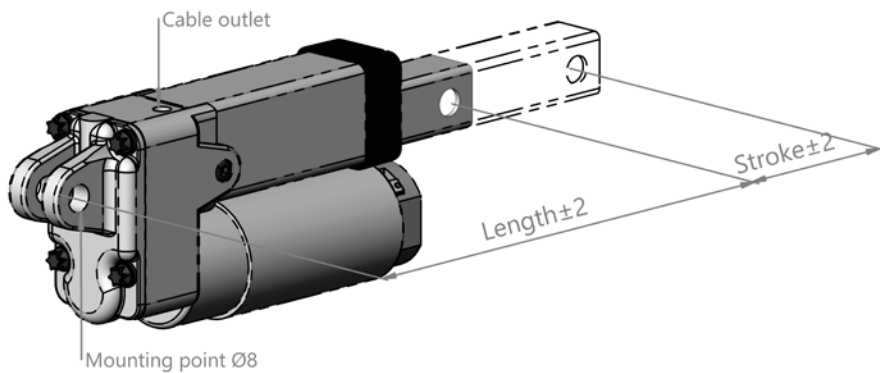
*Depends on installation position

**Related to spindle bending at safety factor SF=2

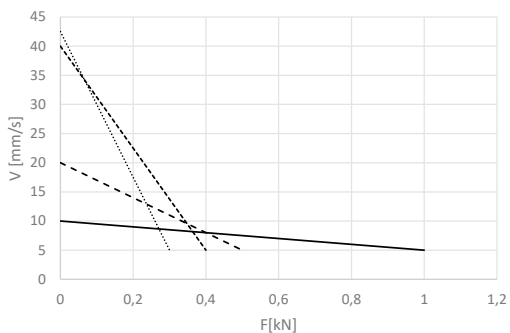
*** No self-locking

Controllers and add-on components see accessoires

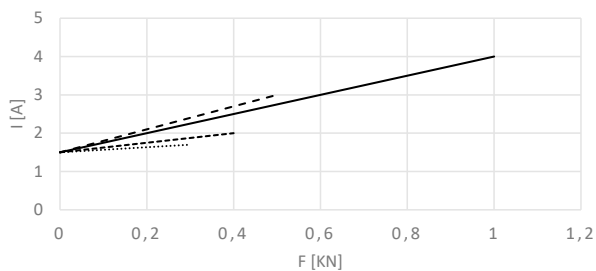
ACTUATOR TYP 120 SE



TYP 120 SE



— TR 10 x 3 - - - TR 10 x 6 ····· TR 12 x 12 - · - · TR 12 x 16



— TR 10 x 3 - - - TR 10 x 6 ····· TR 12 x 12 - · - · TR 12 x 16



TYP 200 S

Actuator Article number	Unit	200 S, Spindle 16x2 20SAYYYYZZZZLLL24	200 S, Spindle 16x3,6 20SDYYYYZZZZLLL24	200 S, Spindle 16x4 20SEYYYYZZZZLLL24	200 S, Spindle 16x8*** 20SGYYYYZZZZLLL24
Push force max.	N	6000	6000	5400	2700
Pull force max. **	N	6000	6000	5400	2700
Speed (without load)	mm/s	6,8	12,3	13,6	27,2
Power rating	W	50....150	50....150	50....150	50....150
Max. stroke**	mm	375	272	287	406
Overall length 1	mm	Length 1= Stroke+160	Length 1= Stroke+160	Length 1= Stroke+160	Length 1= Stroke+160
Overall length 2	mm	Length 2= Stroke+130	Length 2= Stroke+130	Length 2= Stroke+130	Length 2= Stroke+130
Voltage	V/DC	24....48	24....48	24....48	24....48
Max. power input	W	300	300	300	300
Max. power consumption	A	2....12	2....12	2....12	2....12
Cable length	mm	1000	1000	1000	1000
Cycle duty (S3)	min	1 / 9 (10 %)	1 / 9 (10 %)	1 / 9 (10 %)	1 / 9 (10 %)
Environment temperature	°C	0....40	0....40	0....40	0....40
Protection rate*	IP	up to 54	up to 54	up to 54	up to 54
Isolation class		E	E	E	E
Weight (100mm stroke)	kg	2,2	2,2	2,2	2,2
Gear reduction		1:20,25	1:20,25	1:20,25	1:20,25
Pulse travel length (2-Hall)	mm/pulse	0,0989	0,1778	0,1975	0,3951
Integrated end switches		Yes	Yes	Yes	Yes

Stroke tolerance (+/- 2mm) and operating speed depending on load and voltage

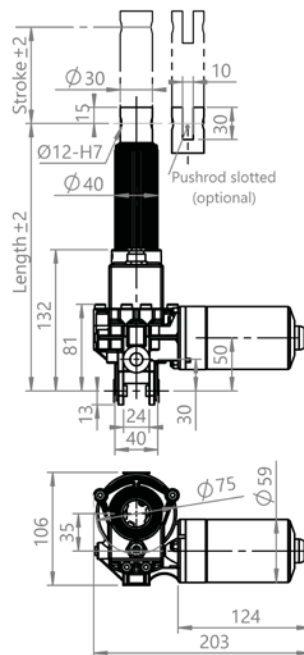
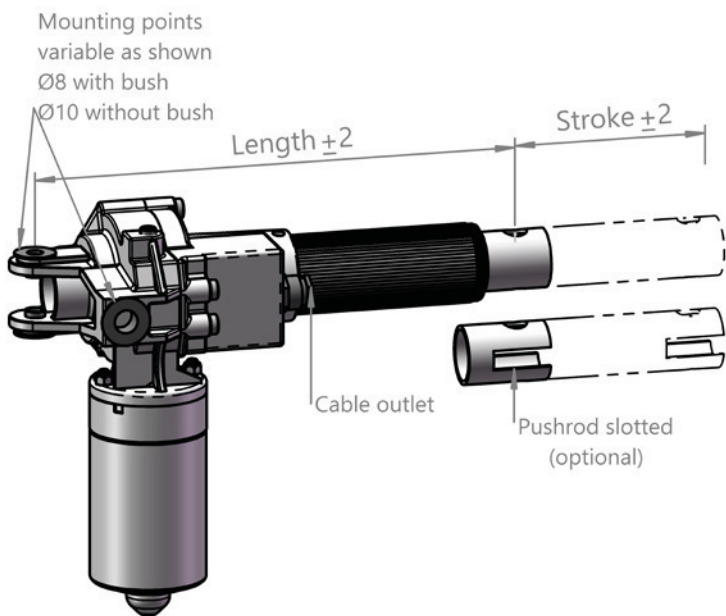
*Depends on installation position

**Related to spindle bending at safety factor SF=2

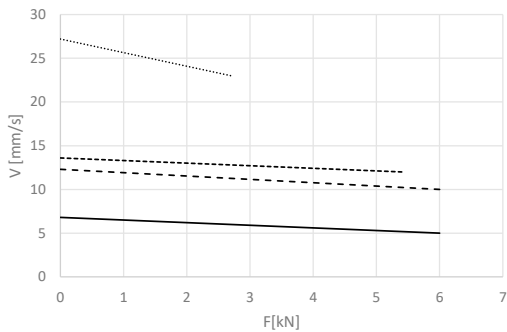
*** No self-locking

Controllers and add-on components see accessoires

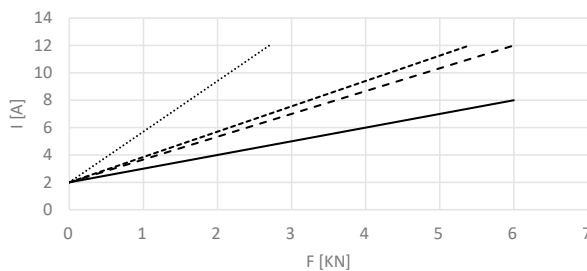
ACTUATOR TYP 200 S



TYP 200 S



— TR 16 x 2 - - - TR 16 x 3,6 - · - · - TR 16 x 4 ····· TR 16 x 8



— TR 16 x 2 - - - TR 16 x 3,6 - · - · - TR 16 x 4 ····· TR 16 x 8



TYP 200 KS

Actuator Article number	Unit	200 KS, Spindle 16x2 2KSAYYYYYZZZZNNNN24	200 KS, Spindle 16x3,6 2KSDYYYYZZZZNNNN24	200 KS, Spindle 16x4 2KSEYYYYZZZZNNNN24	200 KS, Spindle 16x8*** 2KSGYYYYZZZZNNNN24
Push force max.	N	6000	6000	5400	2700
Pull force max. **	N	6000	6000	5400	2700
Speed (without load)	mm/s	6,8	12,3	13,6	27,2
Power rating	W	50....150	50....150	50....150	50....150
Max. stroke**	mm	375	272	287	406
Overall length w/o. rod eye	mm	Stroke + 90	Stroke + 90	Stroke + 90	Stroke + 90
Overall length with rod eye	mm	Stroke + 115	Stroke + 115	Stroke + 115	Stroke + 115
Voltage	V/DC	24....48	24....48	24....48	24....48
Max. power input	W	300	300	300	300
Max. power consumption	A	2....12	2....12	2....12	2....12
Plug type		Blade terminal 6,3x0,8	Blade terminal 6,3x0,8	Blade terminal 6,3x0,8	Blade terminal 6,3x0,8
Cycle duty (S3)	min	1 / 9 (10 %)	1 / 9 (10 %)	1 / 9 (10 %)	1 / 9 (10 %)
Environment temperature	°C	0....40	0....40	0....40	0....40
Protection rate*	IP	up to 54	up to 54	up to 54	up to 54
Isolation class		E	E	E	E
Weight (without spindle)	kg	2,2	2,2	2,2	2,2
Gear reduction		1:20,25	1:20,25	1:20,25	1:20,25
Pulse travel length (2-Hall)	mm/pulse	0,0989	0,1778	0,1975	0,3951
Integrated end switches		No	No	No	No

Stroke tolerance (+/- 2mm) and operating speed depending on load and voltage

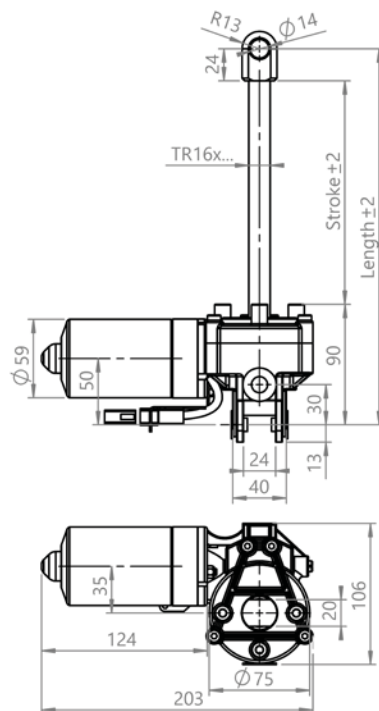
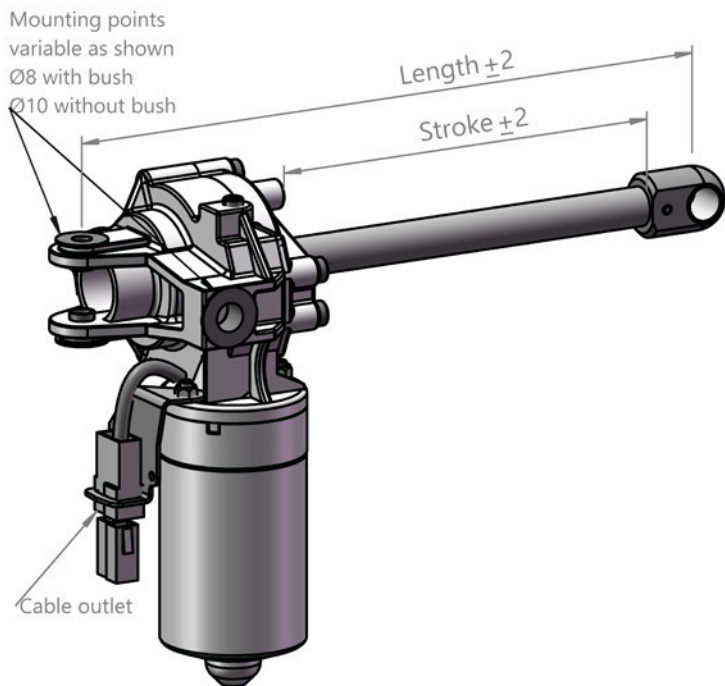
*Depends on installation position

**Related to spindle bending at safety factor SF=2

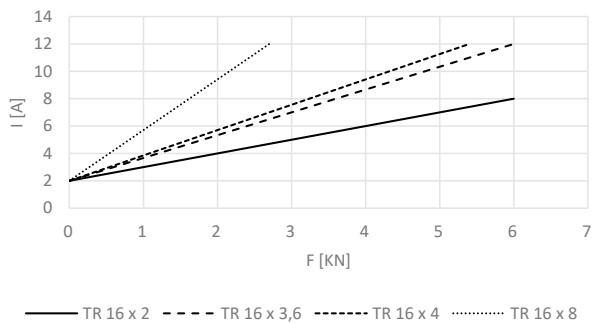
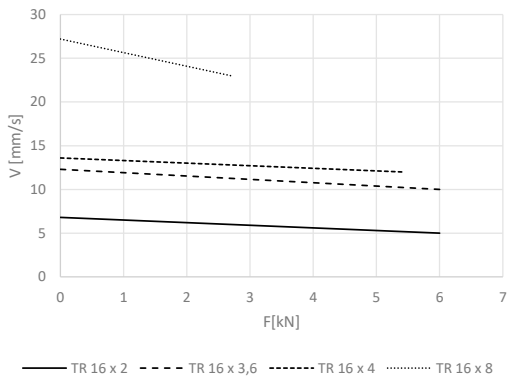
*** No self-locking

Controllers and add-on components see accessoires

ACTUATOR TYP 200 KS



TYP 200 KS



TYP DR-HM D



Actuator Article number	Unit	DR-HM D, Spindle 16x2 DRDAYYYYYZZZZKKK24	DR-HM D, Spindle 16x4 DRDEYYYYZZZZKKK24	DR-HM D, Spindle 16x8*** DRDGYYYYYZZZZKKK24
Push force max.	N	3000	3000	1500
Pull force max. **	N	3000	3000	1500
Speed (without load)	mm/s	4	8	16
Power rating	W	20....60	20....60	20....60
Max. stroke**	mm	531	385	545
Overall length	mm	Stroke +100	Stroke +100	Stroke +100
Voltage	V/DC	24....36	24....36	24....36
Max. power input	W	100....150	100....150	100....150
Max. power consumption	A	1,5....5,0	1,5....5,0	1,5....5,0
Cable length	mm	200	200	200
Cycle duty (S3)	min	1 / 9 (10 %)	1 / 9 (10 %)	1 / 9 (10 %)
Environment temperature	°C	0....40	0....40	0....40
Protection rate*	IP	up to 32	up to 32	up to 32
Isolation class		E	E	E
Weight (without spindle)	kg	1,3	1,3	1,3
Gear reduction		1:35	1:35	1:35
Pulse travel length (1-Hall)	mm/pulse	0,0572	0,1143	0,2286
Integrated end switches		No	No	No

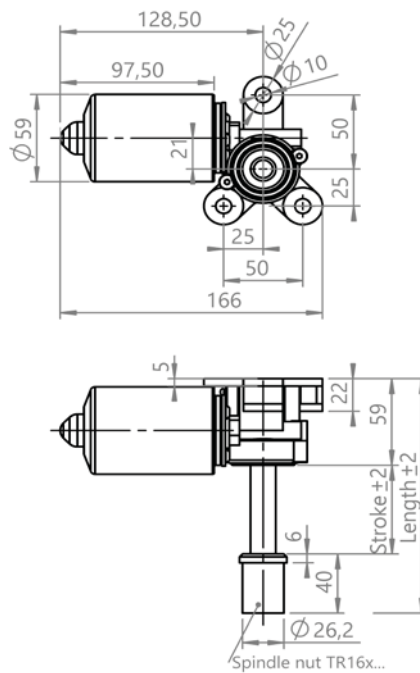
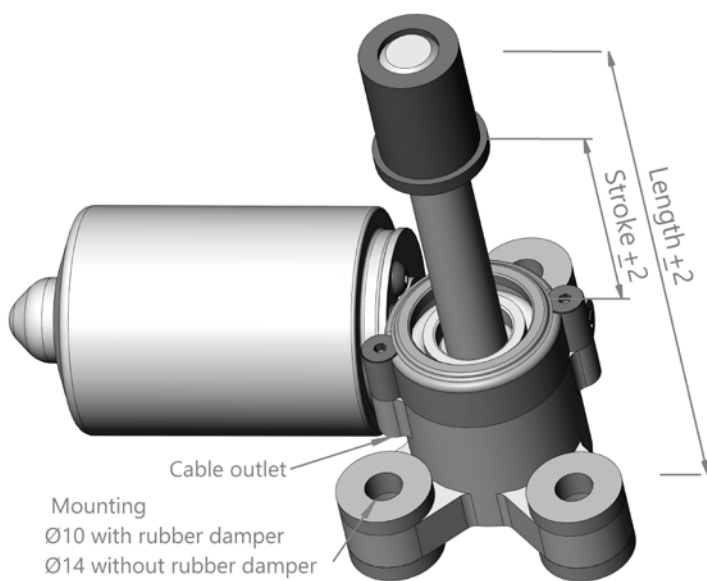
Stroke tolerance (+/- 2mm) and operating speed depending on load and voltage

*Depends on installation position

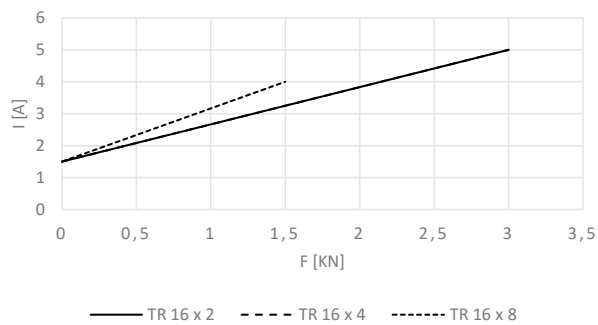
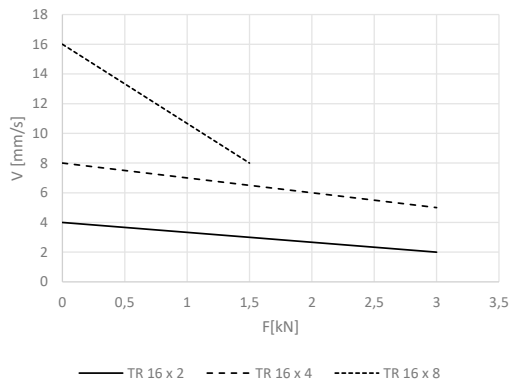
**Related to spindle bending at safety factor SF=2

*** No self-locking

Controllers and add-on components see accessoires



TYP DR-HM D





TYP Koax D

Actuator Article number	Unit	Koax D, Spindle 12x3 KDDMYYYYYZZZO024	Koax D, Spindle 12x6*** KDDFYYYYYZZZO024	Koax D, Spindle 12x12*** KDDIYYYYZZZO024	Koax D, Spindle 12x16*** KDDJYYYYZZZO024
Push force max.	N	1800	1500	1200	800
Pull force max. **	N	1200	1000	1000	800
Speed (without load)	mm/s	8	15	25	35
Power rating	W	30...80	30...80	30...80	30...80
Max. stroke**	mm	272	298	259	317
Overall length	mm	Stroke + 215mm	Stroke + 215mm	Stroke + 215mm	Stroke + 215mm
Voltage	V/DC	12...24	12...24	12...24	12...24
Max. power input	W	< 200	< 200	< 200	< 200
Max. power consumption	A	1,5...5,0	1,5...5,0	1,5...5,0	1,5...5,0
Cable length/Plug type	mm	2600/Plug 8-pin MAS 80S	2600/Plug 8-pin MAS 80S	2600/Plug 8-pin MAS 80S	2600/Plug 8-pin MAS 80S
Cycle duty (S3)	min	1 / 9 (10 %)	1 / 9 (10 %)	1 / 9 (10 %)	1 / 9 (10 %)
Environment temperature	°C	0...40	0...40	0...40	0...40
Protection rate*	IP	up to 42	up to 42	up to 42	up to 42
Isolation class		E	E	E	E
Weight (without spindle)	kg	0,9	0,9	0,9	0,9
Gear reduction		1:35	1:35	1:35	1:35
Pulse travel length (2-Hall)	mm/pulse	0,0857	0,1714	0,3429	0,4571
Integrated end switches		optional	optional	optional	optional

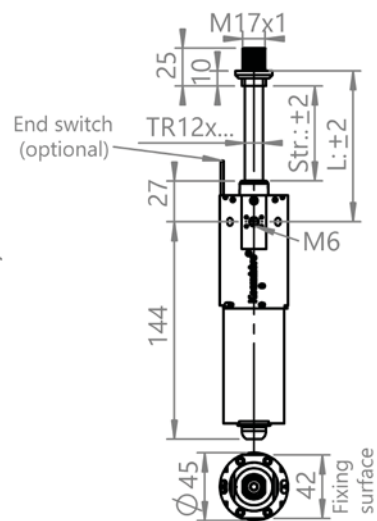
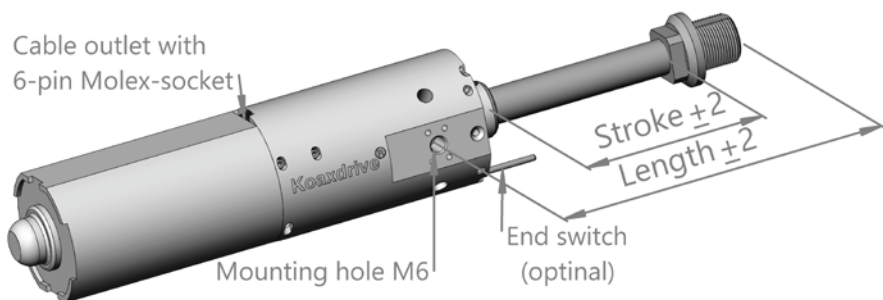
Stroke tolerance (+/- 2mm) and operating speed depending on load and voltage

*Depends on installation position

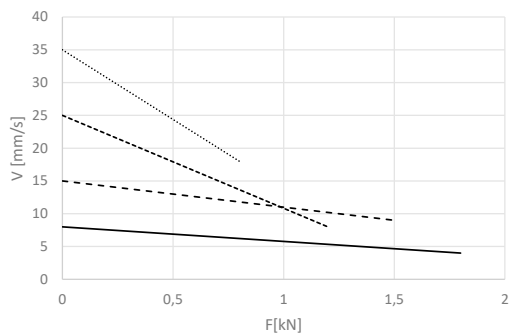
**Related to spindle bending at safety factor SF=2

*** No self-locking

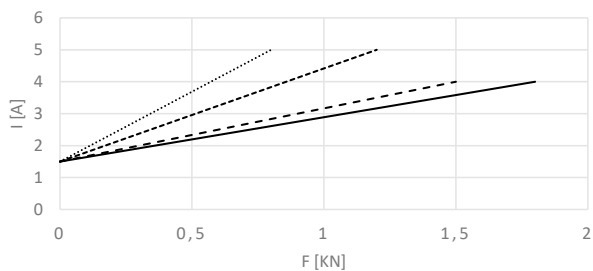
Controllers and add-on components see accessoires



TYP Koax D



— TR 12 x 3 - - - TR 12 x 6 ····· TR 12 x 12 - · - · TR 12 x 16



— TR 12 x 3 - - - TR 12 x 6 ····· TR 12 x 12 - · - · TR 12 x 16



TYP Koax E

Actuator Article number	Unit	Koax E, Spindle 12x3 KDEMYYYYYZZZPPP24	Koax E, Spindle 12x6*** KDEFYYYYZZZPPP24
Push force max.	N	1800	1500
Pull force max. **	N	1200	1000
Speed (without load)	mm/s	8	15
Power rating	W	30...80	30...80
Max. stroke**	mm	272	298
Overall length 1	mm	Stroke + 82	Stroke + 82
Overall length 2	mm	Stroke +226	Stroke +226
Voltage	V/DC	12...24	12...24
Max. power input	W	< 200	< 200
Max. power consumption	A	1,5...5,0	1,5...5,0
Cable length/Plug type	mm	2600/Plug 8-pin MAS 80S	2600/Plug 8-pin MAS 80S
Cycle duty (S3)	min	1 / 9 (10 %)	1 / 9 (10 %)
Environment temperature	°C	0...40	0...40
Protection rate*	IP	up to 42	up to 42
Isolation class		E	E
Weight (100mm stroke)	kg	1,5	1,5
Gear reduction		1:35	1:35
Pulse travel length (2-Hall)	mm/pulse	0,0857	0,1714
Integrated end switches		Yes	Yes

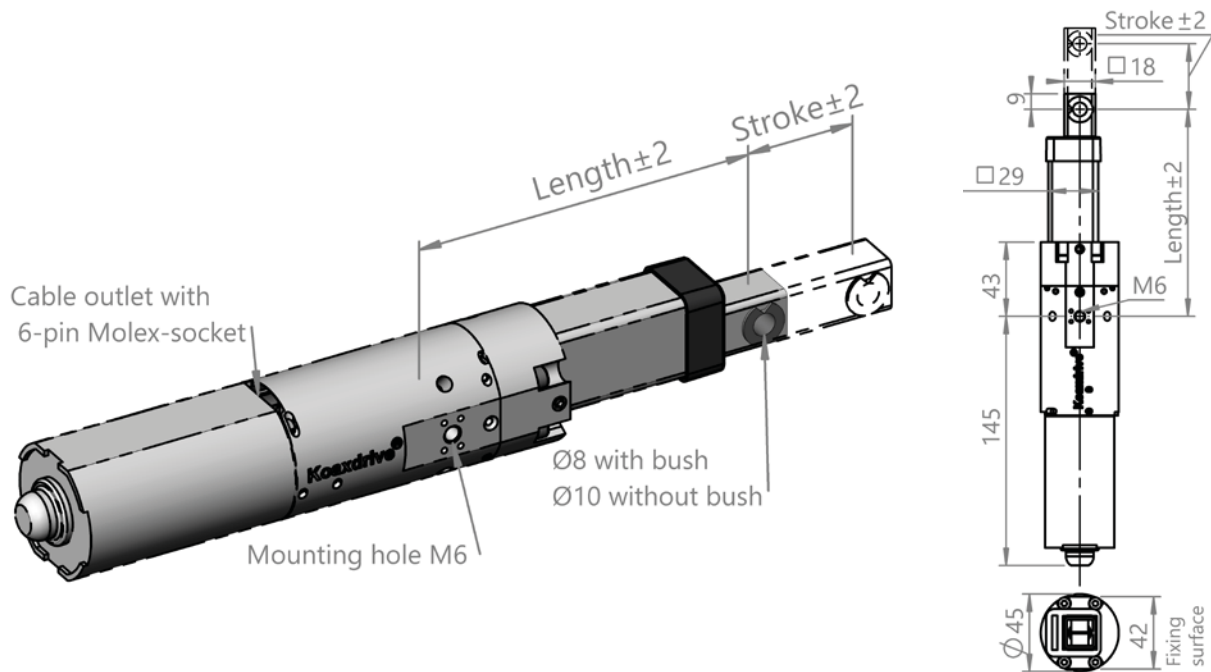
Stroke tolerance (+/- 2mm) and operating speed depending on load and voltage

*Depends on installation position

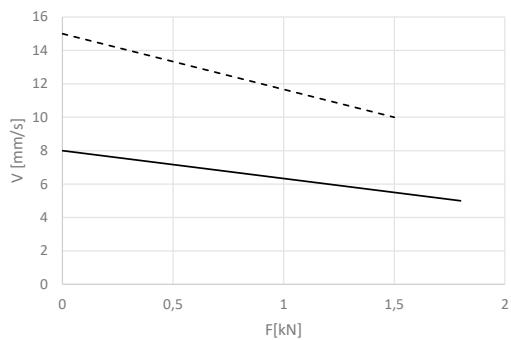
**Related to spindle bending at safety factor SF=2

*** No self-locking

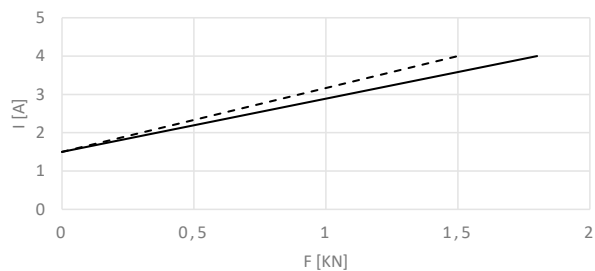
Controllers and add-on components see accessoires



TYP Koax E



— TR 12 x 3 - - - TR 12 x 6 ······ #REF! ······ #REF!



— TR 12 x 3 - - - TR 12 x 6

Controller Compact



Controller SMART eco



Controller SCT



Controller SY 1 mini



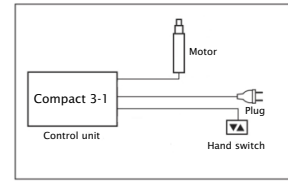
Controller Syncontrol



Controller Compact 3-1

for one motor/lifter

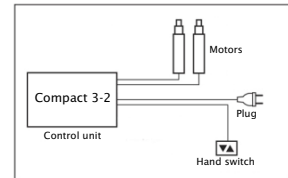
For one motor



Controller Compact 3-2

for two motors/lifters or 4x Compact 3-2 linked for synchronous operation of 8 motors/lifters

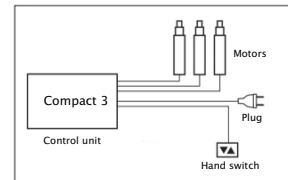
For two motors



Controller Compact 3-3

for three motors/lifters or 4x Compact 3-3 linked for synchronous operation of 12 motors/lifters

For three motors



Controllers Article number	Unit	Compact 3-1 MAS: COM1-XX-S-78-EU MOLEX: COM1-XX-S-7M-EU	Compact 3-2 COM2-XX-S-78-EU COM2-XX-S-7M-EU	Compact 3-3 COM3-XX-S-78-EU COM3-XX-S-7M-EU
Technical data				
Output power	VA	360	360	360
Input voltage	VAC	230	230	230
Power consumption	A	1,6	1,6	1,6
Frequency	Hz	50	50	50
Protection class		I	I	I
Protection rate IP		20	20	20
Output voltage	VDC	24	24	24
Motor channels		1	2	3
Duty cycle		1 / 9 (10 %)	1 / 9 (10 %)	1 / 9 (10 %)
Power supply electronics	VDC/mA	5 / 250	5 / 250	5 / 250
Power supply standby	VDC/mA	5 / 004	5 / 004	5 / 004
Standby power input	W	< 0,3	< 0,3	< 0,3
Number of controllers linkable		max. 4	max. 4	max. 4
Weight	kg	0,523	0,523	0,523
Size	mm	264x103x37	264x103x37	264x103x37
Plug type / Cable length				
Power supply cable	m	3	3	3
Output Motor		MAS 80 S/Molex MiniFit	MAS 80 S/Molex MiniFit	MAS 80 S/Molex MiniFit
Output Manual switch		MAS 70 S	MAS 70 S	MAS 70 S

*110V-Version on demand

**Manual switch
 HS-Baseline LD/7**



Article number	HS Baseline LD7
Mounting	Hook
Keys up/down	2 keys
Memory	No
Display	No
Cable length	Coiled cord 1,5m - 2,8m
Useable with controllers	Compact/SYmini/Smart
Motor groups	1
Plug type	MAS 70

**Manual switch
 HSX-OD-2-LD**



Article number	HSX-OD-2-LD
Mounting	Under desk mounting
Keys up/down	2 keys
Memory	No
Display	No
Cable length	Coiled cord 1,5m - 2,8m
Useable with controllers	SCT
Motor groups	1
Plug type	MAS 60

**Manual switch
 HSE-MDF-2-LD**



Article number	HSE-MDF-2-LD
Mounting	Build-in D = 55mm
Keys up/down	2 keys
Memory	No
Display	3-digit LCD
Cable length	1,9m
Useable with controllers	Compact/SYmini/Smart
Motor groups	1
Plug type	MAS 70

**Manual switch
 HSU-MDF-4M2-LD**



Article number	HSU-MDF-4M2-LD
Mounting	Under desk mounting
Keys up/down	2 keys
Memory	4 positions
Display	3-digit LCD
Cable length	1,6m
Useable with controllers	Compact/SYmini/Smart
Motor groups	2
Plug type	MAS 70

Infrared-Remote Control



Article number	IRR-DSK-Set-Light
Keys	4
Memory	2 positions
Display	No
Motor groups	max. 2
Content	Controller and receiver
Useable with controller type	Compact/SY1mini/Smart
Cable length	1,8m
Frequenz	None
Plug type	MAS 70

RC-Remote Control



Article number	RFU/CDs2-RB01-1D-LD
Keys	2
Memory	No
Display	No
Motor groups	1
Content	Controller and receiver
Useable with controller type	Compact/SY1mini/Smart
Cable length	1,8m
Frequenz	869,85 MHz
Plug type	MAS 70

**Manual switch
TOUCHinlay-KL-LD**



Article number	TOUCHinlay-LD
Mounting	Build-in
Keys up/down	2
Memory	4 positions
Display	4-digit LCD
Cable length	1,8m
Useable with controllers	Compact/SYmini/Smart
Features	Key Lock
Motor groups	2
Plug type	MAS 70

**Manual switch
TOUCHbasic DN**



Article number	TOUCHbasic DN
Mounting	Under desk mounting
Keys up/down	2
Memory	No
Display	No
Cable length	2,2m
Useable with controllers	Compact/SYmini/Smart
Features	None
Motor groups	1
Plug type	MAS 70

**Manual switch
TOUCHbasic IL**



Article number	TOUCHbasic IL
Mounting	Build-in
Keys up/down	2
Memory	No
Display	No
Cable length	1,8m
Useable with controllers	Compact/SYmini/Smart
Features	None
Motor groups	1
Plug type	MAS 70

**Manual switch
TOUCHfx-KL-LD**



Article number	TOUCHfx-LD
Mounting	Under desk mounting
Keys up/down	2
Memory	4 positions
Display	4-digit LCD
Cable length	2,2m
Useable with controllers	Compact/SYmini/Smart
Features	Key Lock
Motor groups	2
Plug type	MAS 70

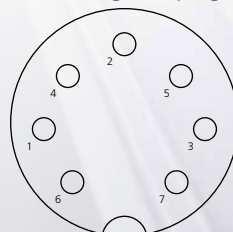
Foot switch



Article number	EL-Fuss LD/7
Keys	2
Memory	No
Display	No
Motor groups	1
Content	
Useable with controller type	Compact/SY1mini/Smart/SCT
Cable length	Coiled cord max. 1,7m
Frequenz	None
plug	MAS 70

**Manual switch
Compact / SY**

Soldering side plug



MAS70S DIN 45329

Code	HS 1	HS 2	HS 3	HS 4
Up	1	0	0	0
Down	0	1	0	0
Memo	0	1	1	0
Pos 1	0	0	1	0
Pos 2	0	0	0	1
Pos 3	0	1	0	1
Pos 4	0	1	1	0
Pos 5	0	1	0	1
Pos 6	0	1	1	1

Configuration

- 1 = Rx/D
- 2 = HS 3
- 3 = HS 1
- 4 = HS 4
- 5 = HS 2
- 6 = Tx/D
- 7 = +5V

Power supply cable

Article number	LOG-CBL-PWK
Application	Connecting controller to power supply
Cable length	3 m
Pins	3
Cable plug	EU - power plug



Manual switch extension cable

Article number	ACS-CBL-HS-LD
Application	Connecting hand switch to controller
Cable length	1,0m
Cable plug	MAS 70

max. 3 cables (length 3,0m)



Motor connecting cable Molex to MAS

Article number	LOG-CBL-ADAP-Mot-ELS
Application	Connecting motor/lifter to controller
Cable length	0,2m
Cable plug	MAS 80S/Molex Mini Fit 4.2mm plug



Motor connecting cable Molex to MAS

Article number	ACS-CBL-Mot-1,5m
Application	Connecting motor/lifter to controller
Cable length	1,5m
Cable plug	MAS 80

max. 3 cables (length 4,5m)



Motor connecting cable MAS to Molex

Article number	LOG-CBL-ADAP-INV-Mot
Application	Connecting motor/lifter to controller
Cable length	0,2m
Cable plug	MAS 80S/Molex Mini Fit 4.2mm plug



Motor extension cable Molex

Article number	LOG-CBL-MOT-ELS2-1.2
Application	Connecting motor/lifter to controller
Cable length	1,2m
Cable plug	Molex Mini Fit 4.2mm plug/socket



Hand switch split cable

Article number	ACS-CBL-HSY
Application	Connection two hand switches to controller
Cable length	0,2m
Cable plug	MAS 70



Link cable for two controllers

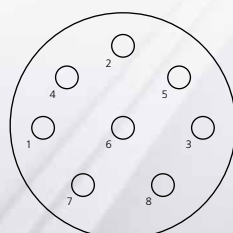
Article number	ACS-CBL-HT-SYNC-500
Application	Linking/Connection
Number linkable controllers	2
Controller type	Compact
Length	0,5m



Motor cable Compact/SY/SCT

1. a. 7 = Motor + (-), (yellow) up/down
2. a. 4 = Motor - (+), (grey) up/down
- 5 = Hall Transmitter Gnd (brown)
- 3 = Hall Transmitter + 5 V (white)
- 8 = Hall Transmitter 1 open collector output (green)
- 6 = Hall Transmitter 2 open collector output (blue)

Soldering side plug



MAS80S DIN 41524

Link cable for four controllers

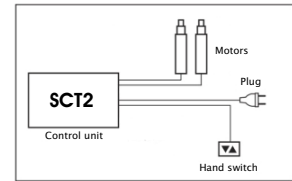
Article number	ACS-CBL-HT-SYNC-1500
Application	Linking/Connection
Number linkable controllers	max. 4
Controller type	Compact
Length	1,5m



Controller SCT 2

for two motors/lifters

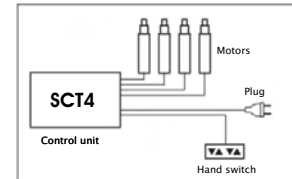
For two motors



Controller SCT 4

for up to four motors/lifters

For four motors



Controllers Article number	Unit	SCT2 SCT2-SK-T-68-EU	SCT4 SCT4-SK-T-68-EU
Technical datas			
Output power	VA	280	280
Input voltage	VAC	230	230
Frequency	Hz	50	50
Protection class		II	II
Protection rate IP		30	30
Output voltage	VDC	24	24
Motor channels		2	4
Duty cycle		1 / 9 (10 %)	1 / 9 (10 %)
Power supply electronics	VDC	5	5
Number of controllers linkable		max. 4	max. 4
Weight	kg	2,4	3,1
Size	mm	257x120x60	257x120x60
Plug type / Cable length			
Power supply cable	mm	2	2
Output Motor		MAS 80 S	MAS 80 S
Output Manual switch		MAS 50 S	MAS 50 S

**Manual switch
HS-Baseline VD/6**



Article number	HS Baseline VD6
Mounting	Hook
Keys up/down	2 keys
Memory	No
Display	No
Cable length	Coiled cord 1,5m - 2,8m
Useable with controllers	SCT
Motor groups	1
Plug type	MAS 60

**Manual switch
UBM/2-F-C070**



Article number	UBM/2-F-C070
Mounting	Under desk mounting
Keys up/down	2
Memory	No
Display	No
Cable length	1,8m
Useable with controllers	SCT
Motor groups	1
Plug type	MAS 60

**Manual switch
EBS/2-R**



Article number	EBS/2-R
Mounting	Build - in
Keys up/down	2
Memory	No
Display	No
Cable length	1,8m
Useable with controllers	SCT
Motor groups	1
Plug type	MAS 60

**Manual switch
THD/Medis-C71**



Article number	THD/MEDIS-C71
Mounting	Under desk / retractable
Keys up/down	4
Memory	3 positions
Display	4-digit LCD
Cable length	1,8m
Useable with controllers	SCT
Motor groups	2
Plug type	MAS 60

RC-Remote Control



Article number	RFU/CDs2-RB01-1D-VD
Keys	2
Memory	No
Display	No
Motor groups	1
Content	Controller and receiver
Useable with controller type	SCT
Cable length	1,8m
Frequenz	869,85 MHz
Steckerart	MAS 60

Foot switch



Article number	EL-Fuss VD/6
Keys	2
Memory	No
Display	No
Motor groups	1
Content	
Useable with controller type	Compact/SY1mini/Smart/SCT
Cable length	Coiled cord max. 1,7m
Frequenz	None
Steckerart	MAS 70

**Power supply
Controller**



Article number	LOG-CBL-PWK-EU
Application	Connecting controller to power supply
Cable length	2 m
Poles	2
Plug type	EU - power plug

**Hand switch
extension cable**



Article number	ACS-CBL-HS-VD
Application	Connects manual switch and controller
Cable length	1,0m
Useable with controller type	SCT
Useable with manual switch	UBM/2-p, EBS/2-R, THD/Me-dis-C71
Plug type	MAS 70

**Motor extension
cable MAS**



Article number	ACS-CBL-Mot-1,5m
Application	Connects motor and controller
Cable length	1,5m
Useable with controller type	Compact/SCT/SYmini/Smart
Plug type	MAS 80

Link cable

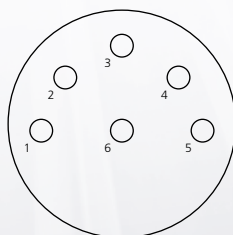


Article number	Linkkabel VD
Application	Linking/Connection
Number linkable controllers	2
Controller type	SCT
Length	0,4m

Manual switch SCT (w/o Memory)

- 1 = n.c.
- 2 = n.c.
- 3 = common
- 4 = n.c.
- 5 = down Motor
- 6 = up Motor

Soldering side plug

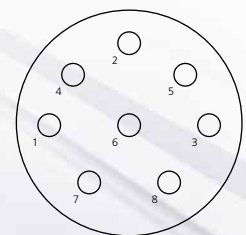


MAS60S

Motor cable Compact / SY / SCT

- 1. a. 7 = Motor + (-), (yellow) up/down
- 2. a. 4 = Motor - (+), (grey) up/down
- 5 = Hall Transmitter Gnd (brown)
- 3 = Hall Transmitter + 5 V (white)
- 8 = Hall Transmitter 1 open collector output (green)
- 6 = Hall Transmitter 2 open collector output (blue)

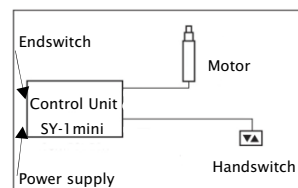
Soldering side plug



MAS80S DIN 41524

Controller SY 1 mini

for one motor/lifter



Controllers Article number	Unit	SY1 mini, with power supply 27V SYM1-ON-S-78-27	SY1 mini, no power supply 27V SYM1-ON-O-78-27	SY1 mini, with power supply 12V SYM1-ON-S-78-12	SY1 mini, no power supply 12V SYM1-ON-O-78-12
Technical datas					
Output power	VA	180	180	180	180
Input voltage	VDC	12-36	12-36	12-36	12-36
Output voltage	VDC	27	27	12	12
Power consumption	A	max 5,0	max 5,0	max 5,0	max 5,0
Protection class		II	II	II	II
Protection rate IP		20	20	20	20
Motor channels		1	1	1	1
Duty cycle		1 / 9 (10 %)	1 / 9 (10 %)	1 / 9 (10 %)	1 / 9 (10 %)
Weight	kg	0,075	0,37	0,075	0,37
Size	mm	95,6 x 55,4 x 30,5	95,6 x 55,4 x 30,5	95,6 x 55,4 x 30,5	95,6 x 55,4 x 30,5
Plug type					
Output - Motor		MAS 80 S	MAS 80 S	MAS 80 S	MAS 80 S
Output - Manual switch		MAS 70 S	MAS 70 S	MAS 70 S	MAS 70 S
Output - End switch		MAS 50 S (optional)	MAS 50 S (optional)	MAS 50 S (optional)	MAS 50 S (optional)
Power supply		DC power connector 2,5mm	DC power connector 2,5mm	DC power connector 2,5mm	DC power connector 2,5mm

CONTROLLER SY 1 MINI - MANUAL SWITCH

Manual switch HS-Baseline LD/7



Article number	HS Baseline LD7
Mounting	Hook
Keys up/down	2 keys
Memory	No
Display	No
Cable length	Coiled cord 1,5m - 2,8m
Useable with controllers	Compact/SYmini/Smart
Motor groups	1
Plug type	MAS 70

Manual switch TOUCHbasic DN



Article number	TOUCHbasic DN
Mounting	Under desk mounting
Keys up/down	2
Memory	No
Display	No
Cable length	2,2m
Useable with controllers	Compact/SYmini/Smart
Features	None
Motor groups	1
Plug type	MAS 70

Manual switch TOUCHbasic IL



Article number	TOUCHbasic IL
Mounting	Build-in
Keys up/down	2
Memory	No
Display	No
Cable length	1,8m
Useable with controllers	Compact/SYmini/Smart
Features	None
Motor groups	1
Plug type	MAS 70

Manual switch HSX-OD-2-LD



Article number	HSX-OD-2-LD
Mounting	Under desk mounting
Keys up/down	2 keys
Memory	No
Display	No
Cable length	1,6m
Useable with controllers	Compact/SYmini/Smart
Motor groups	1
Plug type	MAS 70

Manual switch HSE-MDF-2-LD



Article number	HSE-MDF-2-LD
Mounting	Build-in D = 55mm
Keys up/down	2 keys
Memory	No
Display	3-digit LCD
Cable length	1,9m
Useable with controllers	Compact/SYmini/Smart
Motor groups	1
Plug type	MAS 70

Foot switch



Article number	EL-Fuss LD/7
Keys	2
Memory	No
Display	No
Motor groups	1
Content	
Useable with controllers	Compact/SY1mini/Smart/SCT
Cable length	Coiled cord max. 1,7m
Frequenz	None
Plug type	MAS 70

CONTROLLER SY 1 MINI - REMOTE CONTROL

RC-Remote Control



Article number	RFU/CDs2-RB01-1D-LD
Keys	2
Memory	No
Display	No
Motor groups	1
Content	Controller and receiver
Useable with controller type	Compact/SY1mini/Smart
Cable length	1,8m
Frequenz	869,85 MHz
Plug type	MAS 70

CONTROLLER SY 1 MINI - ACCESSOIRES

Hand switch split cable



Article number	ACS-CBL-HSY
Application	Connects 2 manual switches and controller
Cable length	0,2m
Useable with controller type	Compact/SYmini/Smart
Useable with manual switch	LD, Touch series
Plug type	MAS 70

Hand switch extension cable



Article number	ACS-CBL-HS-LD
Application	Connects manual switch and controller
Cable length	1,0m
Useable with controller type	Compact/SYmini/Smart
Useable with manual switch	LD und Touch series
Plug type	MAS 70

Motor extension cable

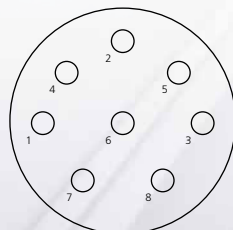


Article number	ACS-CBL-Mot-1,5m
Application	Connects motor and controller
Cable length	1,5m
Useable with controller type	Compact/SCT/SYmini/Smart
Useable with manual switch	
Plug type	MAS 80

Motor cable Compact / SY / SCT

1. a. 7 = Motor + (-), (yellow) up/down
 2. a. 4 = Motor - (+), (grey) up/down
 5 = Hall Transmitter Gnd (brown)
 3 = Hall Transmitter + 5 V (white)
 8 = Hall Transmitter 1
 open collector output (green)
 6 = Hall Transmitter 2
 open collector output (blue)

Soldering side plug

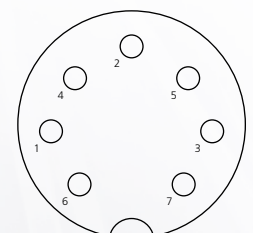


MAS80S DIN 41524

Manual Switch Compact / SY

Code	HS 1	HS 2	HS 3	HS 4
Up	1	0	0	0
Down	0	1	0	0
Memo	0	1	1	0
Pos 1	0	0	1	0
Pos 2	0	0	0	1
Pos 3	0	1	0	1
Pos 4	0	1	1	0
Pos 5	0	1	0	1
Pos 6	0	1	1	1

Soldering side

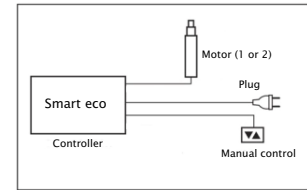


MAS70S DIN 45329

Configuration 4 = HS 4
 1 = Rx D 5 = HS 2
 2 = HS 3 6 = Tx D
 3 = HS 1 7 = +5V

Controller SMARTeco*

for one or two motors/lifter



*minimum order number 500pcs.

Controllers Article number	Unit	SMARTeco for 1 Motor SMA1-XX-S-7M-EU	SMARTeco for 2 Motors SMA2-XX-S-7M-EU
Technical datas			
Output power	VA	216	216
Input voltage	VAC	230	230
Power consumption	A	0,94	0,94
Frequency	Hz	50	50
Protection class		I	I
Protection rate IP		20	20
Output voltage	VDC	24	24
Motor channels		1	2 (synchronized)
Duty cycle		1 / 9 (10 %)	1 / 9 (10 %)
Power supply electronics	VDC/mA	5 / 250	5 / 250
Power supply Standby	VDC/mA	5 / 007	5 / 007
Standby power input	W	< 0,3	< 0,3
Weight	kg	0,295	0,305
Size		186x100x30	186x100x30
Plug type / Cable length			
Power supply cable	m	3	3
Output Motor		Molex	Molex
Output Manual switch		MAS 70 S	MAS 70 S

CONTROLLER SMART ECO - MANUAL SWITCH

All compact type manual switches are useable too.

Manual switch SMARTtouch LD

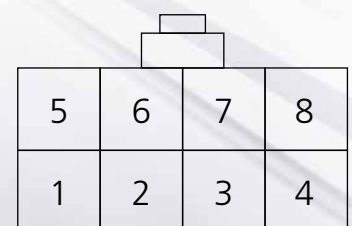


Article number	SMARTtouch LD
Mounting	Pluggable
Keys up/down	2
Memory	No
Display	No
Cable length	No cable
Useable with controllers	Smart
Features	None
Motor groups	1
Plug type	MAS 70

Motorcable Compact / Smart eco

- 1 = Motor plus - up (yellow)
- 2 = n.c.
- 3 = Hallsensor + 5VDC (white)
- 4 = Hallsignal 1 (green)
- 5 = Hallsignal 2 (blue)
- 6 = n.c.
- 7 = Hallsensor GND (brown)
- 8 = Motor minus - Down (grey)

Front view plug



MOLEX

Controller Syncontrol

for up to three motors/lifters



Controllers			
Article number	Unit	SYC3-ON-S-RM-EU-XXXX	SYC3-ON-S-RM-E-GXWX
Technical datas			
Power	W	380	380
Input voltage	VAC	230	230
Current consumption	A	2	2
Frequency	Hz	50	50
Protection class		I	I
Protection rate IP		20	20
Output voltage	VDC	24	24
Power consumption	A	19	19
Motor channels		3	3
Max . power consumption / channel	A	9	9
Continous operation up to	W	100 total load	100 total load
Power supply standby	W	0,1	0,1
Duty cycle		1 / 9 (10 %)	1 / 9 (10 %)
Number of controllers linkable		4	4
Weight	kg	0,46	0,46
Size	mm	41 x 61 x 265	41 x 61 x 265
Plug type / Cable length			
Power supply cable	m	3	3
Output Motor		Molex Mini Fit	Molex Mini Fit
Output Manual switch		RJ 12	RJ 12
			incl. GyroSense + Wifi

*110V Version (US) available

**up to 6 controllers linkable with link-hub KAS-HUB-SYC

Hand switch up/down



Article number	HS-SYC-LM2EC
Mounting	Under desk mounting
Keys up/down	2
Memory	No
Display	No
Cable length	1,7m
Useable with controllers	SYC2/SYC3
Plug type	RJ 12

Hand switch with four memory positions and LCD-display



Article number	HS-SYC-LD6EC
Mounting	Under desk mounting
Keys up/down	2
Memory	4 positions
Display	3 digit LCD
Cable length	1,7m
Useable with controllers	SYC2/SYC3
Plug type	RJ 12

Power supply cable Controller



Article number	LOG-CBL-PWK
Application	Connecting controller to power supply
Cable length	3 m
Pins	3
Plug type	EU - power plug

Motor adapter cable Molex to MAS



Article number	LOG-CBL-ADAP-Mot-ELS
Application	Connecting controller to motor/lifter
Cable length	0,2 m
Pins	MAS 80S/Molex Mini Fit 4,2 mm plug

Hand switch split cable



Article number	HS-Y-Verteiler-RJ12-SYC
Application	Connecting two hand sets to controller

Link cable



Article number	KAS-Kabel-RJ12-SYC-0,9m
Application	Connects two or more controllers
Cable length	0,9 m
Pins	RJ12

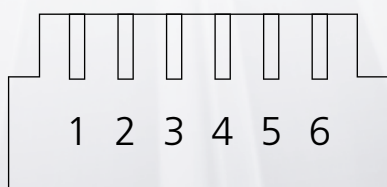
Link hub



Article number	KAS-HUB-SYC
Application	Connects up to 6 controllers

Hand switch + Bus connection Syncontrol

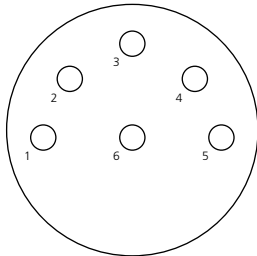
Front view socket



- 1 = +5V Output
- 2 = RS485 A
- 3 = RS485 B
- 4 = +5V Output
- 5 = Control unit analogue
- 6 = GND

Hand switch SCT (w/o Memory)

Soldered side plug

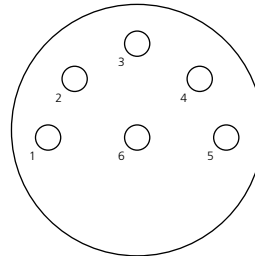


MAS60S

- 1 = n.c.
- 2 = n.c.
- 3 = common
- 4 = n.c.
- 5 = up Motor
- 6 = down Motor

THD / Medis C71 (Memory)

Soldered side plug

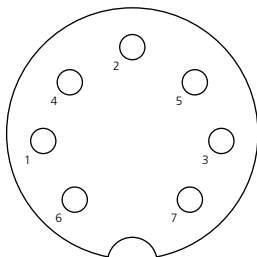


MAS60S

- 1 = 5V+
- 2 = Bat +
- 3 = GND
- 4 = Bat -
- 5 = Signal
- 6 = Adress

Hand switch Compact / SY

Soldered side plug



MAS70S DIN 45329

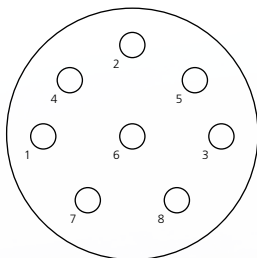
Code	HS 1	HS 2	HS 3	HS 4
up	1	0	0	0
down	0	1	0	0
Memo	0	1	1	0
Pos 1	0	0	1	0
Pos 2	0	0	0	1
Pos 3	0	1	0	1
Pos 4	0	1	1	0
Pos 5	0	1	0	1
Pos 6	0	1	1	1

Configuration

- 1 = Rx D
- 2 = HS 3
- 3 = HS 1
- 4 = HS 4
- 5 = HS 2
- 6 = Tx D
- 7 = +5V

Motor cable Compact / SY / SCT

Soldered side plug

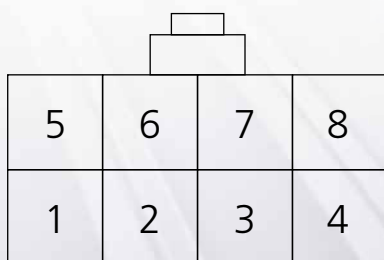


MAS80S DIN 41524

- 1. a. 7 = Motor + (-), (yellow) up/down
- 2. a. 4 = Motor - (+), (grey) up/down
- 5 = Hall Transmitter Gnd (brown)
- 3 = Hall Transmitter + 5 V (white)
- 8 = Hall Transmitter 1 open collector output (green)
- 6 = Hall Transmitter 2 open collector output (blue)

Motor cable Compact / Smart eco

Soldered side plug



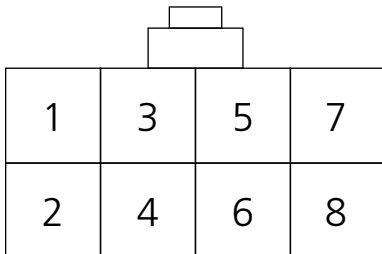
MOLEX

- 1 = yellow Motor + up
- 2 = n.c.
- 3 = white Hallsensor + 5VDC
- 4 = green Hallsignal 1
- 5 = blue Hallsignal 2
- 6 = n.c.
- 7 = brown Hallsensor GND
- 8 = grey Motor - down

PIN CONNECTIONS

Motor connection Syncontrol

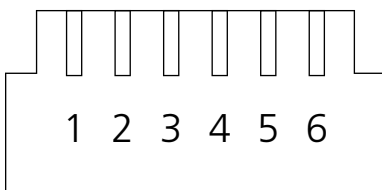
Front view socket



- 1 = Motor 1
- 2 = Hallsensor 1
- 3 = GND
- 4 = Hallsensor + 5V
- 5 = Optional 2
- 6 = Optional 1
- 7 = Hallsensor 2
- 8 = Motor 2

Hand switch + Bus connection Syncontrol

Front view socket



- 1 = +5V Output
- 2 = RS485 A
- 3 = RS485 B
- 4 = +5V Output
- 5 = control units analogue
- 6 = GND

TABLE BASE / ROLLER FRAME

Table base/foot T180

Article number	EZ01809
Material:	Alloy casting
Surface:	powder coating silver RAL 9006
Design:	764 mm x 103 mm x 64-74 mm



Table base/foot Hexalift symmetrical

Article number	EZ01811
Material:	Steel
Surface:	powder coating silver RAL 9006
Design:	760 mm x 60 mm x 43-48 mm



Table base/foot Hexalift asymmetrical

Article number	EZ01810
Material:	Steel
Surface:	powder coating silver RAL 9006
Design:	760 mm x 60 mm x 43-48 mm



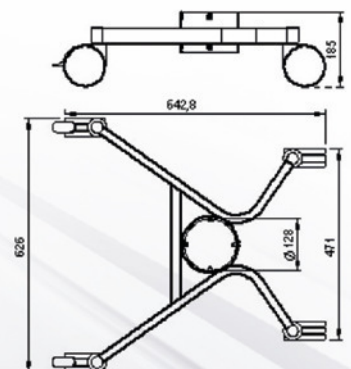
Table base/foot T165 asymmetrical

Article number	EZ01812
Material:	Steel
Surface:	powder coating silver RAL 9006
Design:	760 mm x 60 mm x 43-48 mm



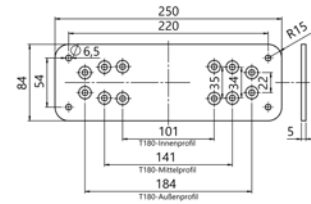
Roller frame Monolifter TR 126

Article number	EZ00205
Material:	Steel
Surface:	powder coated silver



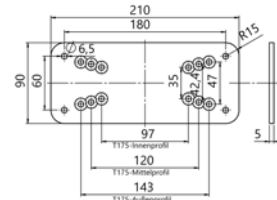
Mounting plate T180

Article number	EZ01822
Material:	Steel
Surface:	zinc plated
Application:	for all T180-type lifters as top or bottom plate



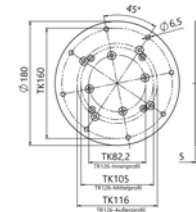
Mounting plate T175

Article number	EZ01823
Material:	Steel
Surface:	zinc plated
Application:	for all T175-type lifters as top or bottom plate



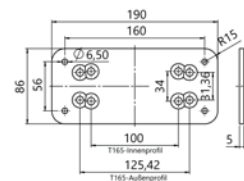
Mounting plate TR 126

Article number	EZ01824
Material:	Steel
Surface:	zinc plated
Application:	for all TR 126-type lifters as top or bottom plate



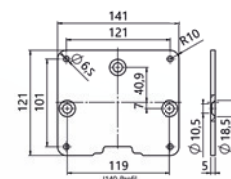
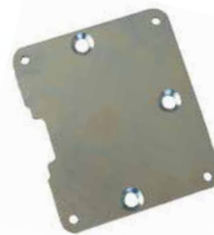
Mounting plate T165

Article number	EZ01825
Material:	Steel
Surface:	zinc plated
Application:	for all T165-type lifters as top or bottom plate



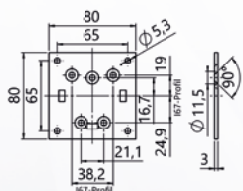
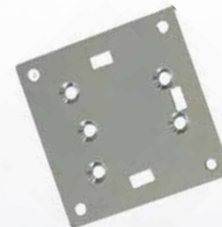
Mounting plate I 140

Article number	23.0.035
Material:	Steel
Surface:	zinc plated
Application:	for all I140-type lifters as top or bottom plate



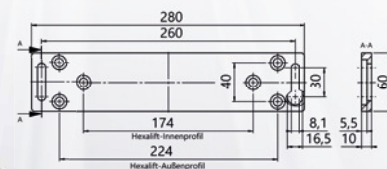
Mounting plate I67

Article number	28.0.007
Material:	Steel
Surface:	zinc plated
Application:	for all I67-type lifters as top or bottom plate



Mounting plate Hexalift

Article number	EZ02407
Material	Aluminium
Surface	anodised
Application	for all Hexalift-type lifters as top or bottom plate



SLOT NUTS

For lifters T180 and T165

Article number	EZ01127
Material	Steel
Surface	zinc plated
Design	with 3xM6 thread
Length	80 mm



For lifter T175

Article number	096286F
Material	Steel
Surface	zinc plated
Design	with spring plate and M6 thread



For lifter I140 and Hexalift M6

Article number	096026
Material	Steel
Surface	zinc plated
Design	swivel mounted with spring assisted ball and M6 thread



For lifter I140 and Hexalift M8

Article number	096028
Material	Steel
Surface	zinc plated
Design	swivel mounted with spring assisted ball and M8 thread



For lifter TR126 and I67

Article number	13440026-01
Material	Steel
Surface	zinc plated
Design	with M6 thread



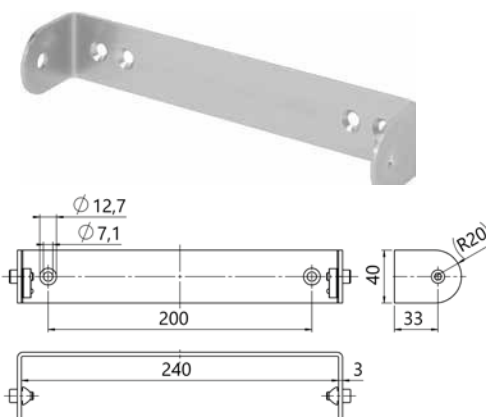
For lifter I67

Article number	28.0.011.00
Material	Steel
Surface	zinc plated
Design	with 3xM6 thread
Length	160 mm



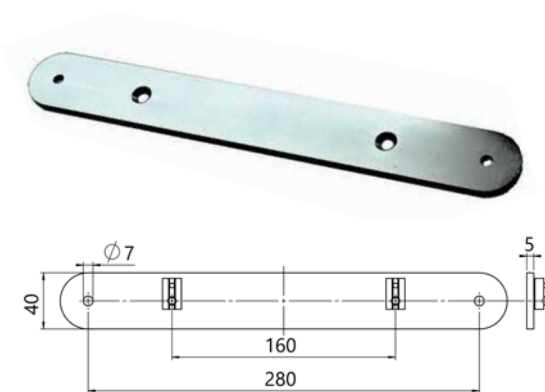
Wall mount angled Hexalift

Article number	EZ01815
Material:	Steel
Surface:	zinc plated



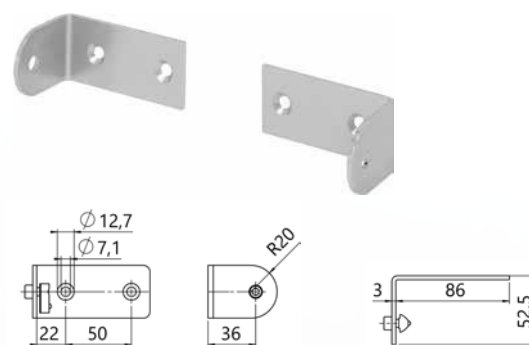
Wall mount flat Hexalift

Article number	EZ01814
Material:	Steel
Surface:	zinc plated



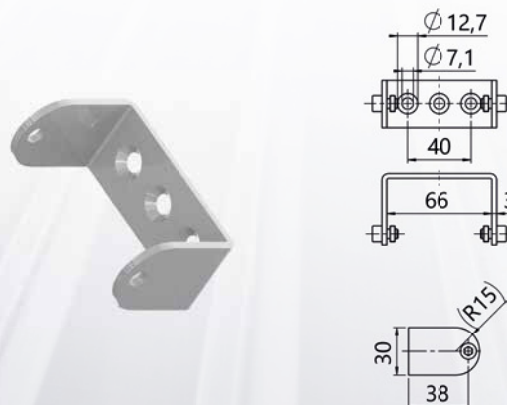
Wall mount universal (for Hexalift, T175, T165)

Article number	EZ01813
Material:	Steel
Surface:	zinc plated



Wall mount linear guide lifter I 67

Article number	EZ01816
Material:	Steel
Surface:	zinc plated



PROFILE ADAPTERS

For lifters T180 and T165



Article No. EZ01686

Profile adapter VR 60 (0°)

1 x slot nut EZ01127

2 x tallow-drop screw M6x10

1 x threaded pin M6x6



Article No. EZ01748

Profile adapter VR 60 (45°)

1 x slot nut EZ01127

2 x tallow-drop screw M6x10

1 x threaded pin M6x6



Article No. EZ01749

Profile adapter VR 60 (90°)

1 x slot nut EZ01127

2 x tallow-drop screw M6x10

1 x threaded pin M6x6

For lifters T175



Article No. EZ01750

Profile adapter VR 60 (0°)

3 x slot nuts 096286F

3 x tallow-drop screw M6x10



Article No. EZ01751

Profile adapter VR 60 (45°)

3 x slot nuts 13440026-01

3 x tallow-drop screw M6x10



Article No. EZ01752

Profile adapter VR 60 (90°)

3 x slot nuts 13440026-01

3 x tallow-drop screw M6x10

For lifters TR126 and I67



Article No. EZ01753

Profile adapter VR 60 (0°)

3 x slot nuts 13440026-01

3 x tallow-drop screw M6x10



Article No. EZ01754

Profile adapter VR 60 (45°)

3 x slot nuts 13440026-01

3 x tallow-drop screw M6x10



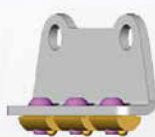
Article No. EZ01755

Profile adapter VR 60 (90°)

3 x slot nuts 13440026-01

3 x tallow-drop screw M6x10

For lifters Hexalift and I140



Article No. EZ01756

Profile adapter VR 60 (0°)

3 x slot nuts 096026

3 x tallow-drop screw M6x10



Article No. EZ01757

Profile adapter VR 60 (45°)

3 x slot nuts 096026

3 x tallow-drop screw M6x10



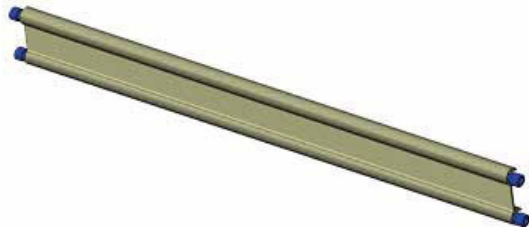
Article No. EZ01758

Profile adapter VR 60 (90°)

3 x slot nuts 096026

3 x tallow-drop screw M6x10

Cross bar for profile adapters (including mounting material)



Article No. EZ01826-XXXX

Length variable max. 5000 mm

TECHNICAL INFORMATION

Guidelines

In this catalogue you will find our range of standard products, together with performance details. Although great care has been taken in preparing this documentation, we can not guarantee that the information is complete or entirely accurate in every case. As our products are under continuous improvement and development, it has not been possible in every case to indicate all performance criteria.

Should you require additional information regarding a specific product or if you have been unable to find a product matching your criteria, we would request that you contact us on a direct basis.

The performance of any DC motor driven actuator will vary as a consequence of changes in load, power supply and other factors over which we have no influence. The accuracy of limit switch control is very much dependent on load and linear speed. For applications where these criteria are of critical importance, we recommend you to consult our sales staff.

The drive units shown in this catalogue are intended for intermittent operation category S3. This type of operation can be a sequence of similar cycles comprising a period of constant load and then a pause, after which this may be repeated.

Example S3 10%: Running time 1 minute in any 10-minute period.

Calculation

POWER CONSUMPTION

$$P1 = U \times I$$

P1 absorbed power in W | U Voltage in V | I Current in Amps

EFFICIENCY

$$\text{Efficiency} = P2/P1$$

Ratio between the power consumption and the output power in %

POWER OUTPUT

$$\text{Rotational: } P2 = M \times 2\pi \times n$$

P2 Output power in W | M Torque in Nm | n Rotational speed in rpm

POWER OUTPUT

$$\text{Linear: } P2 = F \times v = F \times s/t$$

P2 Output power in W | F Moving load in N

v Linear speed in m/s | s Travel in m | t Travel time in s

C.E. regulations and manufacturer declaration

In accordance with EU guidelines, all electric motor driven machines, equipment and systems, which are manufactured, imported or marketed in the European Community area are to be provided with CE marking. The EU guidelines include the following rules relevant to users of electric motors.

1. Machine guidelines

These apply to independent operating machines or groups of machines, or complete installations. They do not apply to individual components such as the electric control of motors, which cannot operate independently. Only complete machines or installations are applicable to this ruling.

2. Low voltage guidelines

This applies for all electric motors operating on a supply of equal to and above 75V DC (direct current) or 50V AC (alternating current). All our motors are intended for operation under max. 38V DC and therefore fall outside this ruling.

3. EMC Guidelines

This guideline applies to electrical and electronic, as well as non-electronic devices, equipment, plant and systems. This ruling applies also to complex components such as electric motors, but only if these are generally available to the public.

Our components are supplied only to manufacturers as parts or spare parts and according to section 5, paragraph 5 of the EMC ruling, do not require a CE marking.

The EN 55014 of the EMC ruling specifies maximum values for high frequency radiation. As a consequence of the above, the EMC ruling does not apply to our range of electrical components.

4. Complete products

Only complete products such as workbenches and desks may be considered to be subject to the CE marking, as well as other relevant standards relating to material strength and anti-squeeze safeguards. (EN.527-1/-3 etc.).

We would be pleased to advise in regard to the certification of your products if required.