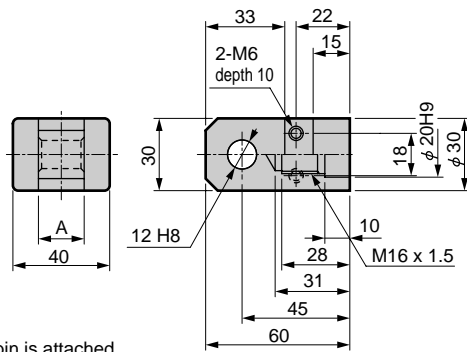


Accessory dimensions

● Rod eye dimensions

Material: Steel

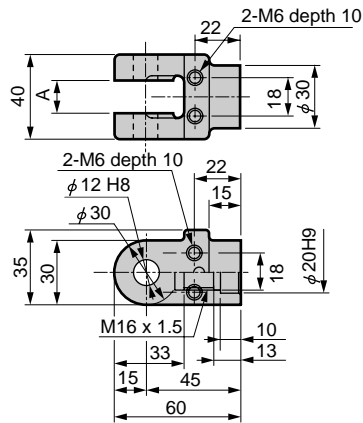


*A spring pin is attached.

Model no.	A	Applicable clamp	Weight (kg)
CAC3-IB	19.5 ^{-0.1} _{-0.4}	UCAC-A, UCAC-B	0.27

● Rod clevis steel (Y) dimensions

Material: Steel

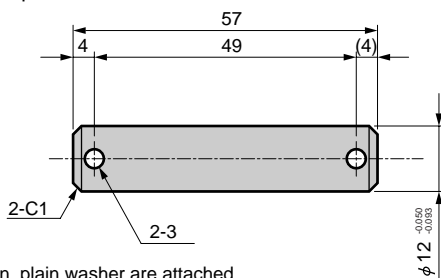


* Pin, split pin, spring pin and plain washer are attached.

Model no.	A	Applicable clamp	Weight (kg)
CAC3-YA	16.5 ^{+0.3} ₀	UCAC-A	0.37
CAC3-YB	19.5 ^{+0.3} ₀	UCAC-B	0.37

● Clevis pin dimensions

Material: Steel

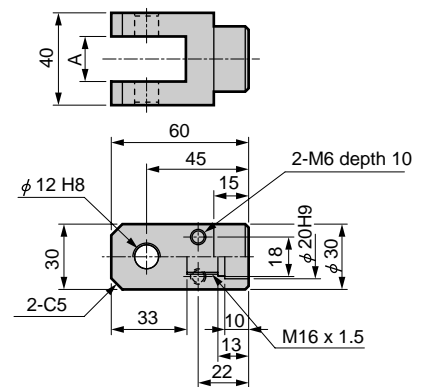


* Split pin, plain washer are attached.

Model no.	Applicable clamp	Weight (kg)
CAC3-P	UCAC-A, UCAC-B	0.05

● Rod clevis steel (Y1) dimensions

Material: Steel



* Pin, split pin, spring pin and plain washer are attached.

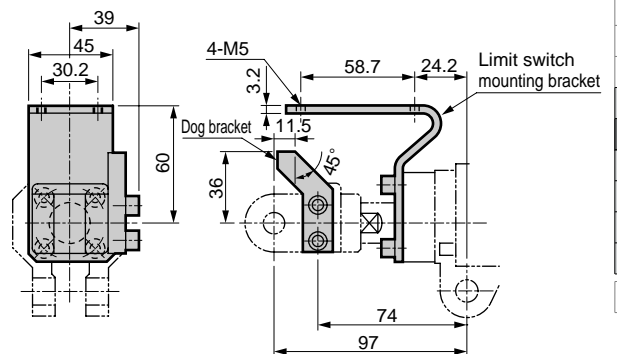
Model no.	A	Applicable clamp	Weight (kg)
CAC3-Y1A	16.5 ^{+0.3} ₀	UCAC-A	0.37
CAC3-Y1B	19.5 ^{+0.3} ₀	UCAC-B	0.37

● Limit switch mounting bracket dimensions

Material: Steel

● Dog bracket dimensions

Material: Steel



● Use a WLH2 type (OMRON) or equivalent limit switch.

Model no.	Part name	Applicable clamp	Weight (kg)
CAC3-L	Limit switch mounting bracket	UCAC-A, UCAC-B	0.18
CAC3-D	Dog bracket	UCAC-A, UCAC-B	0.08

SCP*2
CMK2
CMA2
SCM
SCG
SCA2
SCS
CKV2
CA/OV2
SSD
CAT
MDC2
MVC
SMD2
MSD*
FC*
STK
ULK*
JSK/M2
JSG
JSC3
USSD
USC
JSB3
LMB
STG
STS/L
LCS
LCG
LCM
LCT
LCY
STR2
UCA2
HCM
HCA
SRL2
SRG
SRM
SRT
MRL2
MRG2
SM-25
CAC3
UCAC
RCC2
MFC
SHC
GLC
Ending

Position locking clamp cylinder
Special type