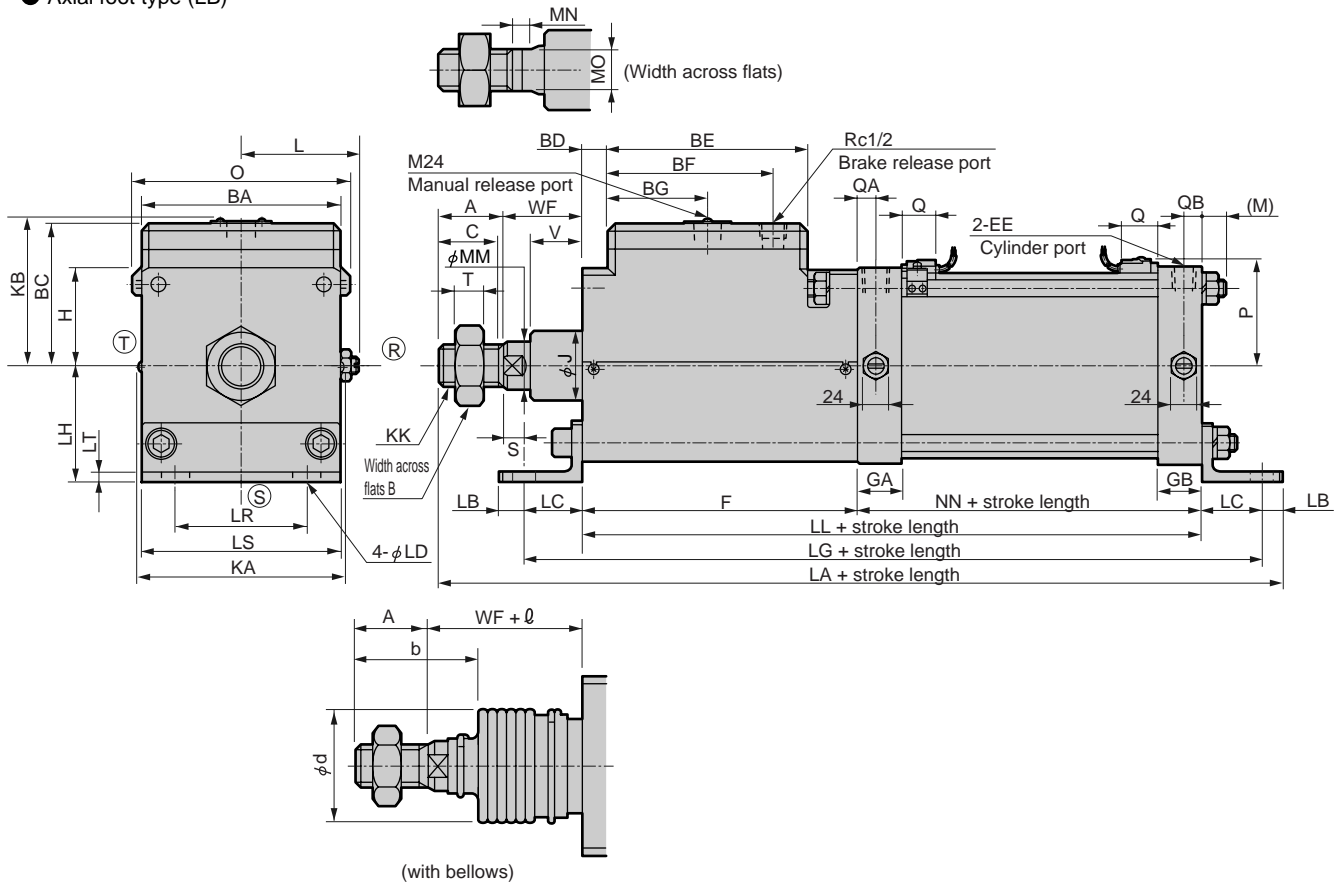




Dimensions (φ 125 to φ 180)

● Axial foot type (LB)



Note 1: (R)(S)(T) indicates a cushion needle position.
 Note 2: Refer to page 1353 for accessory dimensions.

Symbol	Axial foot type (LB) basic dimensions																				
	A	B	BA	BC	BD	BE	BF	BG	C	EE	F	GA	GB	H	J	KA	KB	KK	L	LL	M
φ 125	50	46	140	109	19.5	140	118	70	47	Rc1/2	200	31.5	29	70	55	150	115	M30 x 1.5	83 to 91	291	20
φ 140	50	46	157	116.5	18.5	157	128.5	78.5	47	Rc3/4	216	35.5	36	78.5	55	167	122.5	M30 x 1.5	91.5 to 99.5	318	20
φ 160	56	55	177	128	23	177	146.5	88.5	53	Rc3/4	245	38	36	88.5	62.5	190	134	M36 x 1.5	101.5 to 109.5	350	23
φ 180	63	60	200	146	14	200	170	100	60	Rc3/4	264	39	38.5	100	68.5	213	152	M40 x 1.5	113 to 121	373	26

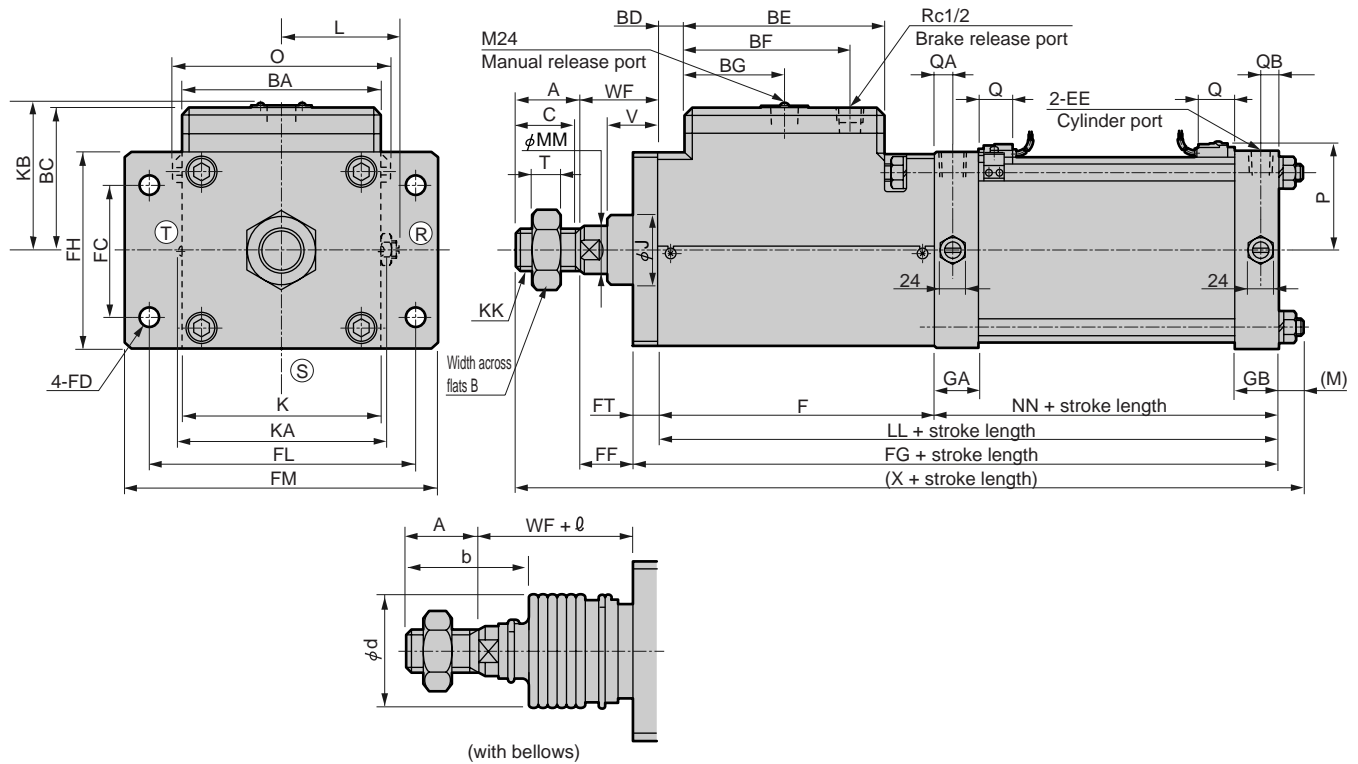
Symbol	Installation dimensions																		
	MM	MN	MO	NN	QA	QB	S	T	V	WF	LA	LB	LC	LD	LG	LH	LR	LS	LT
φ 125	35	14	30	91	14	15	10	18	35	55	461	20	45	19	381	85	100	140	7
φ 140	35	14	30	102	16	17	7	18	35	57	495	20	50	19	418	100	112	157	8
φ 160	40	16	36	105	16	17	18.5	21	48	71.5	550.5	20	53	19	456	106	118	177	10
φ 180	45	18	41	109	16	17	18.5	24	53	78.5	601.5	27	60	24	493	125	132	200	10

Symbol	With switch								With bellows						
	O	P				Q				A	WF	b	d	ℓ	
		Grommet	Terminal box		T2YDP*	Grommet	Terminal box		T2YDP*						
φ 125	142	78.5	R*B	R*A	107.5	103	80	32	44.5	30	50	55	74	75	(Stroke length/4.55) + 11
φ 140	156	85	114	109.5	86.5	32	44.5	30	50	57	74	75	(Stroke length/4.55) + 9		
φ 160	176	93.5	122	117.5	95	32	44.5	30	56	71.5	82	80	(Stroke length/5.15) + 9		
φ 180	196	109.5	130	125.5	103	32	44.5	30	63	78.5	91	90	(Stroke length/5.15) + 9		

Dimensions (φ 125 to φ 180)



● Rod end flange type (FA)



Note 1: (R)(S)(T) indicates a cushion needle position.
 Note 2: Refer to page 1353 for accessory dimensions.

Symbol	Rod end flange type (FA) basic dimensions																				
Bore size (mm)	A	B	BA	BC	BD	BE	BF	BG	C	EE	F	GA	GB	J	K	KA	KB	KK	L	LL	M
φ 125	50	46	140	109	19.5	140	118	70	47	Rc1/2	200	31.5	29	55	140	150	115	M30 x 1.5	83 to 91	291	20
φ 140	50	46	157	116.5	18.5	157	128.5	78.5	47	Rc3/4	216	35.5	36	55	157	167	122.5	M30 x 1.5	91.5 to 99.5	318	20
φ 160	56	55	177	128	23	177	146.5	88.5	53	Rc3/4	245	38	36	62.5	177	190	134	M36 x 1.5	101.5 to 109.5	350	23
φ 180	63	60	200	146	14	200	170	100	60	Rc3/4	264	39	38.5	68.5	200	213	152	M40 x 1.5	113 to 121	373	26

Symbol	Installation dimensions																With switch							
																	P			Q				
																	O	Terminal box		T2YDP*	Grommet	Terminal box		T2YDP*
Bore size (mm)	MM	NN	QA	QB	T	V	WF	X	FC	FD	FF	FG	FH	FL	FM	FT		Grommet	R*B	R*A		Grommet	Terminal box	T2YDP*
φ 125	35	91	14	15	18	35	55	416	100	19	35	311	140	190	230	20	142	78.5	107.5	103	80	32	44.5	30
φ 140	35	102	16	17	18	35	57	445	112	19	37	338	157	212	250	20	156	85	114	109.5	86.5	32	44.5	30
φ 160	40	105	16	17	21	48	71.5	500.5	118	19	49.5	372	177	236	280	22	176	93.5	122	117.5	95	32	44.5	30
φ 180	45	109	16	17	24	53	78.5	540.5	132	24	53.5	398	200	265	310	25	196	109.5	130	125.5	103	32	44.5	30

Symbol	With bellows				
Bore size (mm)	A	WF	b	d	ℓ
φ 125	50	55	74	75	(Stroke length/4.55) + 11
φ 140	50	57	74	75	(Stroke length/4.55) + 9
φ 160	56	71.5	82	80	(Stroke length/5.15) + 9
φ 180	63	78.5	91	90	(Stroke length/5.15) + 9

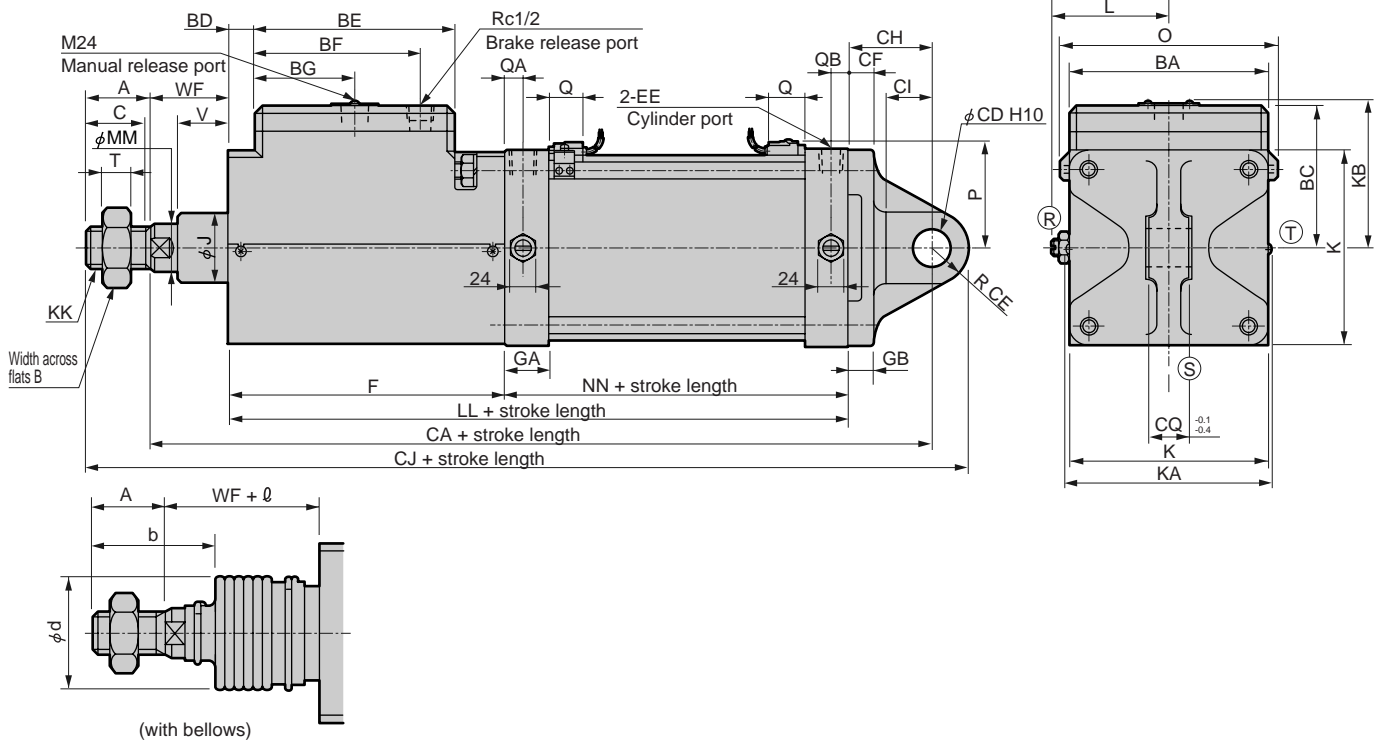
- SCP*2
- CMK2
- CMA2
- SCM
- SCG
- SCA2
- SCS
- CKV2
- CA/OV2
- SSD
- CAT
- MDC2
- MVC
- SMD2
- MSD*
- FC*
- STK
- ULK*
- JSK/M2
- JSG
- JSC3**
- USSD
- USC
- JSB3
- LMB
- STG
- STS/L
- LCS
- LCG
- LCM
- LCT
- LCY
- STR2
- UCA2
- HCM
- HCA
- SRL2
- SRG
- SRM
- SRT
- MRL2
- MRG2
- SM-25
- CAC3
- UCAC
- RCC2
- MFC
- SHC
- GLC
- Ending

Brake cylinder (medium and large bore size)
 With brake

Dimensions (φ 125 to φ 180)



● Eye bracket type (CA)



Note 1: (R)(S)(T) indicates a cushion needle position.
 Note 2: Refer to page 1353 for accessory dimensions.

Symbol	Eye bracket type (CA) basic dimensions																				
Bore size (mm)	A	B	BA	BC	BD	BE	BF	BG	C	EE	F	GA	GB	J	K	KA	KB	KK	L	LL	MM
φ 125	50	46	140	109	19.5	140	118	70	47	Rc1/2	200	31.5	29	55	140	150	115	M30 x 1.5	83 to 91	291	35
φ 140	50	46	157	116.5	18.5	157	128.5	78.5	47	Rc3/4	216	35.5	36	55	157	167	122.5	M30 x 1.5	91.5 to 99.5	318	35
φ 160	56	55	177	128	23	177	146.5	88.5	53	Rc3/4	245	38	36	62.5	177	190	134	M36 x 1.5	101.5 to 109.5	350	40
φ 180	63	60	200	146	14	200	170	100	60	Rc3/4	264	39	38.5	68.5	200	213	152	M40 x 1.5	113 to 121	373	45

Symbol	Installation dimensions												With switch									
	NN	QA	QB	T	V	WF	CA	CD	CE	CF	CH	CI	CJ	CQ	O	P			Q			
Bore size (mm)	Grommet			Terminal box			T2YDP*			Grommet			Terminal box			T2YDP*						
	R*B	R*A		R*B	R*A																	
φ 125	91	14	15	18	35	55	409	25	25	20	63	35	483.5	32	142	78.5	107.5	103	80	32	44.5	30
φ 140	102	16	17	18	35	57	450	28	28	22	75	40	527.5	36	156	85	114	109.5	86.5	32	44.5	30
φ 160	105	16	17	21	48	71.5	496.5	32	32	24	75	40	584	40	176	93.5	122	117.5	95	32	44.5	30
φ 180	109	16	17	24	53	78.5	541.5	40	40	25	90	55	644	50	196	109.5	130	125.5	103	32	44.5	30

Symbol	With bellows				
Bore size (mm)	A	WF	b	d	ℓ
φ 125	50	55	74	75	(Stroke length/4.55) + 11
φ 140	50	57	74	75	(Stroke length/4.55) + 9
φ 160	56	71.5	82	80	(Stroke length/5.15) + 9
φ 180	63	78.5	91	90	(Stroke length/5.15) + 9

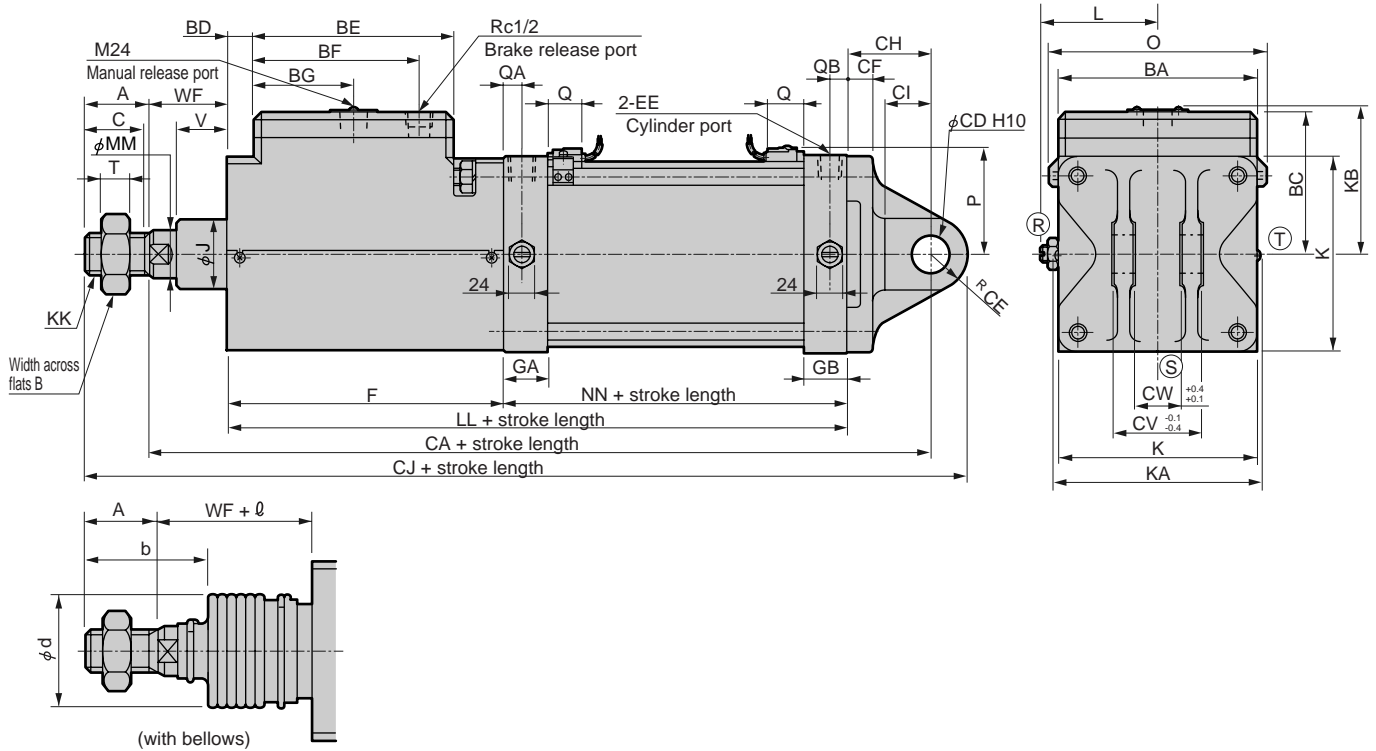
- SCP*2
- CMK2
- CMA2
- SCM
- SCG
- SCA2
- SCS
- CKV2
- CA/OV2
- SSD
- CAT
- MDC2
- MVC
- SMD2
- MSD*
- FC*
- STK
- ULK*
- JSK/M2
- JSG
- JSC3**
- USSD
- USC
- JSB3
- LMB
- STG
- STS/L
- LCS
- LCG
- LCM
- LCT
- LCY
- STR2
- UCA2
- HCM
- HCA
- SRL2
- SRG
- SRM
- SRT
- MRL2
- MRG2
- SM-25
- CAC3
- UCAC
- RCC2
- MFC
- SHC
- GLC
- Ending

Brake cylinder (medium and large bore size)
 With brake



Dimensions (φ 125 to φ 180)

● Clevis bracket type (CB)



Note 1: (R)(S)(T) indicates a cushion needle position. · A pin is attached.
 Note 2: Refer to page 1353 for dimensions with bellows.
 Note 3: Refer to page 1353 for the dimensions of the accessory.

Symbol	Clevis bracket type (CB) basic dimensions																				
	A	B	BA	BC	BD	BE	BF	BG	C	EE	F	GA	GB	J	K	KA	KB	KK	L	LL	MM
φ 125	50	46	140	109	19.5	140	118	70	47	Rc1/2	200	31.5	29	55	140	150	115	M30 x 1.5	83 to 91	291	35
φ 140	50	46	157	116.5	18.5	157	128.5	78.5	47	Rc3/4	216	35.5	36	55	157	167	122.5	M30 x 1.5	91.5 to 99.5	318	35
φ 160	56	55	177	128	23	177	146.5	88.5	53	Rc3/4	245	38	36	62.5	177	190	134	M36 x 1.5	101.5 to 109.5	350	40
φ 180	63	60	200	146	14	200	170	100	60	Rc3/4	264	39	38.5	68.5	200	213	152	M40 x 1.5	113 to 121	373	45

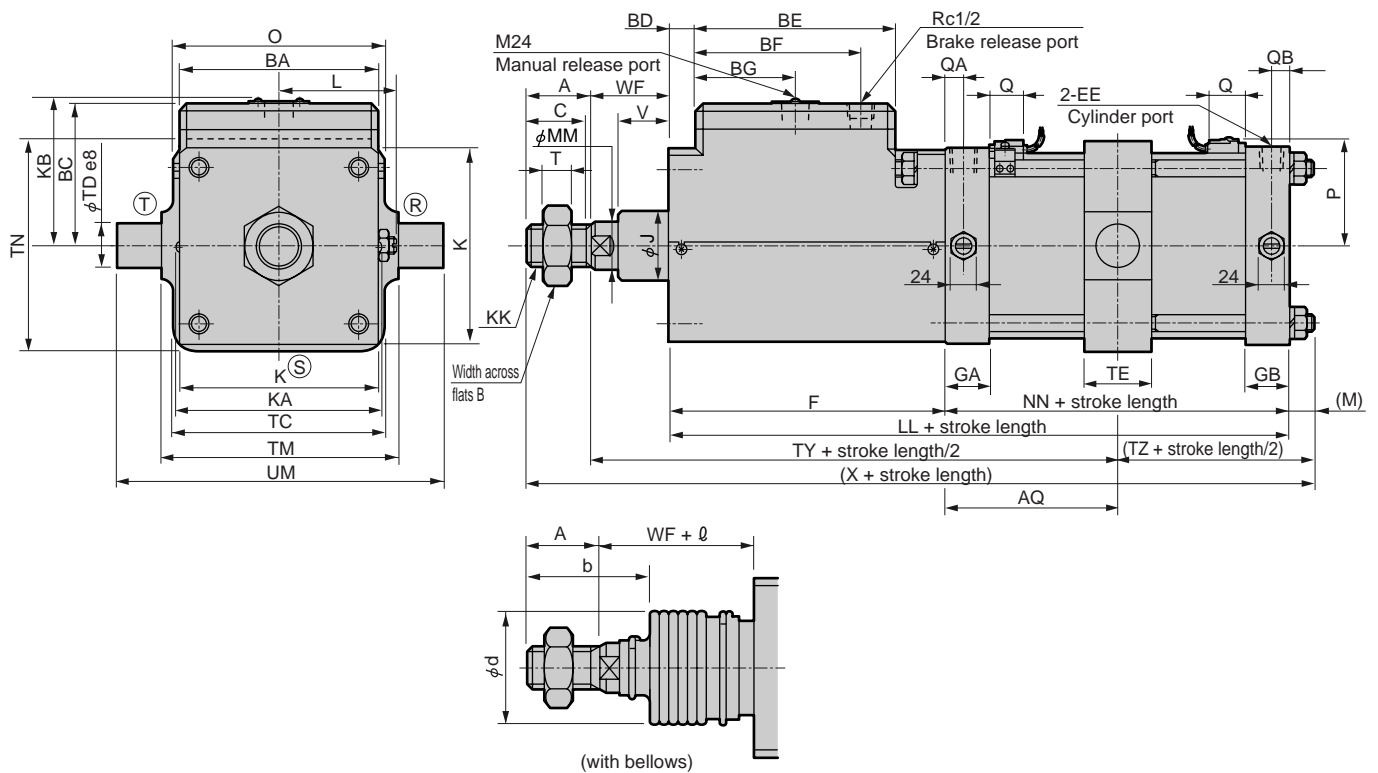
Symbol	Installation dimensions														With switch								
	NN	QA	QB	T	V	WF	CA	CD	CE	CF	CH	CI	CJ	CV	CW	O	P		Q				
Bore size (mm)	Terminal box		T2YDP*		Grommet	Terminal box		T2YDP*		Grommet	Terminal box		T2YDP*										
	R*B	R*A																					
φ 125	91	14	15	18	35	55	409	25	25	20	63	35	484	64	32	142	78.5	107.5	103	80	32	44.5	30
φ 140	102	16	17	18	35	57	450	28	28	22	75	40	528	72	36	156	85	114	109.5	86.5	32	44.5	30
φ 160	105	16	17	21	48	71.5	496.5	32	32	24	75	40	584.5	80	40	176	93.5	122	117.5	95	32	44.5	30
φ 180	109	16	17	24	53	78.5	541.5	40	40	25	90	55	644.5	100	50	196	109.5	130	125.5	103	32	44.5	30

Symbol	With bellows				
	A	WF	b	d	ℓ
φ 125	50	55	74	75	(Stroke length/4.55) + 11
φ 140	50	57	74	75	(Stroke length/4.55) + 9
φ 160	56	71.5	82	80	(Stroke length/5.15) + 9
φ 180	63	78.5	91	90	(Stroke length/5.15) + 9

Dimensions (φ 125 to φ 180)



- Center trunnion type (TC)



Note 1: (R)(S)(T) indicates a cushion needle position.
 Note 2: Refer to page 1353 for accessory dimensions.

Symbol	Center trunnion type (TC) basic dimensions																				
Bore size (mm)	A	B	BA	BC	BD	BE	BF	BG	C	EE	F	GA	GB	J	K	KA	KB	KK	L	LL	M
φ 125	50	46	140	109	19.5	140	118	70	47	Rc1/2	200	31.5	29	55	140	150	115	M30 x 1.5	83 to 91	291	20
φ 140	50	46	157	116.5	18.5	157	128.5	78.5	47	Rc3/4	216	35.5	36	55	157	167	122.5	M30 x 1.5	91.5 to 99.5	318	20
φ 160	56	55	177	128	23	177	146.5	88.5	53	Rc3/4	245	38	36	62.5	177	190	134	M36 x 1.5	101.5 to 109.5	350	23
φ 180	63	60	200	146	14	200	170	100	60	Rc3/4	264	39	38.5	68.5	200	213	152	M40 x 1.5	113 to 121	373	26

Symbol	Installation dimensions																
Bore size (mm)	MM	NN	QA	QB	T	V	WF	X	AQ	TC	TN	TD	TE	TM	UM	TY	TZ
φ 125	35	91	14	15	18	35	55	416	45.5+ Stroke length z	150	150	32	50	170	234	300	66
φ 140	35	102	16	17	18	35	57	445	51+ Stroke length z	154	170	36	55	190	262	323.5	71.5
φ 160	40	105	16	17	21	48	71.5	500.5	52.5+ Stroke length z	190	190	40	60	212	292	368.5	76
φ 180	45	109	16	17	24	53	78.5	540.5	54.5+ Stroke length z	210	210	45	65	236	326	396.5	81

Symbol	With switch					With bellows							
	O	Grommet	Terminal box		T2YDP*	Grommet	Terminal box	T2YDP*	A	WF	b	d	ℓ
Bore size (mm)			R*B	R*A									
φ 125	142	78.5	107.5	103	80	32	44.5	30	50	55	74	75	(Stroke length/4.55) + 11
φ 140	156	85	114	109.5	86.5	32	44.5	30	50	57	74	75	(Stroke length/4.55) + 9
φ 160	176	93.5	122	117.5	95	32	44.5	30	56	71.5	82	80	(Stroke length/5.15) + 9
φ 180	196	109.5	130	125.5	103	32	44.5	30	63	78.5	91	90	(Stroke length/5.15) + 9

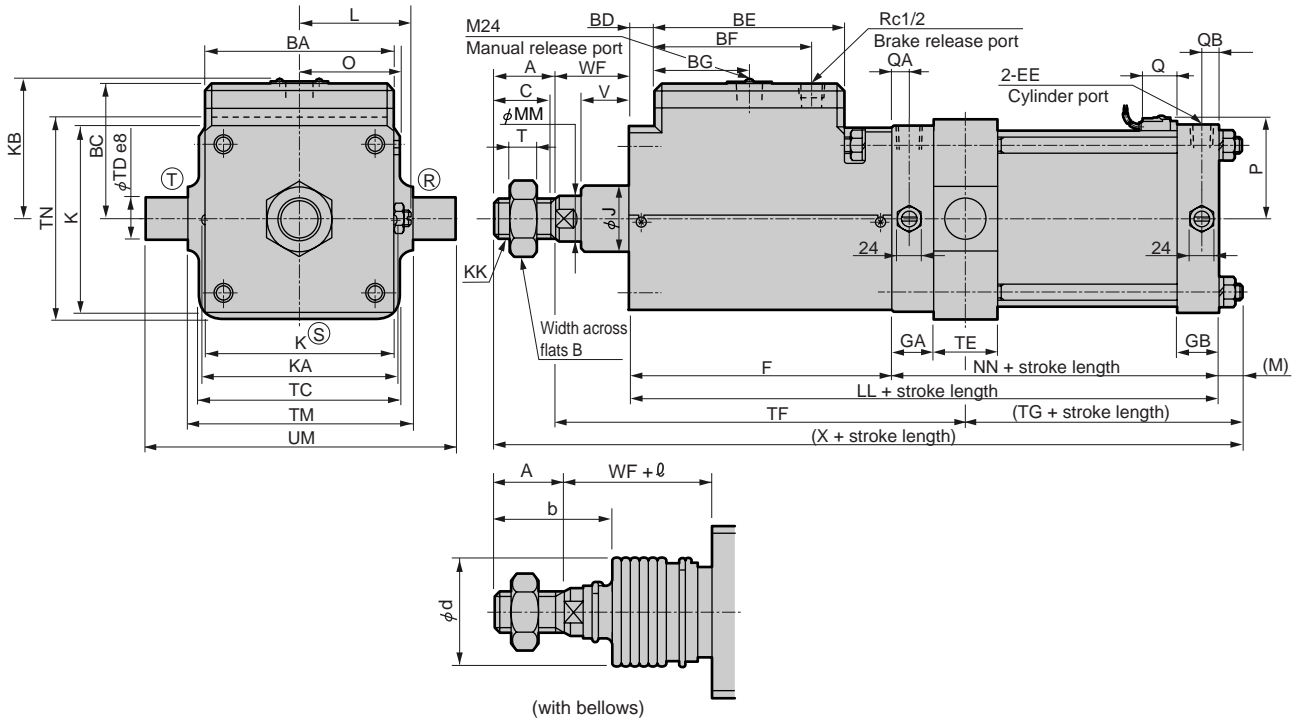
- SCP*2
- CMK2
- CMA2
- SCM
- SCG
- SCA2
- SCS
- CKV2
- CA/OV2
- SSD
- CAT
- MDC2
- MVC
- SMD2
- MSD*
- FC*
- STK
- ULK*
- JSK/M2
- JSG
- JSC3**
- USSD
- USC
- JSB3
- LMB
- STG
- STS/L
- LCS
- LCG
- LCM
- LCT
- LCY
- STR2
- UCA2
- HCM
- HCA
- SRL2
- SRG
- SRM
- SRT
- MRL2
- MRG2
- SM-25
- CAC3
- UCAC
- RCC2
- MFC
- SHC
- GLC
- Ending

Brake cylinder (medium and large bore size)
 With brake

Dimensions (φ 125 to φ 180)



● Rod end trunnion type (TA)



Note 1: A position can not be detected at rod side stroke end.
 Note 2: ⓇⓈⓉ indicates a cushion needle position.
 Note 3: Refer to page 1353 for the dimensions of the accessory.

Symbol	Rod end trunnion type (TA) basic dimensions																					
Bore size (mm)	A	B	BA	BC	BD	BE	BF	BG	C	EE	F	GA	GB	J	K	KA	KB	KK	L	LL	M	MM
φ 125	50	46	140	109	19.5	140	118	70	47	Rc1/2	200	31.5	29	55	140	150	115	M30 x 1.5	83 to 91	291	20	35
φ 140	50	46	157	116.5	18.5	157	128.5	78.5	47	Rc3/4	216	35.5	36	55	157	167	122.5	M30 x 1.5	91.5 to 99.5	318	20	35
φ 160	56	55	177	128	23	177	146.5	88.5	53	Rc3/4	245	38	36	62.5	177	190	134	M36 x 1.5	101.5 to 109.5	350	23	40
φ 180	63	60	200	146	14	200	170	100	60	Rc3/4	264	39	38.5	68.5	200	213	152	M40 x 1.5	113 to 121	373	26	45

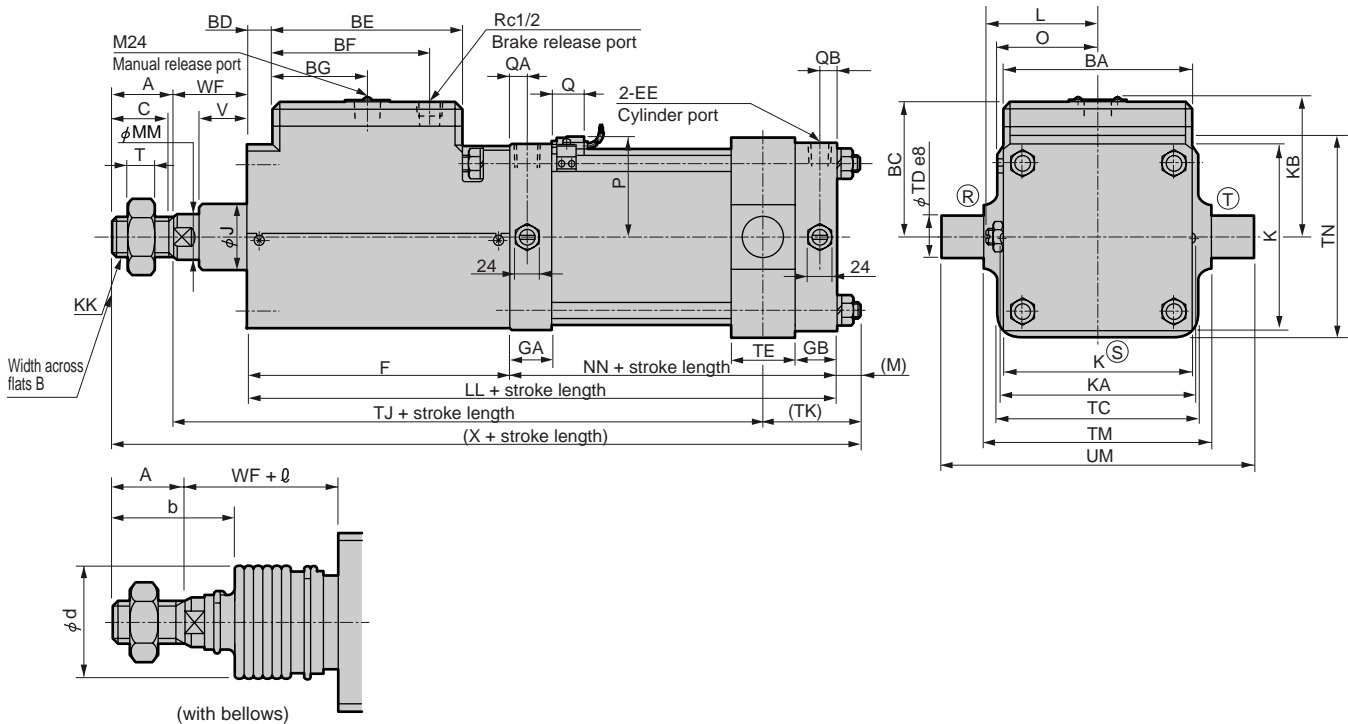
Symbol	Installation dimensions																With switch							
																	P			Q				
Bore size (mm)	NN	O	QA	QB	T	V	WF	X	TC	TD	TE	TF	TG	TM	TN	UM	Grommet	Terminal box		T2YDP*	Grommet	Terminal box		T2YDP*
																		R*B	R*A					
φ 125	91	71	14	15	18	35	55	416	150	32	50	315	51	170	150	234	78.5	107.5	103	80	32	44.5	30	
φ 140	102	78	16	17	18	35	57	445	154	36	55	339.5	55.5	190	170	262	85	114	109.5	86.5	32	44.5	30	
φ 160	105	88	16	17	21	48	71.5	500.5	190	40	60	385.5	59	212	190	292	93.5	122	117.5	95	32	44.5	30	
φ 180	109	98	16	17	24	53	78.5	540.5	210	45	65	414	63.5	236	210	326	109.5	130	125.5	103	32	44.5	30	

Symbol	With bellows				
Bore size (mm)	A	WF	b	d	∅
φ 125	50	55	74	75	(Stroke length/4.55) + 11
φ 140	50	57	74	75	(Stroke length/4.55) + 9
φ 160	56	71.5	82	80	(Stroke length/5.15) + 9
φ 180	63	78.5	91	90	(Stroke length/5.15) + 9

Dimensions (φ 125 to φ 180)



● Head end trunnion type (TB)



Note 1: A position can not be detected at head side stroke end.
 Note 2: (R)(S)(T) indicates a cushion needle position.
 Note 3: Refer to page 1353 for the dimensions of the accessory.

Symbol	Head end trunnion type (TB) basic dimensions																					
Bore size (mm)	A	B	BA	BC	BD	BE	BF	BG	C	EE	F	GA	GB	J	K	KA	KB	KK	L	LL	M	MM
φ 125	50	46	140	109	19.5	140	118	70	47	Rc1/2	200	31.5	29	55	140	150	115	M30 x 1.5	83 to 91	291	20	35
φ 140	50	46	157	116.5	18.5	157	128.5	78.5	47	Rc3/4	216	35.5	36	55	157	167	122.5	M30 x 1.5	91.5 to 99.5	318	20	35
φ 160	56	55	177	128	23	177	146.5	88.5	53	Rc3/4	245	38	36	62.5	177	190	134	M36 x 1.5	101.5 to 109.5	350	23	40
φ 180	63	60	200	146	14	200	170	100	60	Rc3/4	264	39	38.5	68.5	200	213	152	M40 x 1.5	113 to 121	373	26	45

Symbol	Installation dimensions																With switch						
																	P			Q			
	NN	O	QA	QB	T	V	WF	X	TC	TD	TE	TJ	TK	TM	TN	UM	Grommet	Terminal box		T2YDP*	Grommet	Terminal box	
Bore size (mm)																	R*B	R*A					
φ 125	91	71	14	15	18	35	55	416	150	32	50	285	81	170	150	234	78.5	107.5	103	80	32	44.5	30
φ 140	102	78	16	17	18	35	57	445	154	36	55	307.5	87.5	190	170	262	85	114	109.5	86.5	32	44.5	30
φ 160	105	88	16	17	21	48	71.5	500.5	190	40	60	351.5	93	212	190	292	93.5	122	117.5	95	32	44.5	30
φ 180	109	98	16	17	24	53	78.5	540.5	210	45	65	379	98.5	236	210	326	109.5	130	125.5	103	32	44.5	30

Symbol	With bellows				
Bore size (mm)	A	WF	b	d	ℓ
φ 125	50	55	74	75	(Stroke length/4.55) + 11
φ 140	50	57	74	75	(Stroke length/4.55) + 9
φ 160	56	71.5	82	80	(Stroke length/5.15) + 9
φ 180	63	78.5	91	90	(Stroke length/5.15) + 9

- SCP*2
- CMK2
- CMA2
- SCM
- SCG
- SCA2
- SCS
- CKV2
- CA/OV2
- SSD
- CAT
- MDC2
- MVC
- SMD2
- MSD*
- FC*
- STK
- ULK*
- JSK/M2
- JSG
- JSC3**
- USSD
- USC
- JSB3
- LMB
- STG
- STS/L
- LCS
- LCG
- LCM
- LCT
- LCY
- STR2
- UCA2
- HCM
- HCA
- SRL2
- SRG
- SRM
- SRT
- MRL2
- MRG2
- SM-25
- CAC3
- UCAC
- RCC2
- MFC
- SHC
- GLC
- Ending

Brake cylinder (medium and large bore size)
 With brake