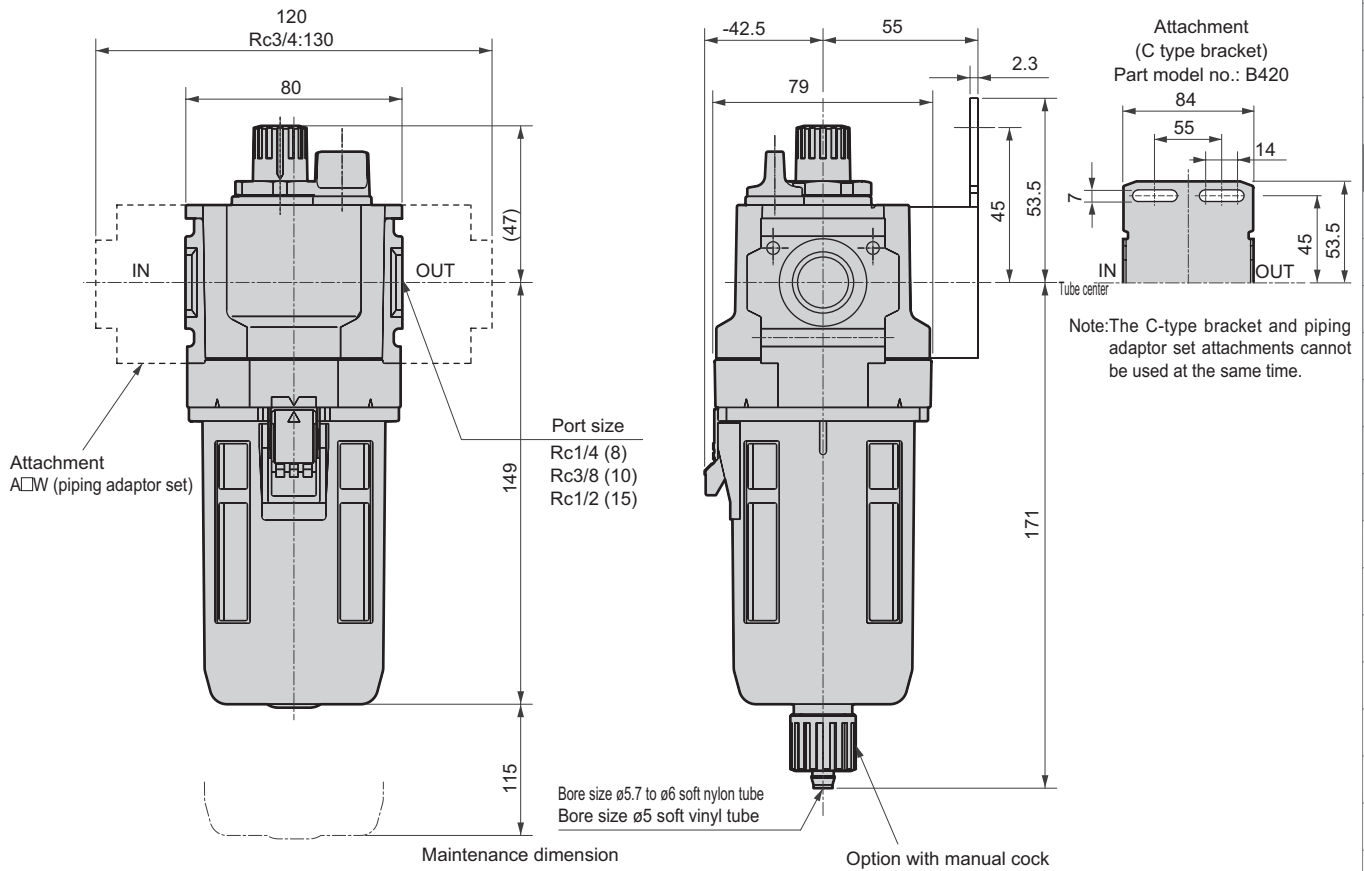




### Dimensions

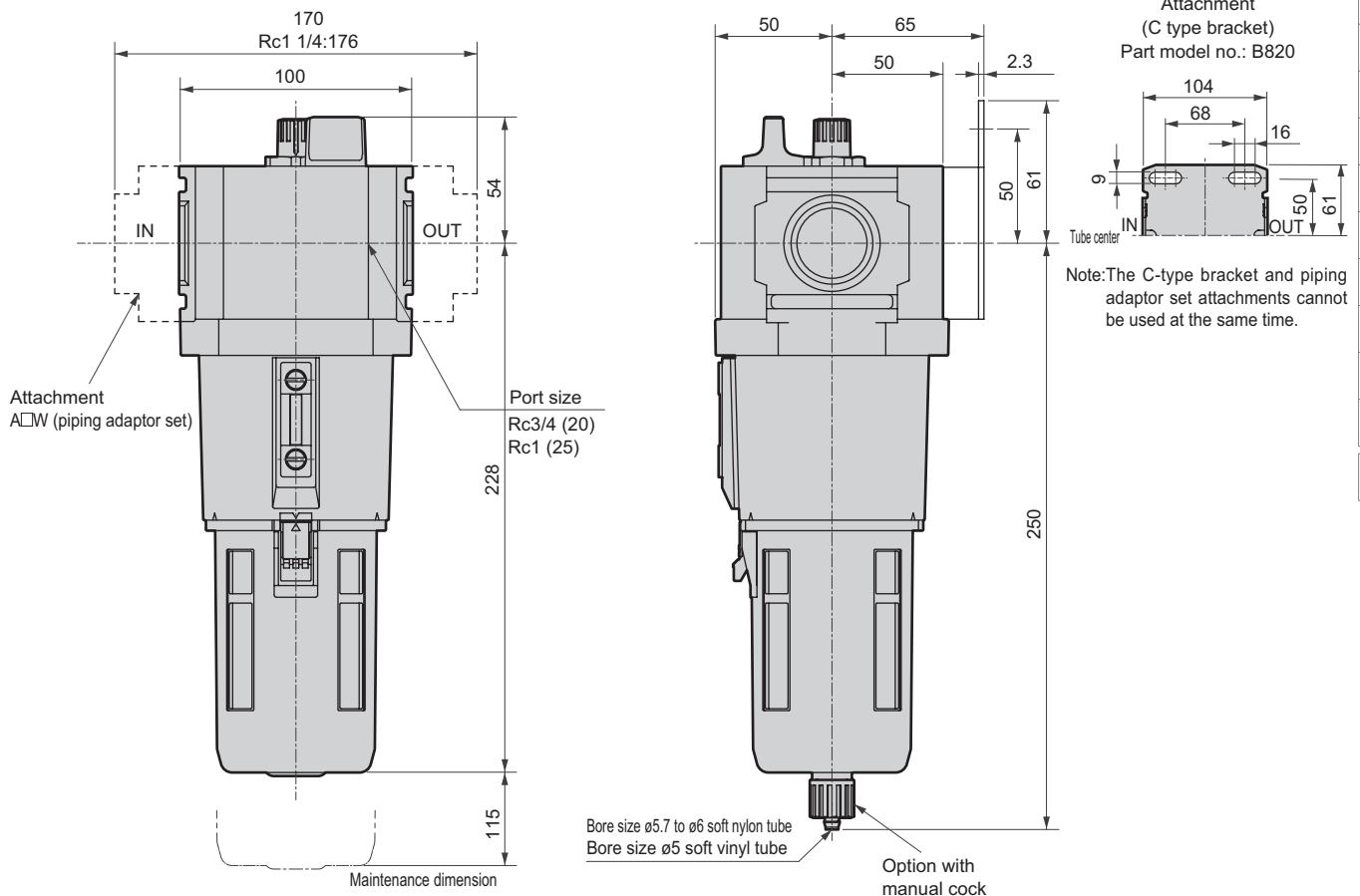


#### ● L4000-W



Note: The C-type bracket and piping adaptor set attachments cannot be used at the same time.

#### ● L8000-W



Refrigerating type dryer
Desiccant type dryer
High polymer membrane type dryer
Air filter
Auto. drain / others
F.R.L. (Module unit)
F.R.L. (Separate)
Compact F.R.
Precise regulator
F.R.L. (Related products)
Clean F.R.
Electro pneumatic regulator
Air booster
Speed control valve
Silencer
Check valve / others
Joint / tube
Vacuum filter
Vacuum regulator
Suction plate
Magnetic spring buffer
Mechanical pressure SW
Electronic pressure SW
Contact / close contact cont. SW
Air sensor
Pressure SW for coolant
Small flow sensor
Small flow controller
Flow sensor for air
Flow sensor for water
Total air system
Total air system (Gamma)
Ending

Standard series  
F.R.L. unit

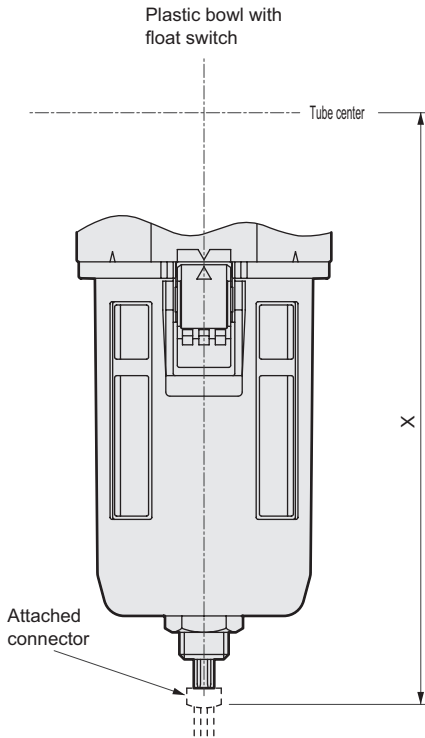
# Lubricator Series

## Optional dimensions

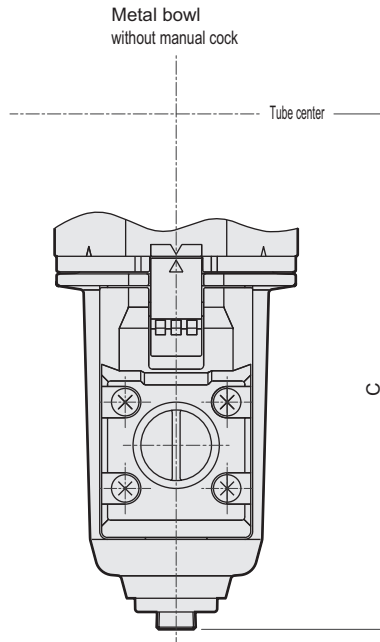


Other options (L3000-W, 4000-W, 8000-W)

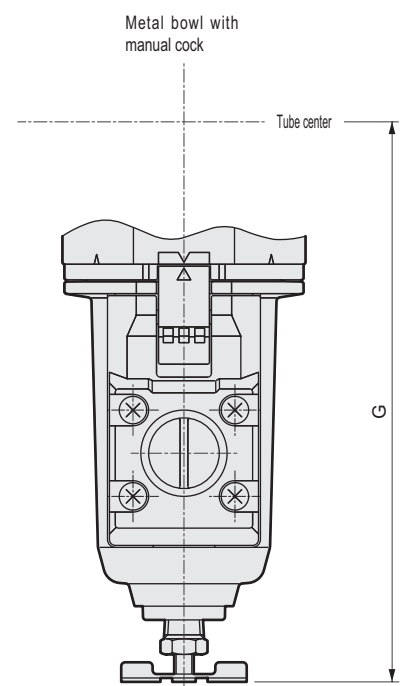
● Plastic bowl (blank)



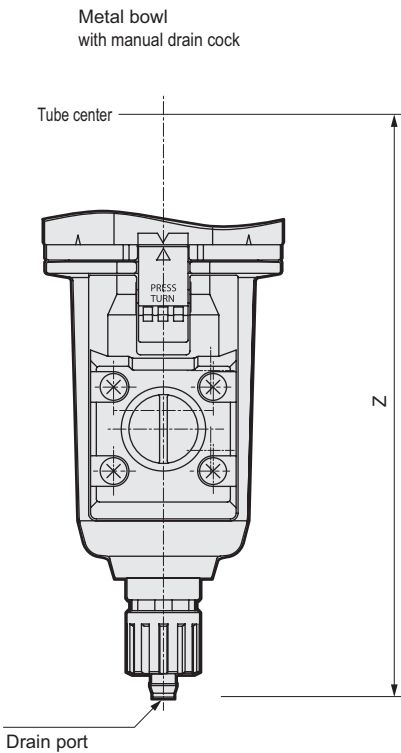
● Metal bowl without manual cock (M)



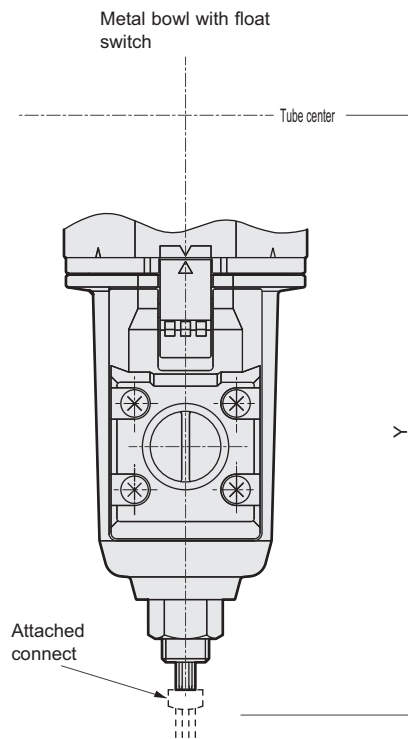
● Metal bowl with manual cock (CM)



● Metal bowl with manual cock (CM1)



● Metal bowl with float switch (LLM)



Model no.	C	G	X	Y	Z
L3000-W	129	143.5	147	153.5	154
L4000-W	152	166.5	170	177	177
L8000-W	231.5	245.5	249	256	256

- Refrigerating type dryer
- Desiccant type dryer
- High polymer membrane type dryer
- Air filter
- Auto. drain / others
- F.R.L. (Module unit)
- F.R.L. (Separate)
- Compact F.R.
- Precise regulator
- F.R.L. (Related products)
- Clean F.R.
- Electro pneumatic regulator
- Air booster
- Speed control valve
- Silencer
- Check valve / others
- Joint / tube
- Vacuum filter
- Vacuum regulator
- Suction plate
- Magnetic spring buffer
- Mechanical pressure SW
- Electronic pressure SW
- Contact / close contact cont. SW
- Air sensor
- Pressure SW for coolant
- Small flow sensor
- Small flow controller
- Flow sensor for air
- Flow sensor for water
- Total air system
- Total air system (Gamma)
- Ending