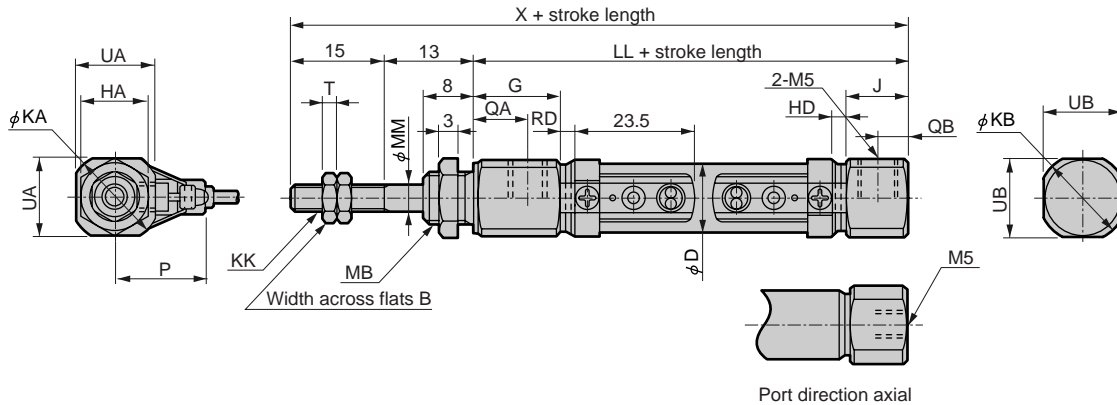


Dimensions



● SCPD2-(L) basic type (00)



Note 1: Without switch dimensions are also same. (Magnet is not integrated.)

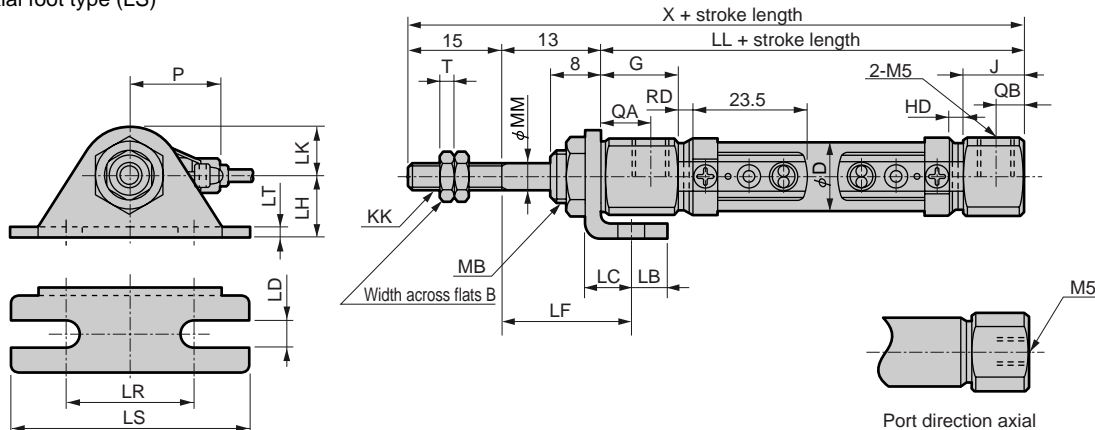
Note 2: The φ6 and φ10 port thread depth is 3.8 mm. When using a joint, prepare a joint with a thread length of 3.8 mm or less.

Note 3: Refer to page 78 for dimensions drawings of accessories.

Symbol	Basic type (00) basic dimensions															
Bore size (mm)	B	D	G	HA	J	KA	KB	KK	LL	MB	MM	QA	QB	T	UA	UB
φ6	5.5	6.8	17	8	8	13.5	13.5 (9)	M3	47	M6	3	13	4	1.8	11	11 (8)
φ10	7	11	12.5	11	9	14.5	14.5	M4	46	M8 x 1.0	4	8	4.5	2.4	12	12
φ16	8	17.4	13	14	9	21.5	21.5	M5	46	M10 x 1.0	5	8.5	4.5	3.2	18	18

Symbol	With switch				The axial direction port is shown in parentheses.
Bore size (mm)	X	RD	P	HD	
φ6	75	1.5	14	1.5	
φ10	74	3	16	1.5	
φ16	74	2.5	19	1.5	

● Single axial foot type (LS)



Note 1: Without switch dimensions are also same. (Magnet is not integrated.)

Note 2: Port size M3 type is available for φ6 cylinder.

Note 3: The φ6 and φ10 port thread depth is 3.8 mm. When using a joint, prepare a joint with a thread length of 3.8 mm or less.

Note 4: Refer to page 78 for dimensions drawings of accessories.

Symbol	Single axial foot type (LS) basic dimensions											Installation dimensions					
Bore size (mm)	B	D	G	J	KK	MB	MM	QA	QB	T	X	LB	LC	LD	LF	LL	LH
φ6	5.5	6.8	17	8	M3	M6	3	13	4	1.8	75	5	7	4.2	18.4	47	9
φ10	7	11	12.5	9	M4	M8 x 1.0	4	8	4.5	2.4	74	5	7	4.2	18.4	46	9
φ16	8	17.4	13	9	M5	M10 x 1.0	5	8.5	4.5	3.2	74	6	9	5.2	19.7	46	14

Symbol	With switch						
Bore size (mm)	LK	LR	LS	LT	RD	P	HD
φ6	7	22	32	1.6	1.5	14	1.5
φ10	7	22	32	1.6	3	16	1.5
φ16	10	29	42	2.3	2.5	19	1.5

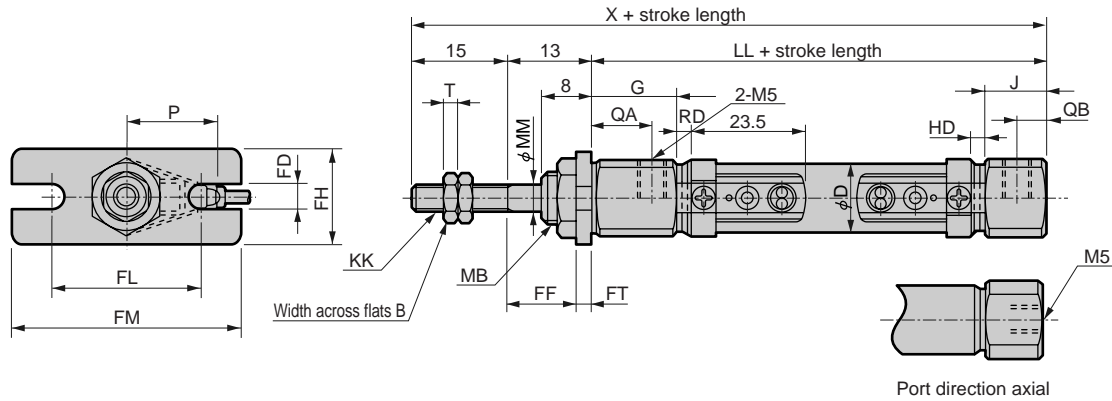
- SCPD2
- CMK2
- CMA2
- SCM
- SCG
- SCA2
- SCS
- CKV2
- CA/OV2
- SSD
- CAT
- MDC2
- MVC
- SMD2
- MSD*
- FC*
- STK
- ULK*
- JSK/M2
- JSG
- JSC3
- USSD
- USC
- JSB3
- LMB
- STG
- STS/L
- LCS
- LCG
- LCM
- LCT
- LCY
- STR2
- UCA2
- HCM
- HCA
- SRL2
- SRG
- SRM
- SRT
- MRL2
- MRG2
- SM-25
- CAC3
- UCAC
- RCC2
- MFC
- SHC
- GLC
- Ending

Pencil shaped cylinder
Standard type

Dimensions



● Rod side flange type (FA)



Note 1: Without switch dimensions are also same. (Magnet is not integrated.)

Note 2: Port size M3 type is available for φ6 cylinder.

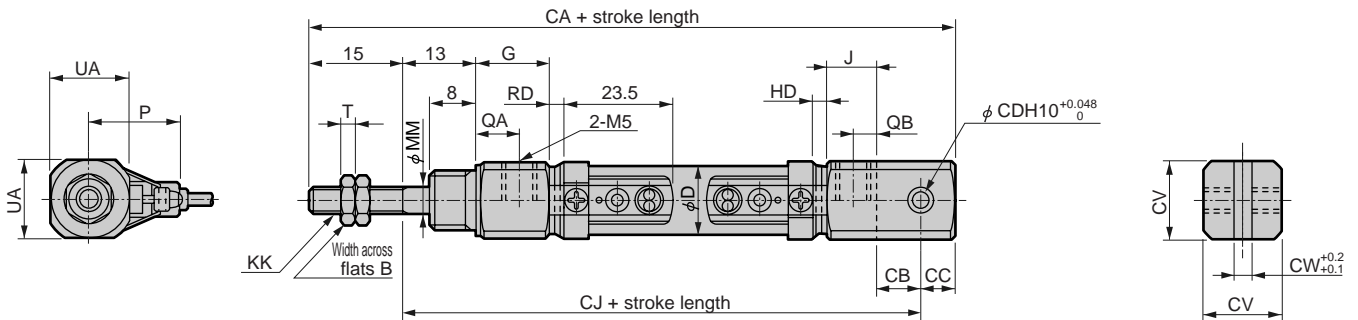
Note 3: The φ6 and φ10 port thread depth is 3.8 mm. When using a joint, prepare a joint with a thread length of 3.8 mm or less.

Note 4: Refer to page 78 for dimensions drawings of accessories.

Symbol	Rod flange types (FA) basic dimensions												Installation dimensions				
	B	D	G	J	KK	LL	MB	MM	QA	QB	T	X	FD	FF	FH	FL	FM
φ6	5.5	6.8	17	8	M3	47	M6	3	13	4	1.8	75	4.2	11.4	14	22	32
φ10	7	11	12.5	9	M4	46	M8 x 1.0	4	8	4.5	2.4	74	4.2	11.4	14	22	32
φ16	8	17.4	13	9	M5	46	M10 x 1.0	5	8.5	4.5	3.2	74	5.2	10.7	20	29	42

Symbol	With switch			
	FT	RD	P	HD
φ6	1.6	1.5	14	1.5
φ10	1.6	3	16	1.5
φ16	2.3	2.5	19	1.5

● Clevis bracket type (CB)



Note 1: Without switch dimensions are also same. (Magnet is not integrated.)

Note 2: Port size M3 type is available for φ6 cylinder.

Note 3: The φ6 and φ10 port thread depth is 3.8 mm. When using a joint, prepare a joint with a thread length of 3.8 mm or less.

Note 4: Pin and snap ring are attached.

Note 5: Refer to page 78 for dimensions drawings of accessories.

Symbol	Clevis (CB) basic dimensions										Installation dimensions				
	B	D	G	J	KK	MM	QA	QB	T	UA	CA	CB	CC	CD	CJ
φ10	7	11	12.5	9	M4	4	8	4.5	2.4	12	87	8	5	3.2	67
φ16	8	17.4	13	9	M5	5	8.5	4.5	3.2	18	94	10	10	5	69

Symbol	With switch				
	CV	CW	RD	P	HD
φ10	12	3.2	3	16	1.5
φ16	18	6.5	2.5	19	1.5