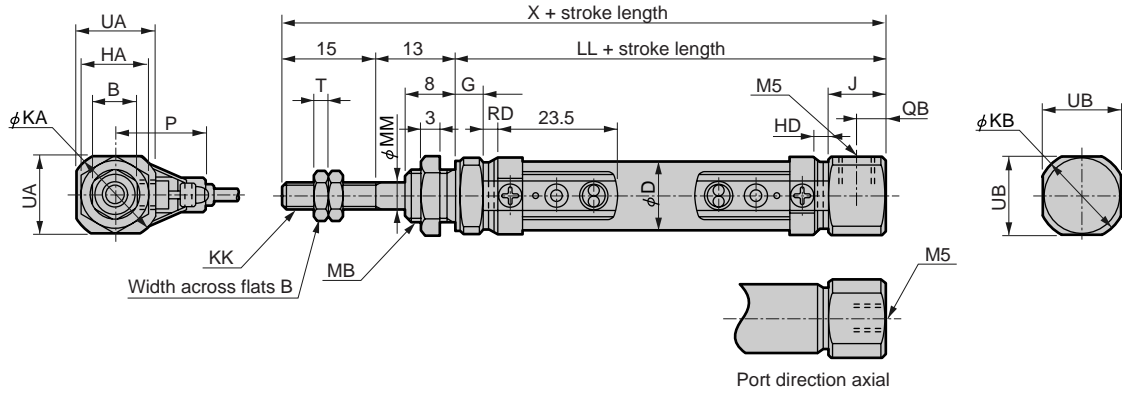


Dimensions



● SCPS2-(L) basic type (00)



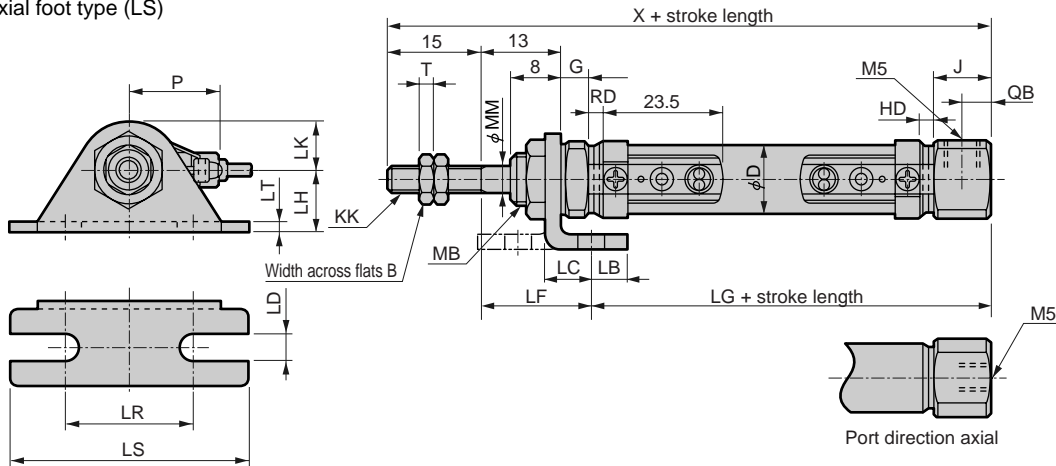
Note 1: Port size M3 type is available for φ6 cylinder. The maximum stroke for φ6 is 100 mm.
 Note 2: The φ6 and φ10 port thread depth is 3.8 mm. When using a joint, prepare a joint with a thread length of 3.8 mm or less.
 Note 3: Dimensions in parentheses apply when the head side port direction is in the "0" axis direction.
 Note 4: Refer to page 78 for dimensions drawings of accessories.

- Refer to page 79 for the X and LL dimensions of the custom stroke length.
- Without switch dimensions are also same. (Magnet is not integrated.)

Symbol	Basic type (00) basic dimensions														MB	MM	QB	T		
	B	D	G	HA	J	KA	KB	KK	LL											
Bore size (mm)									15 or less	15 to 30	30 to 45	45 to 60	60 to 75	75 to 90	90 to 105	105 to 120				
φ6	5.5	6.8	3	8	8	9	13.5(9)	M3	45	57	69	81	93	105	117(*1)	-	M6	3	4	1.8
φ10	7	11	4	11	9	14.5	14.5	M4	49	61	73	85	97	109	121	133	M8 x 1.0	4	4.5	2.4
φ16	8	17.4	4	14	9	21.5	21.5	M5	49	61	73	85	97	109	121	133	M10 x 1.0	5	4.5	3.2

Symbol	With switch										P	HD								
	X					RD														
Bore size (mm)	UA	UB	15 or less	15 to 30	30 to 45	45 to 60	60 to 75	75 to 90	90 to 105	105 to 120	15 or less	15 to 30	30 to 45	45 to 60	60 to 75	75 to 90	90 to 105	105 to 120		
φ6	8	11(8)	73	85	97	109	121	133	145(*1)	-	13.5	25.5	37.5	49.5	61.5	73.5	85.5(*1)	-	14	1.0
φ10	12	12	77	89	101	113	125	137	149	161	14.5	26.5	38.5	50.5	62.5	74.5	86.5	98.5	16	1.5
φ16	18	18	77	89	101	113	125	137	149	161	14.5	26.5	38.5	50.5	62.5	74.5	86.5	98.5	19	1.5

● Single axial foot type (LS)



Note 1: Port size M3 type is available for φ6 cylinder. The maximum stroke for φ6 is 100 mm.
 Note 2: The φ6 and φ10 port thread depth is 3.8 mm. When using a joint, prepare a joint with a thread length of 3.8 mm or less.
 Note 3: Refer to page 78 for dimensions drawings of accessories.

- Refer to page 79 for the X and LG dimensions of the custom stroke length.
- Without switch dimensions are also same. (Magnet is not integrated.)

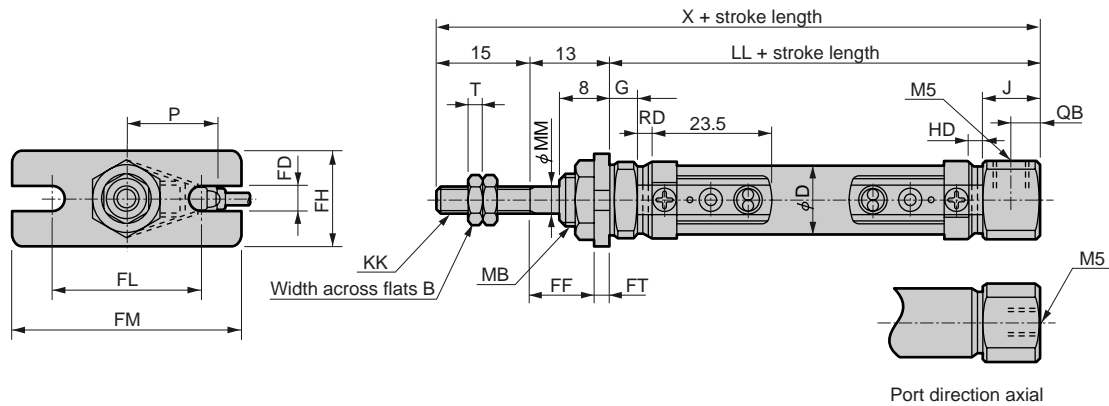
Symbol	Single axial foot type (LS) basic dimensions														Installation dimensions							
	B	D	G	KK	MB	MM	QB	T	X						LB	LC	LD	LF	LG			
Bore size (mm)									15 or less	15 to 30	30 to 45	45 to 60	60 to 75	75 to 90	90 to 105	105 to 120					15 or less	15 to 30
φ6	5.5	6.8	3	M3	M6	3	4	1.8	73	85	97	109	121	133	145(*1)	-	5	7	4.2	18.4	39.6	51.6
φ10	7	11	4	M4	M8 x 1.0	4	4.5	2.4	77	89	101	113	125	137	149	161	5	7	4.2	18.4	43.6	55.6
φ16	8	17.4	4	M5	M10 x 1.0	5	4.5	3.2	77	89	101	113	125	137	149	161	6	9	5.2	19.7	42.3	54.3

Symbol	With switch										P	HD									
	LG					RD															
Bore size (mm)	30 to 45	45 to 60	60 to 75	75 to 90	90 to 105	105 to 120	LH	LK	LR	LS	LT	15 or less	15 to 30	30 to 45	45 to 60	60 to 75	75 to 90	90 to 105	105 to 120		
φ6	63.6	75.6	87.6	99.6	111.6(*1)	-	9	7	22	32	1.6	13.5	25.5	37.5	49.5	61.5	73.5	85.5(*1)	-	14	1.0
φ10	67.6	79.6	91.6	103.6	115.6	127.6	9	7	22	32	1.6	14.5	26.5	38.5	50.5	62.5	74.5	86.5	98.5	16	1.5
φ16	76.3	78.3	90.3	102.3	114.3	126.3	14	10	29	42	2.3	14.5	26.5	38.5	50.5	62.5	74.5	86.5	98.5	19	1.5

Dimensions



● Rod side flange type (FA)



Note 3: Port size M3 type is available for φ6 cylinder. The maximum stroke for φ6 is 100 mm.

Note 4: The φ6 and φ10 port thread depth is 3.8 mm. When using a joint, prepare a joint with a thread length of 3.8 mm or less.

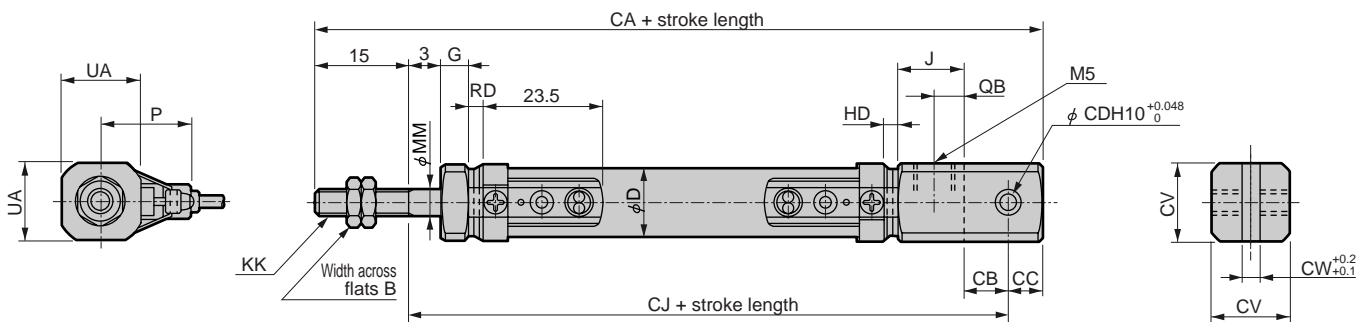
Note 5: Refer to page 78 for dimensions drawings of accessories.

Note 1: Refer to page 79 for the X and LL dimensions of the custom stroke length.
Note 2: Without switch dimensions are also same. (Magnet is not integrated.)

Symbol		Rod side flange type (FA) basic dimensions																			
Bore size (mm)		B	D	G	J	KK	LL						MB	MM	QB	T	X				
							15 or less	15 to 30	30 to 45	45 to 60	60 to 75	75 to 90					90 to 105	105 to 120	15 or less	15 to 30	30 to 45
φ6		5.5	6.8	3	8	M3	45	57	69	81	93	105	117(*1)	-	M6	3	4	1.8	73	85	97
φ10		7	11	4	9	M4	49	61	73	85	97	109	121	133	M8 x 1.0	4	4.5	2.4	77	89	101
φ16		8	17.4	4	9	M5	49	61	73	85	97	109	121	133	M10 x 1.0	5	4.5	3.2	77	89	101

Symbol		Installation dimensions									With switch											
Bore size (mm)		X					FD	FF	FH	FL	FM	FT	RD						P	HD		
		45 to 60	60 to 75	75 to 90	90 to 105	105 to 120							15 or less	15 to 30	30 to 45	45 to 60	60 to 75	75 to 90			90 to 105	105 to 120
φ6		109	121	133	145(*1)	-	4.2	11.4	14	22	32	1.6	13.5	25.5	37.5	49.5	61.5	73.5	85.5(*1)	-	14	1.0
φ10		113	125	137	149	161	4.2	11.4	14	22	32	1.6	14.5	26.5	38.5	50.5	62.5	74.5	86.5	98.5	16	1.5
φ16		113	125	137	149	161	5.2	10.7	20	29	42	2.3	14.5	26.5	38.5	50.5	62.5	74.5	86.5	98.5	19	1.5

● Clevis bracket type (CB)



Note 3: The φ6 and φ10 port thread depth is 3.8 mm. When using a joint, prepare a joint with a thread length of 3.8 mm or less.

Note 4: Pin and snap ring are attached.

Note 5: Refer to page 78 for dimensions drawings of accessories.

Note 1: Refer to page 79 for the CA and CJ dimensions of the custom stroke length.
Note 2: Without switch dimensions are also same. (Magnet is not integrated.)

Symbol		Clevis bracket type (CB) basic dimensions.									Installation dimensions										
Bore size (mm)		B	D	G	J	KK	MM	QB	T	UA	CA						CB	CC	CD		
											15 or less	15 to 30	30 to 45	45 to 60	60 to 75	75 to 90				90 to 105	105 to 120
φ10		7	11	4	9	M4	4	4.5	2.4	12	80	92	104	116	128	140	152	164	8	5	3.2
φ16		8	17.4	4	9	M5	5	4.5	3.2	18	87	99	111	123	135	147	159	171	10	10	5

Symbol		With switch																			
Bore size (mm)		CJ						CV	CW	RD						P	HD				
		15 or less	15 to 30	30 to 45	45 to 60	60 to 75	75 to 90			90 to 105	105 to 120	15 or less	15 to 30	30 to 45	45 to 60			60 to 75	75 to 90	90 to 105	105 to 120
φ10		60	72	84	96	108	120	132	144	12	3.2	14.5	26.5	38.5	50.5	62.5	74.5	86.5	98.5	16	1.5
φ16		62	74	86	98	110	122	134	146	18	6.5	14.5	26.5	38.5	50.5	62.5	74.5	86.5	98.5	19	1.5

- SCP*2
- CMK2
- CMA2
- SCM
- SCG
- SCA2
- SCS
- CKV2
- CA/OV2
- SSD
- CAT
- MDC2
- MVC
- SMD2
- MSD*
- FC*
- STK
- ULK*
- JSK/M2
- JSG
- JSC3
- USSD
- USC
- JSB3
- LMB
- STG
- STS/L
- LCS
- LCG
- LCM
- LCT
- LCY
- STR2
- UCA2
- HCM
- HCA
- SRL2
- SRG
- SRM
- SRT
- MRL2
- MRG2
- SM-25
- CAC3
- UCAC
- RCC2
- MFC
- SHC
- GLC
- Ending

Pencil shaped cylinder Standard type