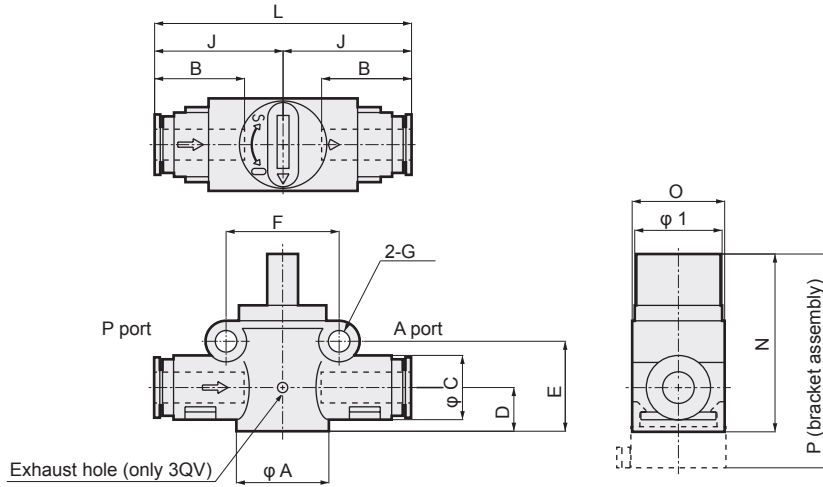


2QV/3QV Series



Dimensions

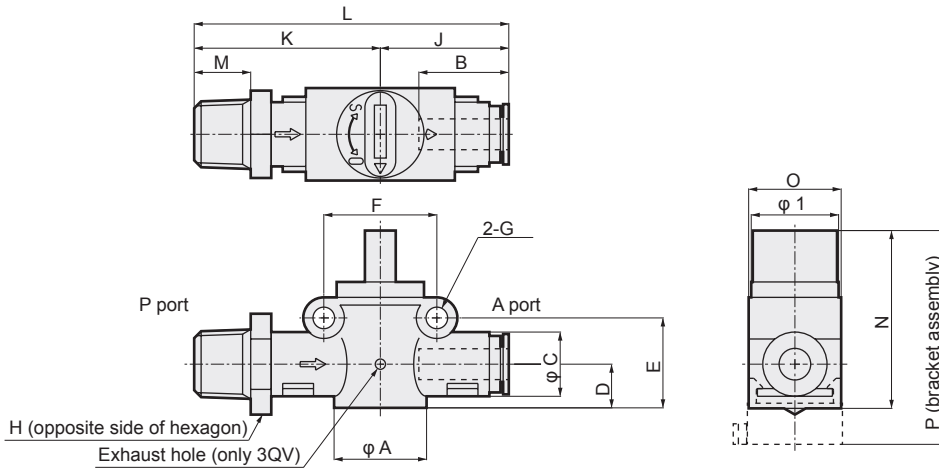
- Port size
- P port (push-in fitting)/A port (push-in fitting)



Applicable tube O.D. (mm)	Model no.	A	B	C	D	E	F	G	I	J	L	N	O	P	Weight (g)	Effective cross-sectional area (mm ²)	
																P port	A port
4KA/B	2/3 QV-04-04	18	16	12.5	8.5	17.5	22	4.2	17	25	50	34.5	18	41.5	20	4.2	1.8
4KA/B (Master)	2/3 QV-06-06		17.5													21	
4KA/B (Master)	2/3 QV-08S-08S	22	19	17.5	10.7	22.8	26.5	4.2	17	26.5	53	39.8	22	46.8	23	10.2	4.0
4F	2/3 QV-08-08		19													34	
4F (Master)	2/3 QV-10-10	22	21.5	20	10.7	22.8	26.5	4.2	17	31.5	63	39.8	22	46.8	35	22.5	4.0
4F (Master)	2/3 QV-12-12		23													38	

* Tolerance of effective cross-sectional area is ±10%.

- Port size
- P port (male thread)/A port (push-in fitting)



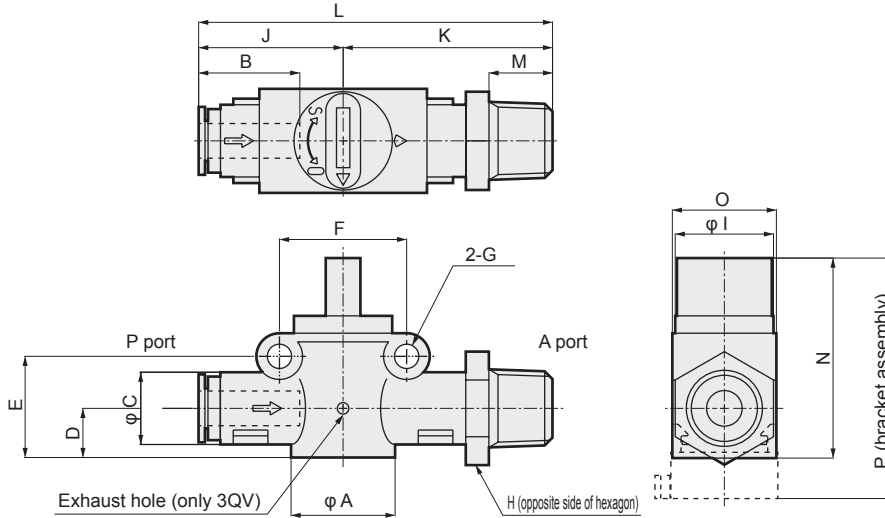
Port thread R	Applicable tube O.D. (mm)	Model no.	A	B	C	D	E	F	G	H	I	J	K	L	M	N	O	P	Weight (g)	Effective cross-sectional area (mm ²)	
																				P port	A port
SKH	1/8	2/3 QV-6A-04	18	16	12.5	8.5	17.5	22	4.2	14	17	25	33.5	58.5	8	34.5	18	41.5	26	4.2	1.8
PCD	1/8	2/3 QV-6A-06		17.5																32	
Silencer	1/4	2/3 QV-8A-06	22	19	17.5	10.7	22.8	26.5	4.2	17	17	26.5	38	64.5	11	39.8	22	46.8	35	9.3	4.0
	1/4	2/3 QV-8A-08S		19																40	
Total air system	3/8	2/3 QV-10A-08	22	19	17.5	10.7	22.8	26.5	4.2	17	17	31.5	44.5	76	12	39.8	22	46.8	57	16.3	4.0
	3/8	2/3 QV-10A-10		19																63	
Total air system (Gamma)	1/2	2/3 QV-15A-10	22	21.5	20.0	10.7	22.8	26.5	4.2	22	17	33	47.5	79	15	39.8	22	46.8	76	21.4	4.0
	1/2	2/3 QV-15A-12		23																85	

* Tolerance of effective cross-sectional area is ±10%.

Dimensions



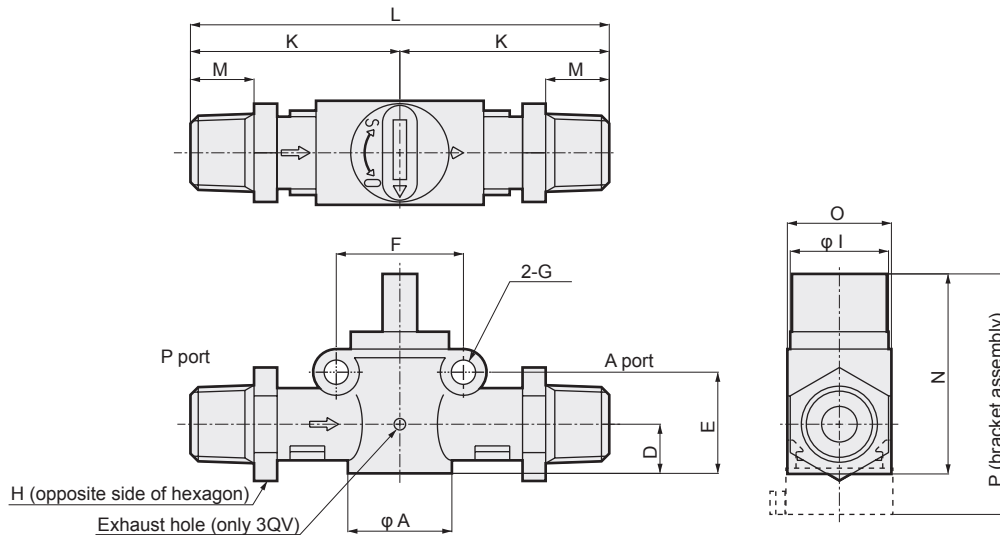
- Port size
 - P port (push-in fitting)/A port (male thread)



Applicable tube O.D. (mm)	Port thread R		Model no.	A	B	C	D	E	F	G	H	I	J	K	L	M	N	O	P	Weight (g)	Effective cross-sectional area (mm ²)	
	P port	A port		P→A	A→R																	
φ 4	1/8	2/3	QV-04-6A	18	16	12.5	8.5	17.5	22	4.2	14	17	25	33.5	58.5	8	34.5	18	41.5	26	3.5	1.8
φ 6	1/8	2/3	QV-06-6A		17.5																17	
φ 6	1/4	2/3	QV-06-8A		19	14.5					35		9.3									
φ 8	1/4	2/3	QV-08S-8A	22	19	17.5	10.7	22.8	26.5	4.2	17	17	26.5	44.5	76	12	39.8	22	46.8	40	10.2	4.0
φ 8	3/8	2/3	QV-08-10A		19																17	
φ 10	3/8	2/3	QV-10-10A	21.5	19	63					21.4											
φ 10	1/2	2/3	QV-10-15A	23	20.0	15	10.7	22.8	26.5	4.2	19	17	47.5	79	15	39.8	22	46.8	76	21.4	4.0	
φ 12	1/2	2/3	QV-12-15A																	22		22

* Tolerance of effective cross-sectional area is ±10%.

- Port size
 - P port (male thread)/A port (male thread)



Port thread R		Model no.	A	D	E	F	G	H	I	K	L	M	N	O	P	Weight (g)	Effective cross-sectional area (mm ²)		
P port	A port		P→A	A→R															
1/8	1/8	2/3	QV-6A-6A	18	8.5	17.5	22	4.2	14	17	33.5	67	8	34.5	18	41.5	42	9.5	1.8
1/4	1/4	2/3	QV-8A-8A															17	
3/8	3/8	2/3	QV-10A-10A	22	10.7	22.8	26.5	4.2	19	17	44.5	89	12	39.8	22	46.8	90	21.4	4.0
1/2	1/2	2/3	QV-15A-15A															22	

* Tolerance of effective cross-sectional area is ±10%.

4GA/
B
M4GA/
B
4GA4/
B4
MN4GA/
B
4GA/B
(Master)
MN3E
MN4E
W4GA/
B2
W4GB4
4TB
4L2-4/
LMF0
MN3S0
MN4S0
4SA/
B0
4KA/
B
4KA/B
(Master)
4F
4F
(Master)
PV5G
GMF
PV5
GMF
PV5S-
0
3QR
3QB
3MA/
B0
3PA/
B
P/M/B
NP/NAP
NVP
4F*0E
HMV
HSV
**2QV
3QV**
SKH
PCD
Silencer
Total air
system
Total air system
(Gamma)
Ending

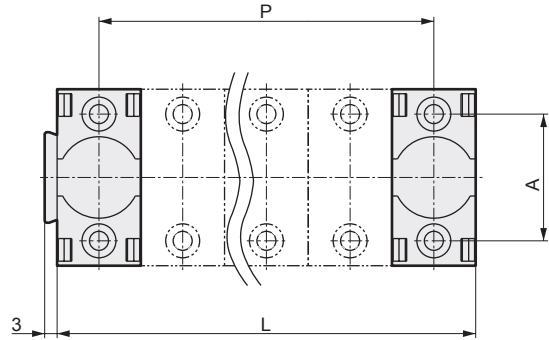
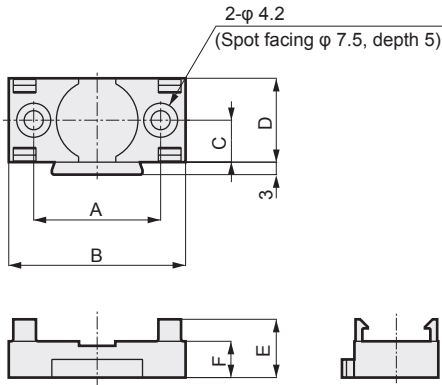
2QV/3QV Series



Dimensions

● Dedicated bracket

● Mounting pitch dimension for manifold



Model no.	A	B	C	D	E	F	P	L	Subject A dimension	Weight g
2QV-P1	28	39	9.25	18.5	13	8	D × (n-1)	D × n	18	5.4
2QV-P2	32	44	11.25	22.5	12.5	8			22	7.2

n = station no.

Custom order product

A quick exhaust valve with an air lamp is available as a customized order part. Contact CKD for details.

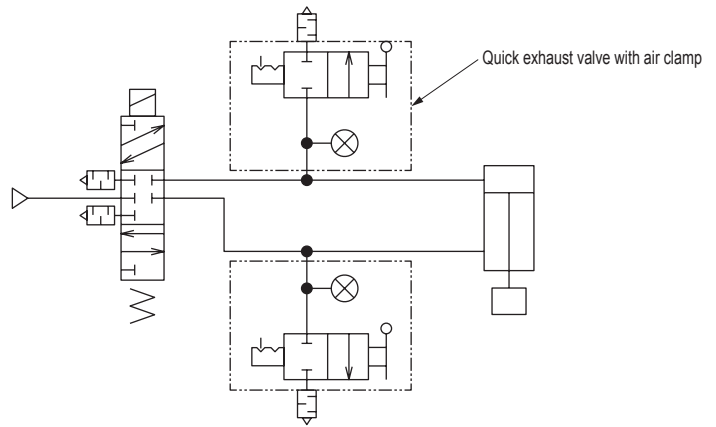
Note: Note that φ 12 type is not available.

Specifications

Descriptions	Air light
Working fluid	Air
Working pressure MPa	0.05 to 0.8
Fluid temperature °C	0 to 60
Ambient temperature °C	0 to 60
Display color	Red, green

Applications

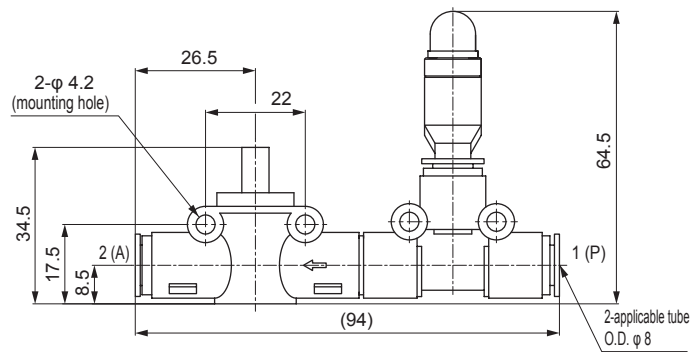
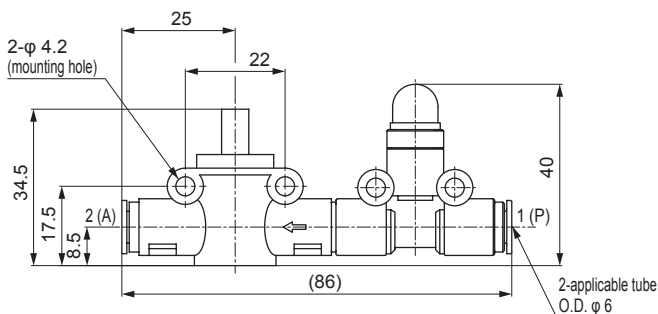
- For cylinder residual pressure exhaust



Example of assembly

● When using 2QV-06-06 with air light

● When using 2QV-08S-08S with air light



● Types 3QV-06 to 10 with air lights are also available. Contact CKD for details.