

Dimensions

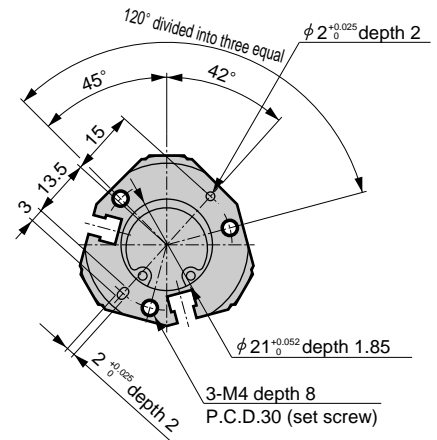
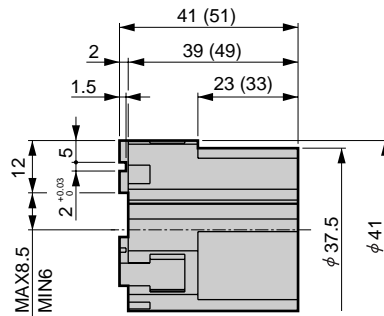
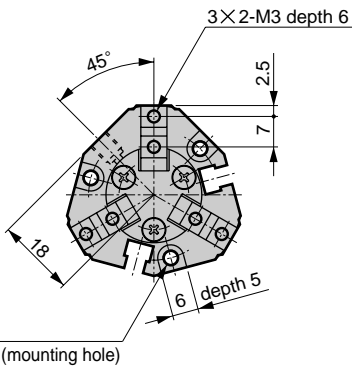
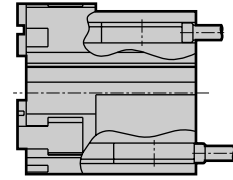
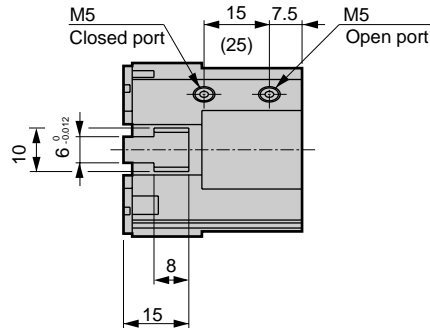


RRC
GRC
RV3*
NHS
HR
LN
FH100
HAP
BSA2
BHA/BHG
LHA
LHAG
HKP
HLA/HLB
HLAG/HLBG
HEP
HCP
HMF
HMFB
HFP
HLC
HGP
FH500
HBL
HDL
HMD
HJL
BHE
CKG
CK
CKA
CKS
CKF
CKJ
CKL2
CKL2-*.HC
CKH2
CKLB2
NCK/SCK/FCK
FJ
FK
Ending

● CKL2-20CS standard/O/C

● With switch

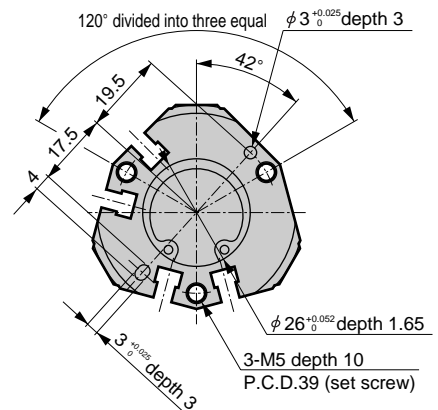
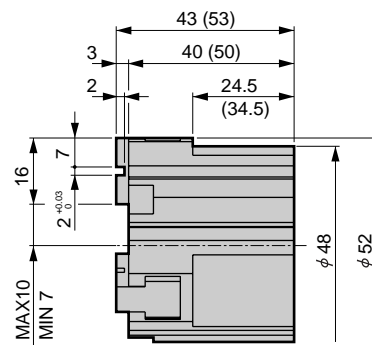
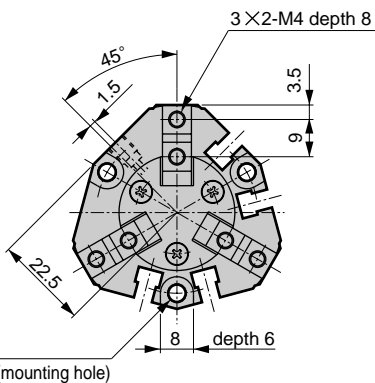
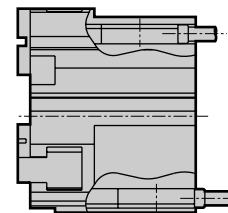
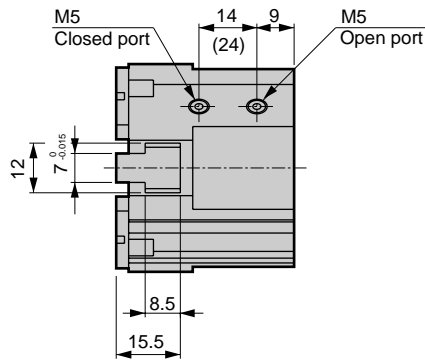
· Dimension in () for O [normally open] and C [normally closed] specifications.



● CKL2-25CS standard/O/C

● With switch

· Dimension in () for O [normally open] and C [normally closed] specifications.



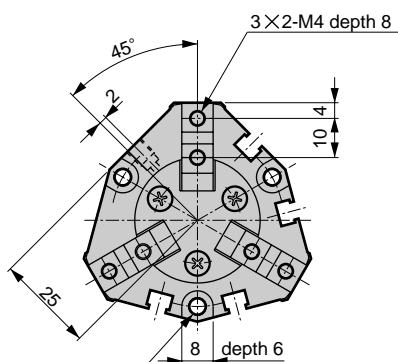
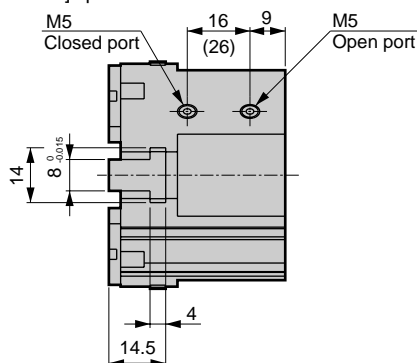
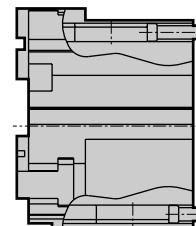
Dimensions



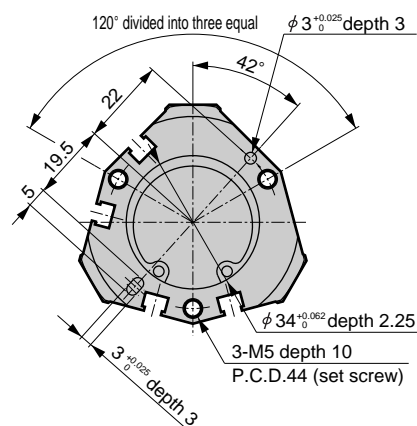
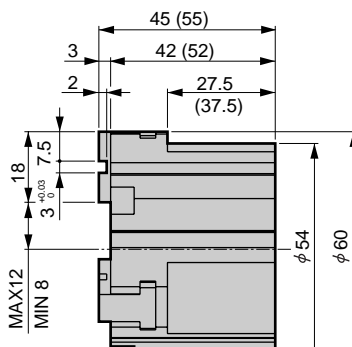
● CKL2-32CS standard/O/C

· Dimension in () for O [normally open] and C [normally closed] specifications.

● With switch



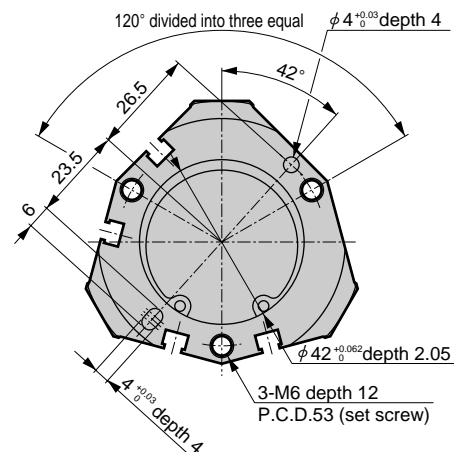
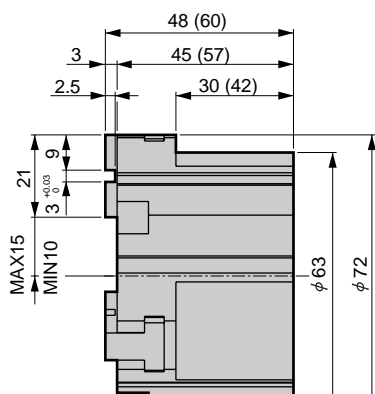
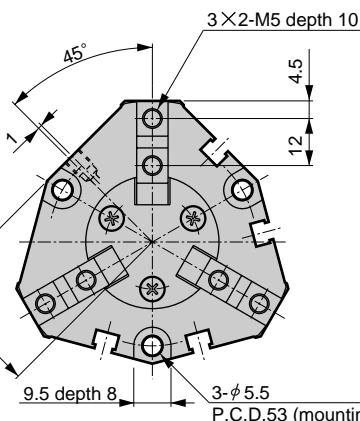
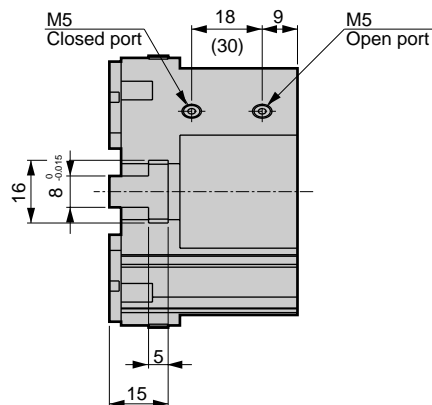
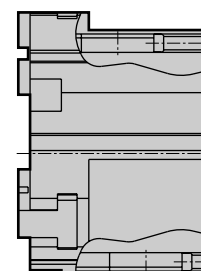
3- ϕ 4.5
P.C.D.44 (mounting hole)



● With switch

● CKL2-40CS standard/O/C

· Dimension in () for O [normally open] and C [normally closed] specifications.



RRC
GRC
RV3*
NHS
HR
LN
FH100
HAP
BSA2
BHA/ BHG
LHA
LHAG
HKP
HLA/ HLB
HLAG/ HLBG
HEP
HCP
HMF
HMFB
HFP
HLC
HGP
FH500
HBL
HDL
HMD
HJL
BHE
CKG
CK
CKA
CKS
CKF
CKJ
CKL2
CKL2 *-HC
CKH2
CKLB2
NCK/ SCK/FCK
FJ
FK
Ending

Powerful chuck
Chuck

Dimensions

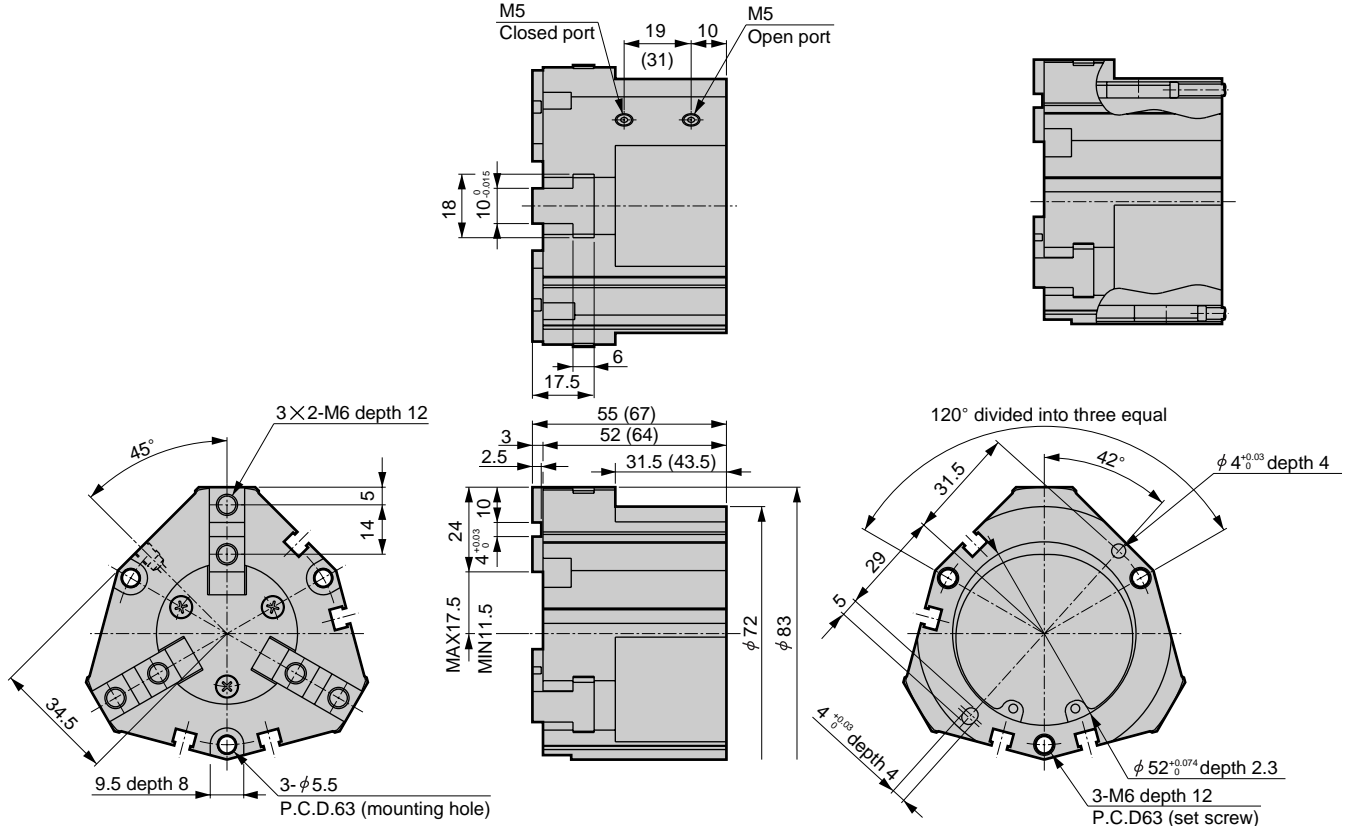


RRC
GRC
RV3*
NHS
HR
LN
FH100
HAP
BSA2
BHA/BHG
LHA
LHAG
HKP
HLA/HLB
HLAG/HLBG
HEP
HCP
HMF
HMFB
HFP
HLC
HGP
FH500
HBL
HDL
HMD
HJL
BHE
CKG
CK
CKA
CKS
CKF
CKJ
CKL2
CKL2 *-HC
CKH2
CKLB2
NCK/ SCK/FCK
FJ
FK
Ending

● CKL2-50CS standard/O/C

● With switch

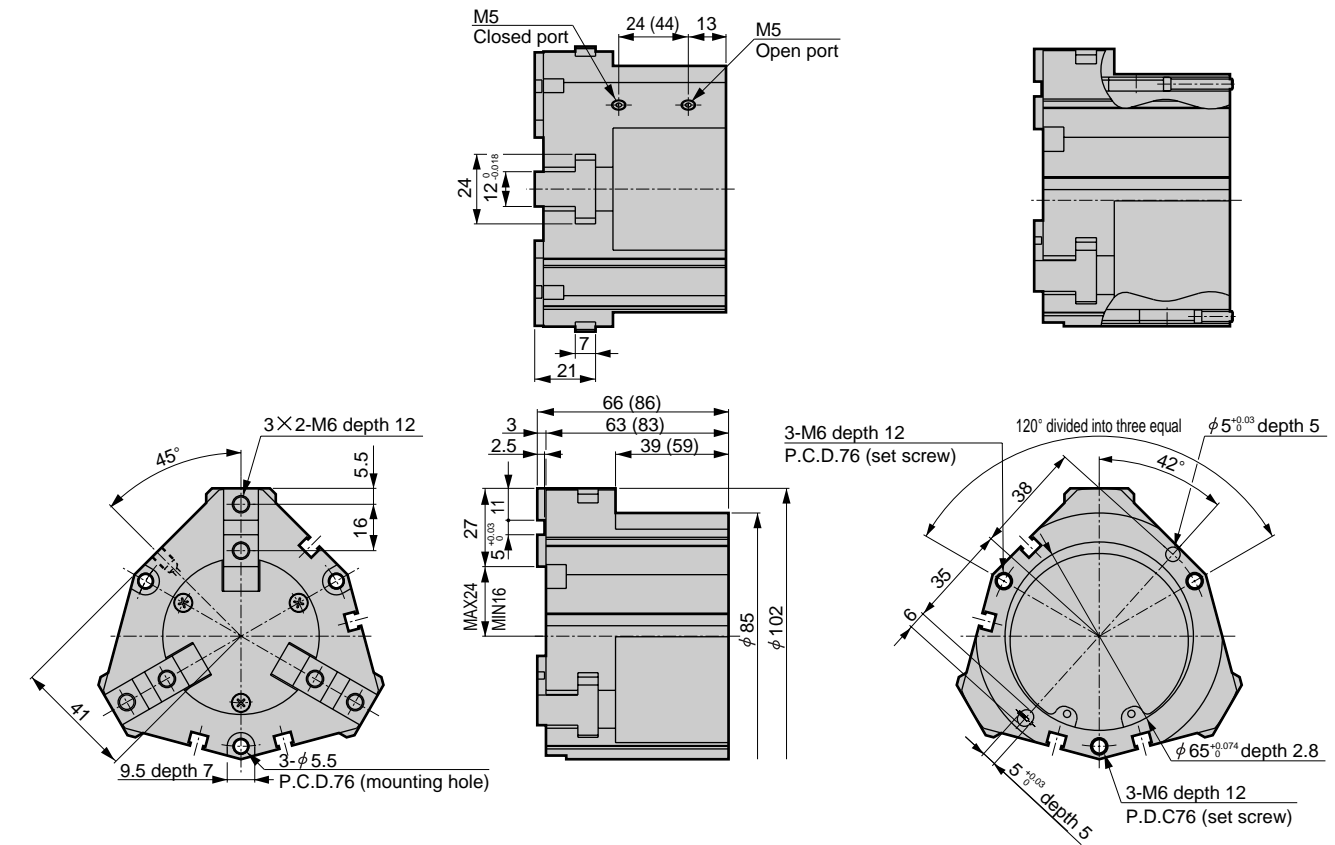
· Dimension in () for O [normally open] and C [normally closed] specifications.



● CKL2-63CS standard/O/C

● With switch

· Dimension in () for O [normally open] and C [normally closed] specifications.

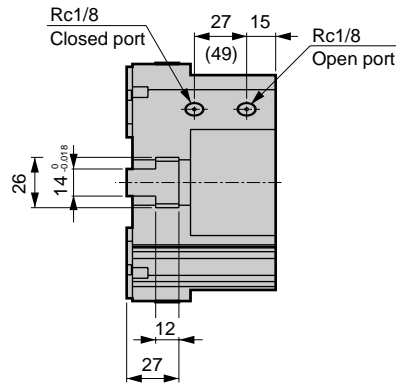
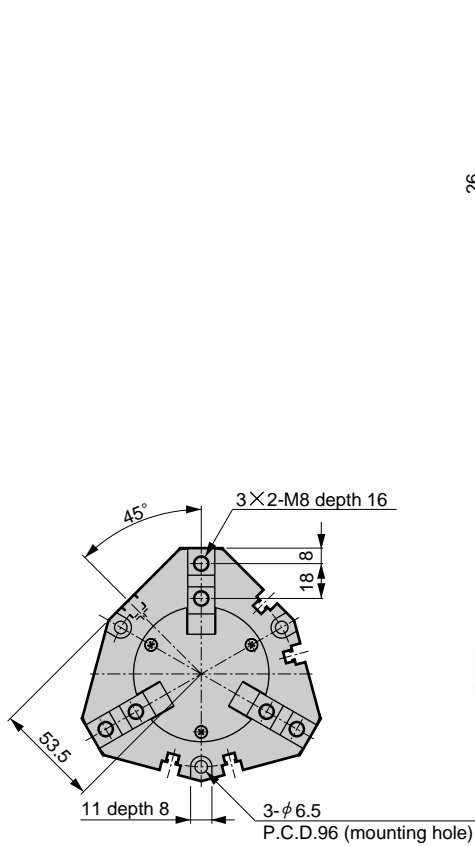


Dimensions

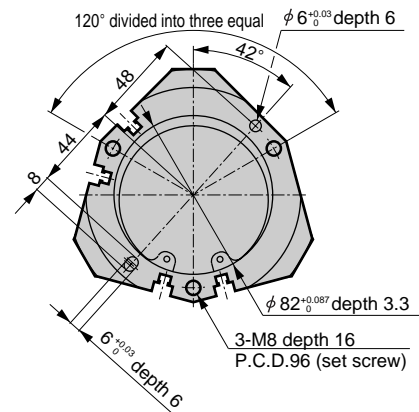
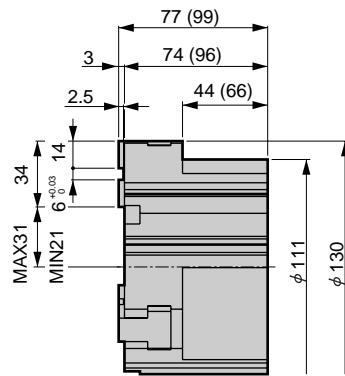
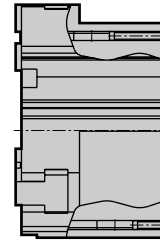


● CKL2-80CS standard/O/C

· Dimension in () for O [normally open] and C [normally closed] specifications.

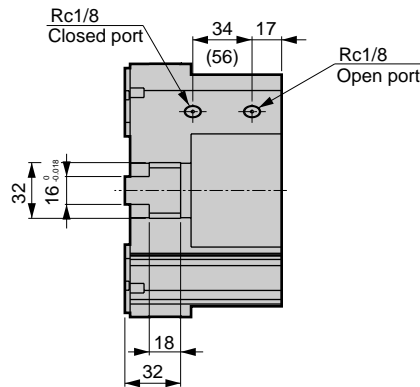
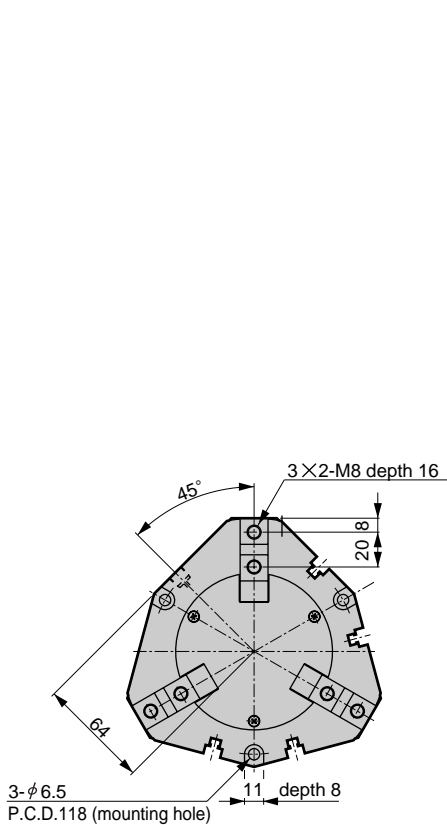


● With switch

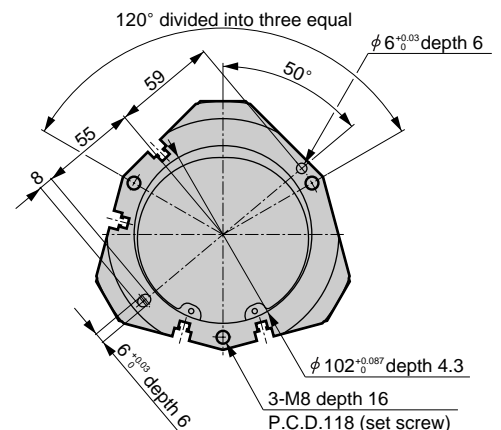
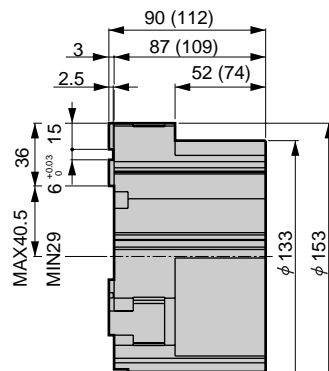
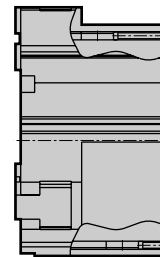


● CKL2-100CS standard/O/C

· Dimension in () for O [normally open] and C [normally closed] specifications.



● With switch



RRC
GRC
RV3*
NHS
HR
LN
FH100
HAP
BSA2
BHA/BHG
LHA
LHAG
HKP
HLA/HLB
HLAG/HLBG
HEP
HCP
HMF
HMFB
HFP
HLC
HGP
FH500
HBL
HDL
HMD
HJL
BHE
CKG
CK
CKA
CKS
CKF
CKJ
CKL2
CKL2 *-HC
CKH2
CKLB2
NCK/SCK/FCK
FJ
FK

Ending

Powerful chuck
Chuck