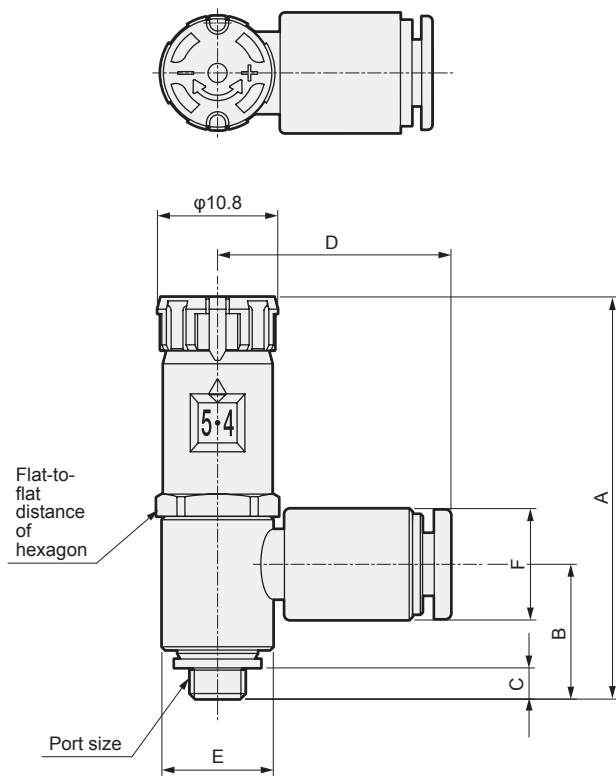
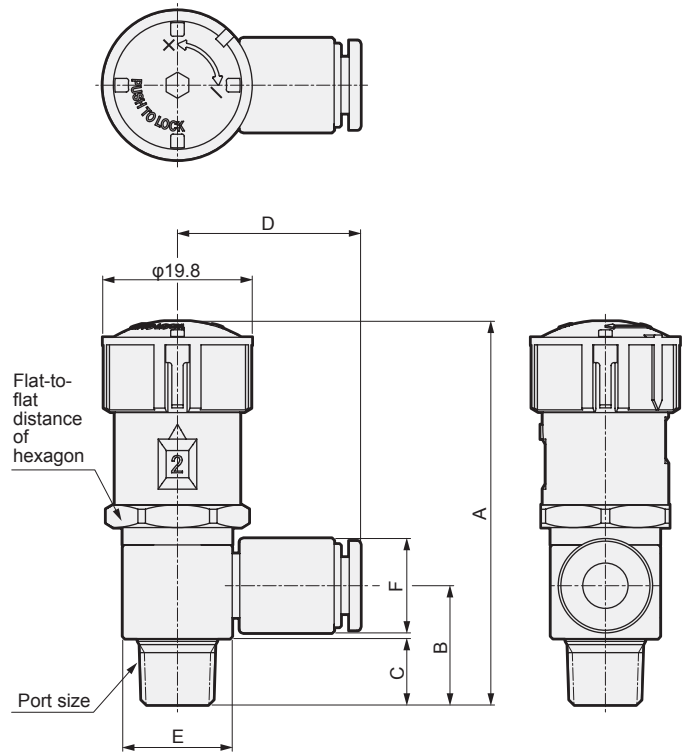


## Dimensions

### • Compact type



### • Standard type



Model no.	Product type	Port size	Applicable tube outer diameter	A		B	C	D	E	F	Flat-to-flat distance of hexagon
				When locked	When adjusting						
DSC-C-M5-3	Compact type	M5×0.8	φ3.2	36	37.5	11.9	3	16.5	10	7.5	10
DSC-C-M5-4			φ4			11.9		21		10	
DSC-C-M5-6			φ6			11.7		22.5		12.5	
DSC-C-6-4		R1/8	φ4	41.9	43.4	16.2	8.7	23.5	14.5	10	13
DSC-C-6-6			φ6			15.7		24.5		12.5	
DSC-C-6-8			φ8			15.4		26		14.5	
DSC-6-4	Standard type	R1/8	φ4	51	54	16.2	8.7	23.5	14.5	10	17
DSC-6-6			φ6			15.7		24.5		12.5	
DSC-6-8			φ8			15.4		26		14.5	
DSC-8-6		R1/4	φ6	55.5	58.5	20	11.7	26	18	12.5	17
DSC-8-8			φ8			19		27.5		14.5	
DSC-8-10			φ10			19		30.5		17.5	
DSC-10-6	R3/8	φ6	58	61	23.1	12.7	28.5	22.5	12.5	19	
DSC-10-8		φ8			21.3		30		14.5		
DSC-10-10		φ10			21.8		32		17.5		
DSC-10-12		φ12			21.7		33.5		20		
DSC-15-10	R1/2	φ10	63	66	25.2	15.7	34.5	27.5	17.5	24	
DSC-15-12		φ12			25.7		36		20		