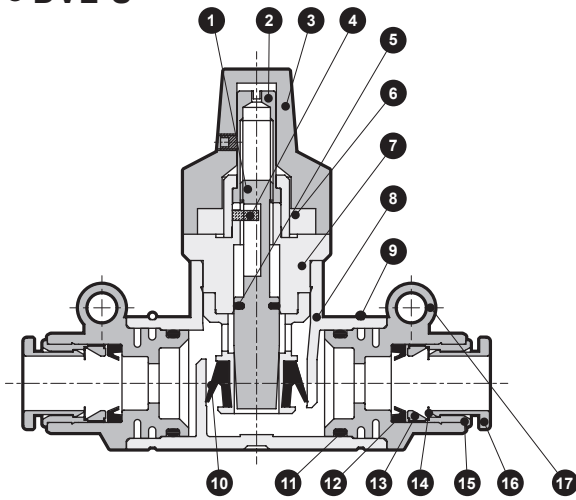


Internal structure and parts list

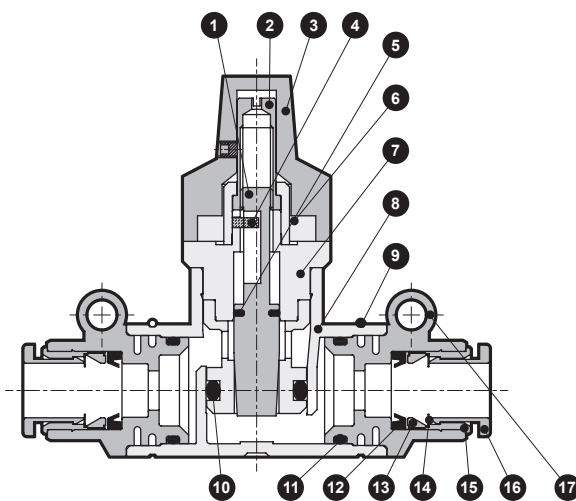
● DVL-S



No.	Parts name	Material
1	Needle	Brass
2	Rotary shaft	Brass
3	Dial	Aluminum alloy, polyamide, etc.
4	Parallel pin	Stainless steel
5	O-ring	Nitrile rubber
6	Guide bush	Brass
7	Check bracket	Brass
8	Body	PBT
9	Stopper ring	Stainless steel
10	Check packing seal	Hydrogenated nitrile rubber
11	O-ring	Nitrile rubber
12	Packing	Nitrile rubber
13	Holder	Brass or polyetherimide
14	Chuck	Stainless steel
15	Outer ring	Brass
16	Push ring	PBT or polyacetal
17	Joint case	PBT

Note 1: All the brass parts are plated with electroless nickeling.
 Note 2: Some structures differ depending on the type. (No material changed)

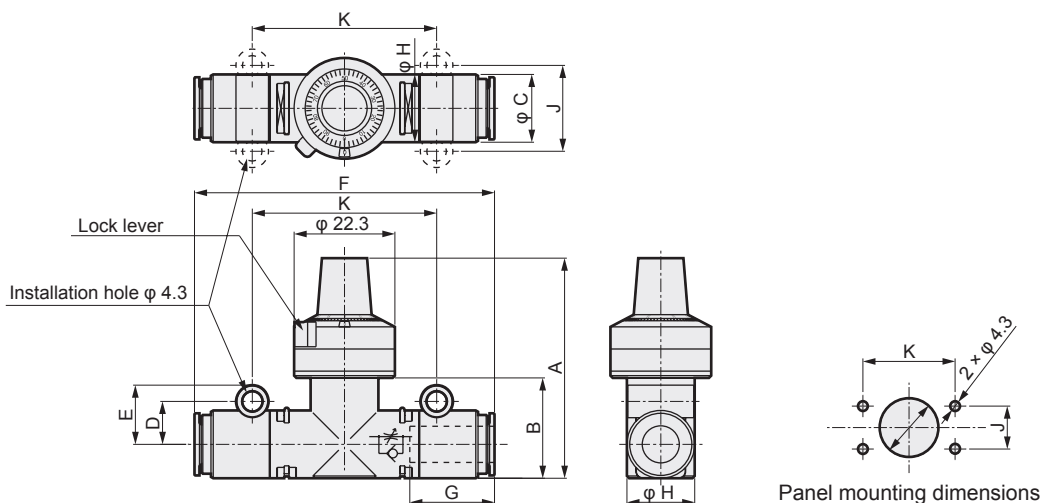
● DVL-N



No.	Parts name	Material
1	Needle	Brass
2	Rotary shaft	Brass
3	Dial	Aluminum alloy, polyamide, etc.
4	Parallel pin	Stainless steel
5	O-ring	Fluoro rubber
6	Guide bush	Brass
7	Check bracket	Brass
8	Body	PBT
9	Stopper ring	Stainless steel
10	O-ring	Hydrogenated nitrile rubber
11	O-ring	Hydrogenated nitrile rubber
12	Packing	Hydrogenated nitrile rubber
13	Holder	Brass or polyetherimide
14	Chuck	Stainless steel
15	Outer ring	Brass
16	Push ring	PBT or polyacetal
17	Joint case	PBT

Note 1: All the brass parts are plated with electroless nickeling.
 Note 2: Some structures differ depending on the type. (No material changed)

Dimensions



Panel mounting dimensions

Model no.	Applicable tube O.D.	A	B	C	D	E	F	H	J	K	G (tube insert length)
DVL-*-06-H44-*	φ 4	45.5	17	12	8.1	11.6	55	12	16.2	30.8	12.9
DVL-*-06-H66-*	φ 6			13			49.5				13.7
DVL-*-08-H66-*	φ 6	50	22.5	13	9.5	13.1	64	15	19	41	18
DVL-*-08-H88-*	φ 8			15			66.5				19
DVL-*-10-H88-*	φ 8	58	29	15	11.5	15.1	71	20	23	47	19
DVL-*-10-H1010-*	φ 10			18			75				21
DVL-*-10-H1212-*	φ 12			20.4			79				22