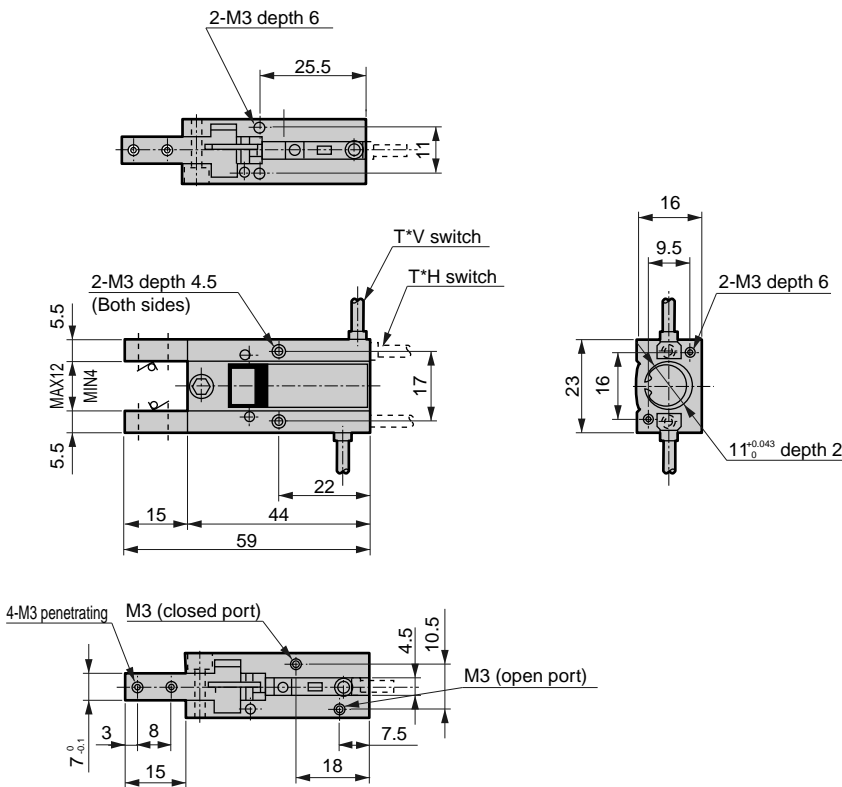


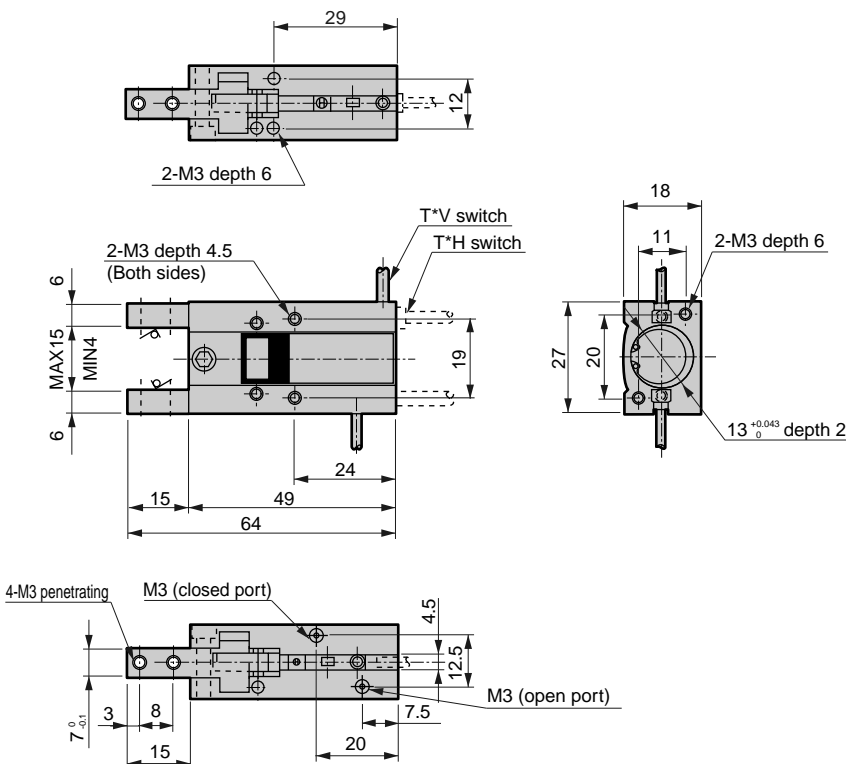
Dimensions



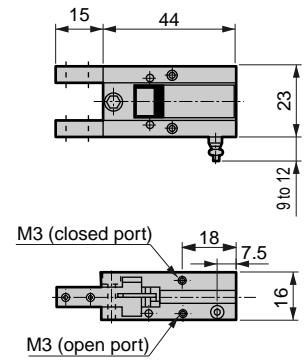
● FH110-D/FH110-O



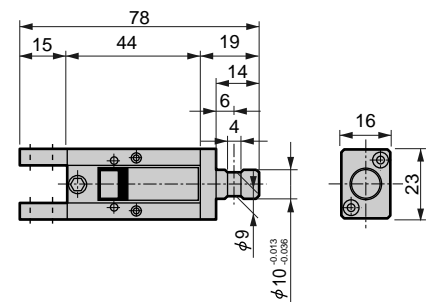
● FH112-D/FH112-O



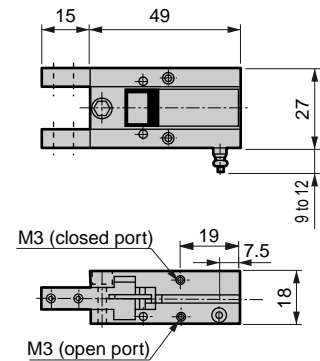
● Speed control valve (FH110-Z)



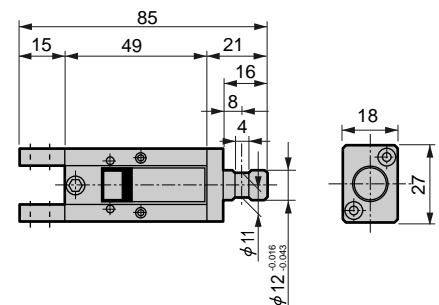
● With end mount



● Speed control valve (FH112-Z)



● With end mount



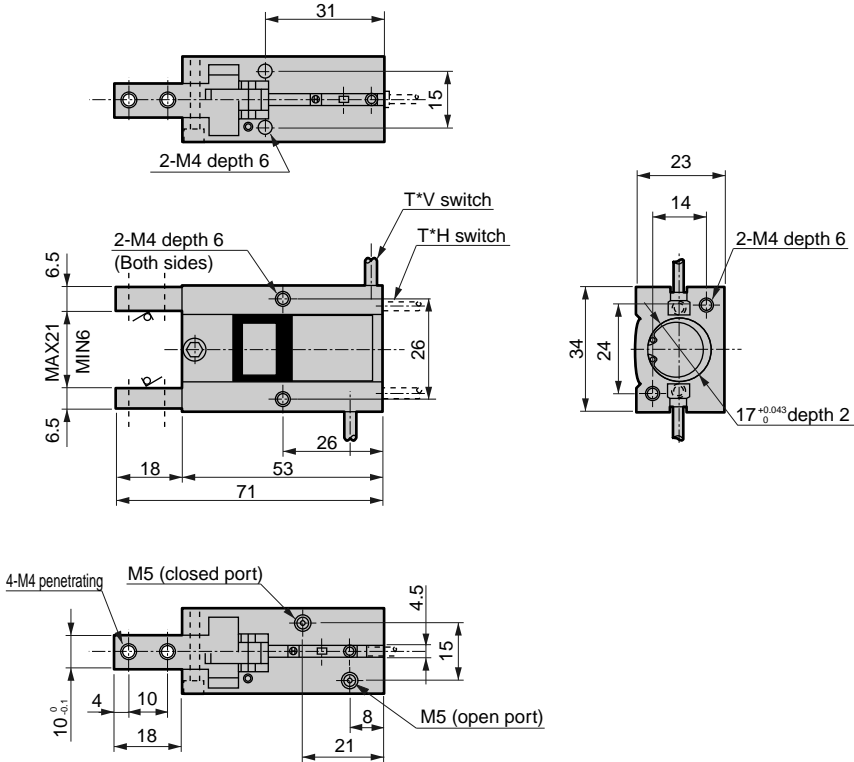
RRC
GRC
RV3*
NHS
HR
LN
FH100
HAP
BSA2
BHA/BHG
LHA
LHAG
HKP
HLA/HLB
HLAG/HLBG
HEP
HCP
HMF
HMFb
HFP
HLC
HGP
FH500
HL
HDL
HMD
HJL
BHE
CKG
CK
CKA
CKS
CKF
CKJ
CKL2
CKL2 *-HC
CKH2
CKLB2
NCK/SCK/FCK
FJ
FK
Ending

Feather hand (mini-parallel hand)
Hand

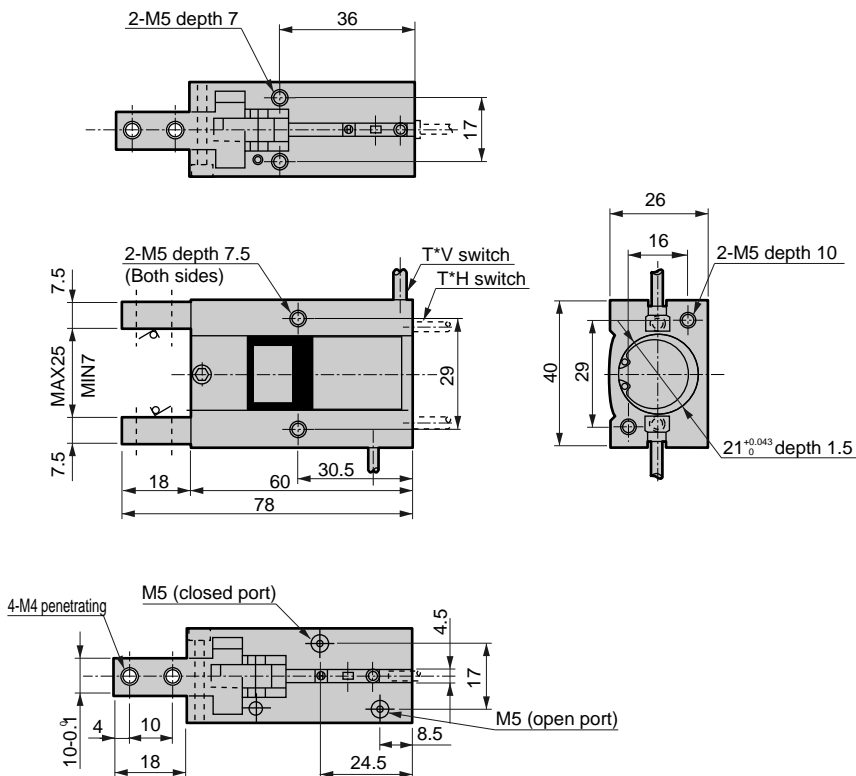


Dimensions

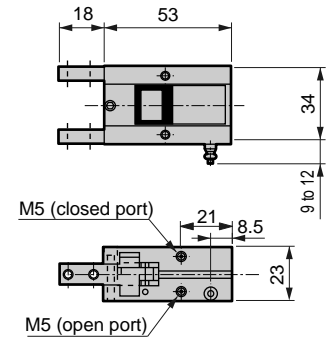
● FH116-D/FH116-O



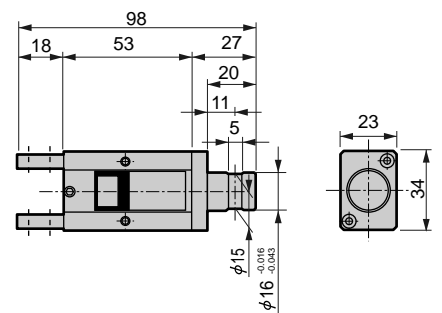
● FH120-D/FH120-O



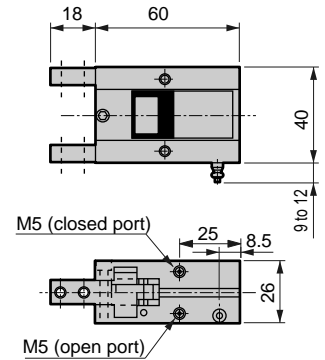
● Speed control valve (FH116-Z)



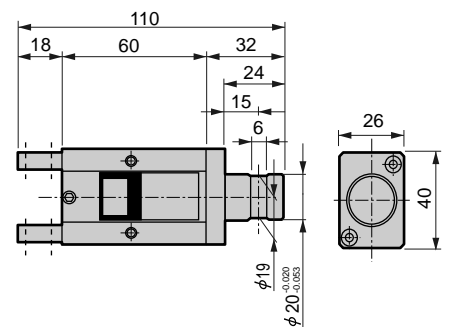
● With end mount



● Speed control valve (FH120-Z)



● With end mount

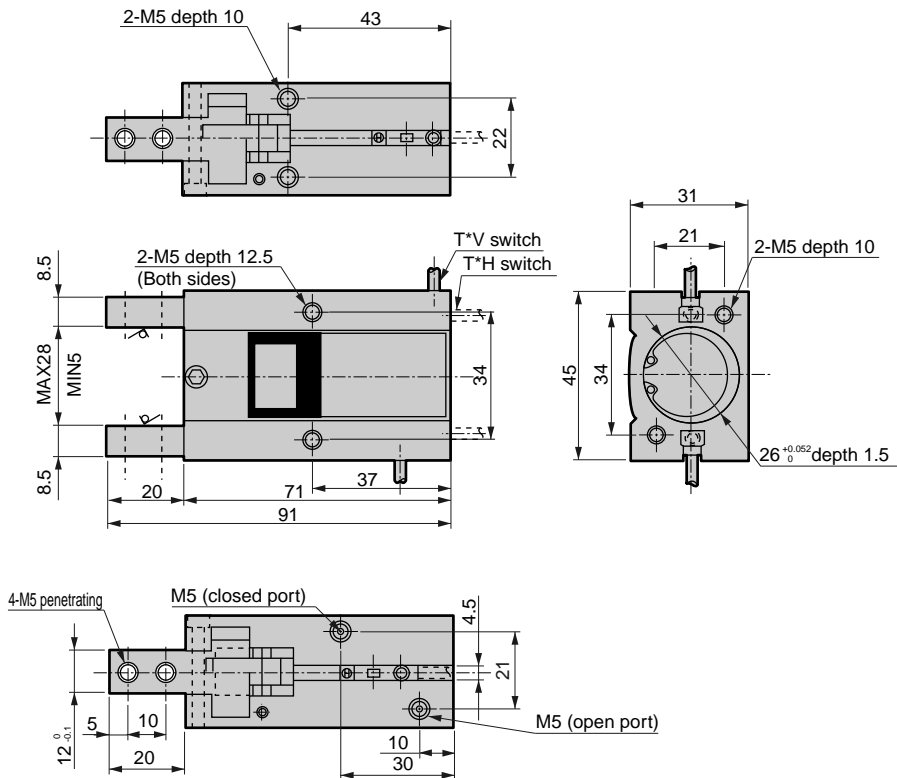


RRC
GRC
RV3*
NHS
HR
LN
FH100
HAP
BSA2
BHA/BHG
LHA
LHAG
HKP
HLA/HLB
HLAG/HLBG
HEP
HCP
HMF
HMFB
HFP
HLC
HGP
FH500
HBL
HDL
HMD
HJL
BHE
CKG
CK
CKA
CKS
CKF
CKJ
CKL2
CKL2 *-HC
CKH2
CKLB2
NCK/SCK/FCK
FJ
FK
Ending

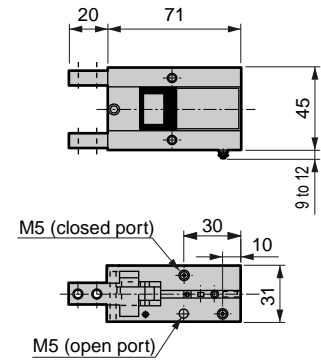
Dimensions



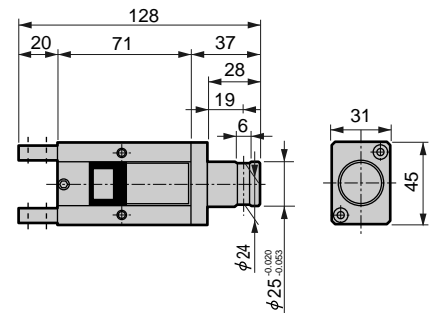
● FH125-D/FH125-O



● Speed control valve (FH125-Z)



● With end mount



RRC
GRC
RV3*
NHS
HR
LN
FH100
HAP
BSA2
BHA/ BHG
LHA
LHAG
HKP
HLA/ HLB
HLAG/ HLBG
HEP
HCP
HMF
HMFb
HFP
HLC
HGP
FH500
HL
HDL
HMD
HJL
BHE
CKG
CK
CKA
CKS
CKF
CKJ
CKL2
CKL2 *-HC
CKH2
CKLB2
NCK/ SCK/FCK
FJ
FK
Ending

Feather hand (mini-parallel hand)
Hand