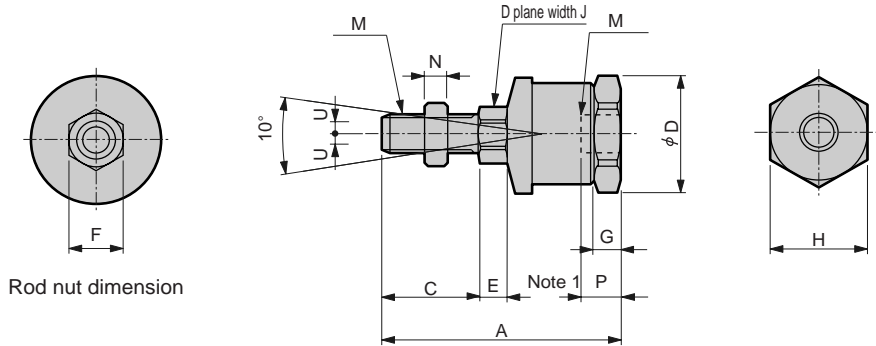


Dimensions: Basic type

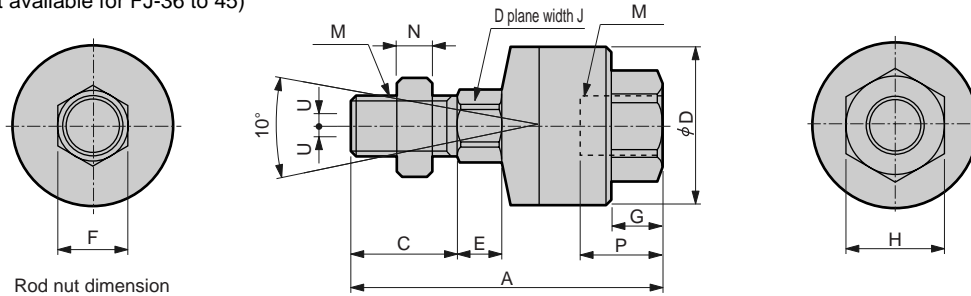


● FJ-O-3 to 5



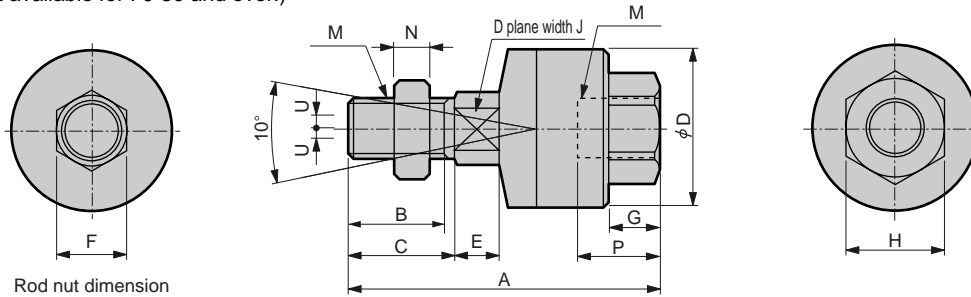
● FJ-O-6, 8, 10, 36 to 45

(Dust cover is not available for FJ-36 to 45)



● FJ-O-12 to 30

(Dust cover is not available for FJ-30 and over.)



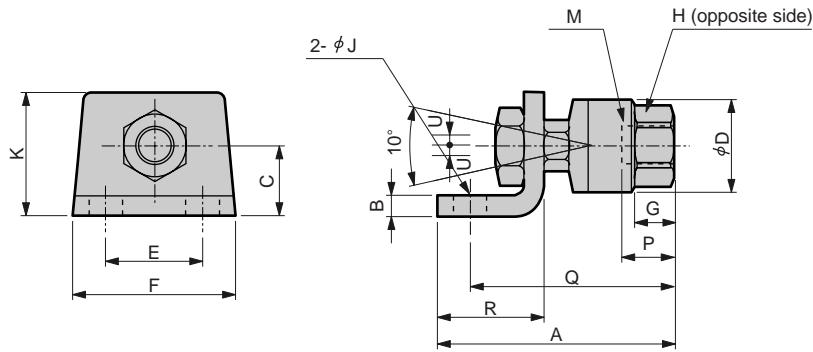
Note 1: Observe screw in dimension (P) for FJ- * -3 to 5.

Model no.	Applicable cylinders	M		A	B	C	D	E	F	G	H	J	N	P Note 1	Eccentricity U	Max. working tensile/ compressive force kN	Weight kg
		Nominal dim.	Pitch														
FJ-O-3	SCP-6/SMD2-6	3	0.5	23	-	8.3	12	2.5	5.5	2.5	11	5.5	1.8	4.5	0.5	0.019	0.012
4	SCP-10/SMD2-10	4	0.7	26	-	10	12	3.5	7	2.5	11	5.5	2.4	4.4	0.5	0.053	0.012
5	SCP-16/SSD-12-N/SMD2-16	5	0.8	31.6	-	12	15.5	4	8	3.5	14	7	3.2	6	0.5	0.121	0.022
6	SSD-16-N/SMD2-20	6	1.0	45.4	-	15.8	21	4	10	9	17	10	3.6	12	0.75	1.08	0.057
8	CMA2/CMK2/CKV-20/JSK2/JSM2-20	8	1.0	48.4	-	18.8	21	4	13	9	17	10	5	12	0.75	1.08	0.061
8-1.25	SMD2-25/SSD-20-N/ SCM-20	8	1.25	48.4	-	18.8	21	4	13	9	17	10	5	12	0.75	1.08	0.061
10	CMA2-30/SMD2-32/CMK2/ SCG/CKV2-25/32/FCD-25-N/ SSD-25-N/SCM-25/32/ JSK2-25-32-JSM2-30	10	1.25	56.2	-	22	24	7	17	10	19	12	6	12	0.75	2.45	0.092
12	CMA2/CMK2/CKV2-40/JSK2/JSM2-40	12	1.5	58	20.5	23	27	6	19	10	21	12	7	11.8	0.75	2.45	0.12
12-1.25	-	12	1.25	58	20.5	23	27	6	19	10	21	12	7	11.8	0.75	2.45	0.12
14	SCG-40/SCA2-40/FCD-32/40-N SSD-32/40-N/SCM-40/JSC3-40	14	1.5	68.5	20	22	32	7	22	13	27	14	8	16.5	1.0	5.88	0.22
16	CAV2-50 COV2-50	16	1.5	84.2	26	29	43	11	24	14	27	16	10	16.9	1.5	10.8	0.4
18	SCG-50/63/SCA2-50/63/ FCD-50/63-N/SSD-50/63-N/ SCM-50/63/JSC3-50/63	18	1.5	84.2	26	29	43	11	27	14	27	18	11	16.9	1.5	10.8	0.41
22	SCG-80/SCA2-80/SSD-80-N/ SCM-80/JSC3-80	22	1.5	102.5	31	34	53	14	32	17	32	22	13	17.2	2.0	17.6	0.75
26	SCG-100/SCA2-100/SSD-100-N/SCM-100/JSC3-100	26	1.5	121.6	39	42	69	15	41	20	41	26	16	20.8	3.0	27.5	1.5
30	SCS-125/140/JSC3-125/140	30	1.5	145.2	47	50	90	16	46	21	46	30	18	26	3.0	60.8	3.1
36	SCS-160/JSC3-160	36	1.5	163.5	-	57	108	16	55	22	55	36	21	25	4.0	87.3	4.6
40	SCS-180/JSC3-180	40	1.5	170.5	-	64	108	16	60	22	55	40	24	25	4.0	87.3	4.7
45	SCS-200	45	1.5	199.5	-	72	118	18	70	24	60	45	27	35	4.0	108	7.0

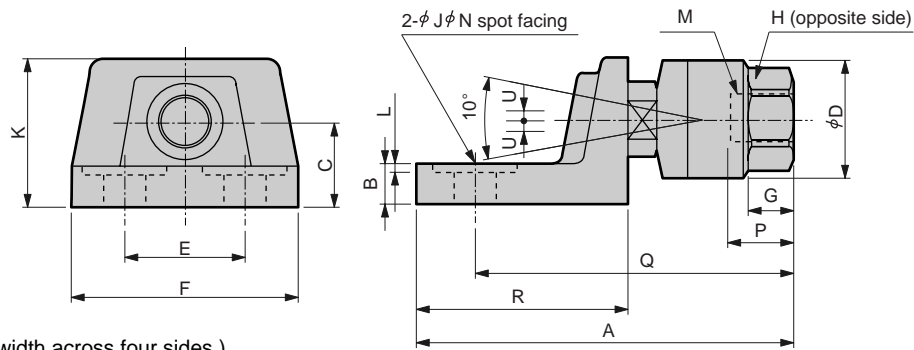
Dimensions: Foot type



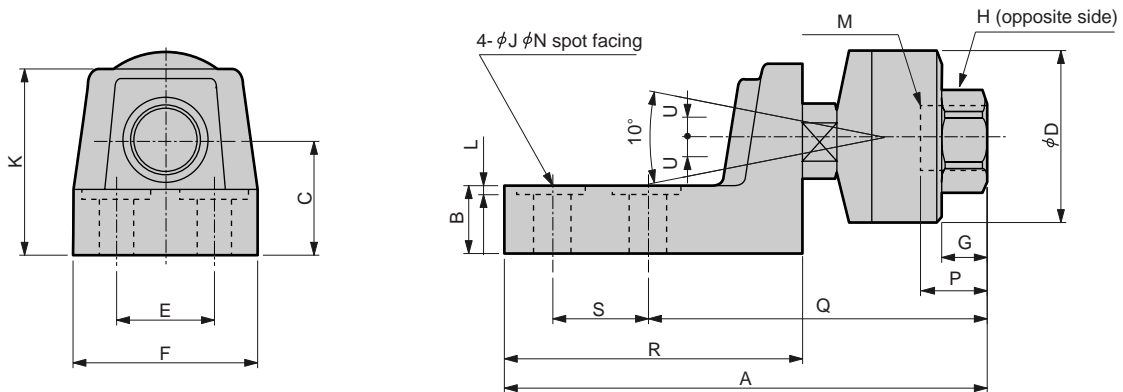
- FJ-L-8 to 12 (*section of FJ-12, width across four sides)



- FJ-L-14



- FJ-L-16 to 45 (*section, width across four sides)



Model no.	Applicable cylinders	M		A	B	C	D	E	F	G	H	J	K	L	N	P	Q	R	S	Eccentricity U	Max. working tensile compressive force kN	Weight kg
		Nominal dim.	Pitch																			
FJ-L-8	CMA2/CMK2/CKV-20/JSK2/JSM2-20	8	1.0	54.6	3.2	15	21	26	44	9	17	9	25	-	-	12	45.6	25	-	0.75	1.08	0.1
8-1.25	SMD2-25/SSD-20-N/ SCM-20	8	1.25	54.6	3.2	15	21	26	44	9	17	9	25	-	-	12	45.6	25	-	0.75	1.08	0.1
10	CMA2-30/SMD2-32/CMK2/ SCG/CKV2-25/32/FCD-25-N/ SSD-25-N/SCM-25/32/ JSK2-25/32/JSM2-30	10	1.25	64.5	5	19	24	26	44	10	19	9	32	-	-	12	54.5	30	-	0.75	2.45	0.18
12	CMA2/CMK2/CKV2-40/JSK2/JSM2-40	12	1.5	64.6	5	19	27	26	44	10	21	9	32	-	-	11.8	54.6	30	-	0.75	2.45	0.19
12-1.25	-	12	1.25	64.6	5	19	27	26	44	10	21	9	32	-	-	11.8	54.6	30	-	0.75	2.45	0.19
14	SCG-40/SCA2-40/FCD-32/40-N/ SSD-32/40-N/SCM-40/JSC3-40	14	1.5	95.5	10	22	32	32	60	13	27	11	38	1.5	23	16.6	79.5	50	-	1.0	5.88	0.43
16	CAV2-50 COV2-50	16	1.5	140.2	14	28	43	32	60	14	27	11	46	1.5	23	16.9	93.1	85	32	1.5	10.8	0.4
18	SCG-50/63/SCA2-50/63/ FCD-50/63-N/SSD-50/63-N/ SCM-50/63/JSC3-50/63	18	1.5	140.2	14	28	43	32	60	14	27	11	46	1.5	23	16.9	93.1	85	32	1.5	10.8	1.1
22	SCG-80/SSD-80-N/SCA2-80/ SCM-80/JSC3-80	22	1.5	163.5	19	35	53	36	68	17	32	14	55	1.5	26	17.2	110.5	95	36	2.0	17.6	2.1
26	SCG-100/SCA2-100/SSD-100-N/ SCM-100/JSC3-100	26	1.5	179.6	24	42	69	36	68	20	41	14	64	1.5	26	20.8	126.6	100	36	3.0	27.5	2.9
30	SCS-125/140/JSC3-125/140	30	1.5	217.2	35	55	90	46	82	21	46	18	80	1.5	32	26	152.2	122	46	3.0	60.8	5.6
36	SCS-160/JSC3-160	36	1.5	254.5	41	67	108	56	100	22	55	22	97	-	-	25	177	148	56	4.0	87.3	8.9
40	SCS-180/JSC3-180	40	1.5	254.5	41	67	108	56	100	22	55	22	97	-	-	25	177	148	56	4.0	87.3	8.8
45	SCS-200	45	1.5	294	41	70	118	66	125	24	60	26	103	-	-	35	203	166	66	4.0	108	13.2

- RRC
- GRC
- RV3*
- NHS
- HR
- LN
- FH100
- HAP
- BSA2
- BHA/
BHG
- LHA
- LHAG
- HKP
- HLA/
HLB
- HLAG/
HLBG
- HEP
- HCP
- HMF
- HMFb
- HFP
- HLC
- HGP
- FH500
- HBL
- HDL
- HMD
- HJL
- BHE
- CKG
- CK
- CKA
- CKS
- CKF
- CKJ

- CKL2
- CKL2
*-HC
- CKH2
- CKLB2
- NCK/
SCK/FCK
- FJ**
- FK

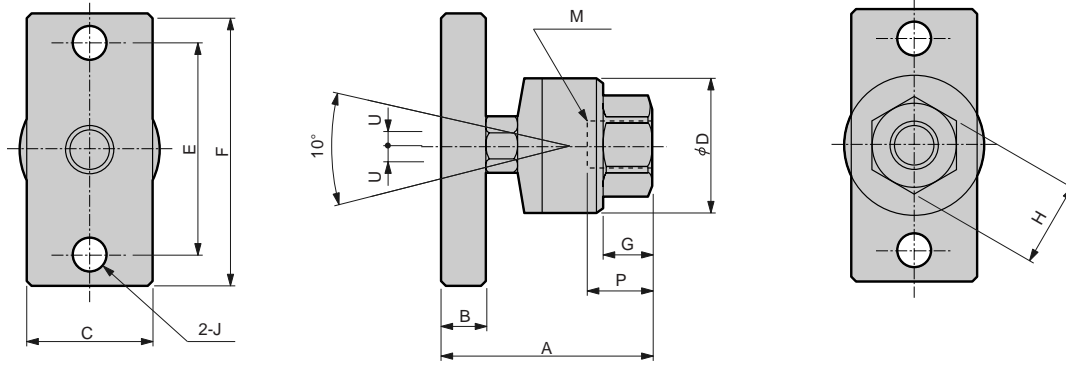
Ending

Floating joint
Related products

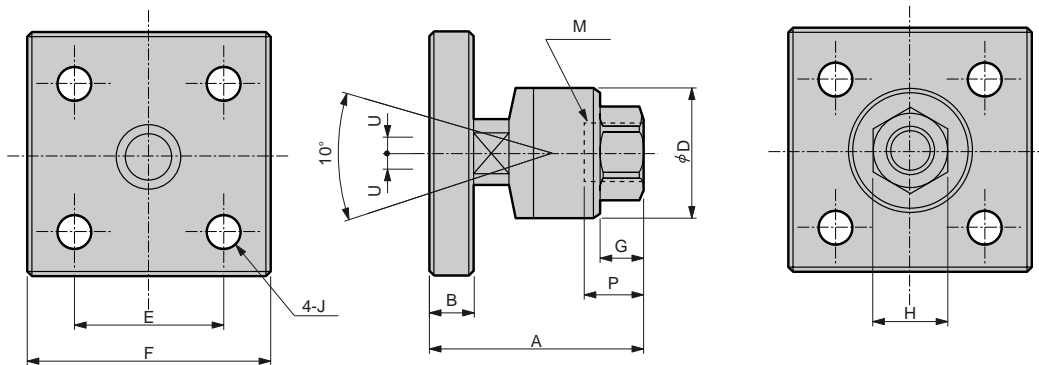
Dimensions: Flange type



● FJ-F-8 to 14 (*section of FJ-12/14, 4 plane width)



● FJ-F-16 to 45 (*section of FJ-36/40/45, hexagon nut)



Model no.	Applicable cylinders	M		A	B	C	D	E	F	G	H	J	P	Eccentricity U	Max. working tensile and compressive force kN	Weight kg
		Nominal dim.	pitch													
FJ-F- 8	CMA2/CMK2/CKV-20/ JSK2/JSM2-20	8	1.0	35.6	6	19	21	40	52	9	17	6.6	12	0.75	1.08	0.11
8-1.25	SMD2-25/SSD-20-N/ SCM-20	8	1.25	35.6	6	19	21	40	52	9	17	6.6	12	0.75	1.08	0.11
10	CMA2-30/SMD2-32/CMK2/ SCG/CKV2-25/32/FCD-25-N/ SSD-25-N/SCM-25/32/ JSK2-25/32/JSM2-30	10	1.25	43.2	9	25	24	44	56	10	19	6.6	12	0.75	2.45	0.18
12	CMA2/CMK2/CKV2-40/ JSK2/JSM2-40	12	1.5	43.6	9	25	27	44	56	10	21	6.6	11.8	0.75	2.45	0.19
12-1.25	-	12	1.25	43.6	9	25	27	44	56	10	21	6.6	11.8	0.75	2.45	0.19
14	SCG-40/SCA2-40/FCD-32/40-N/ SSD-32/40-N/SCM-40/JSC3-40	14	1.5	57.5	12	32	32	60	80	13	27	11	16.5	1.0	5.88	0.56
16	CAV2-50/COV2-50	16	1.5	71.2	16	-	43	50	75	14	27	11	16.9	1.5	10.8	1.1
18	SCG-50/63/SCA2-50/63/ FCD-50/63-N/SSD-50/63-N/ SCM-50/63/JSC3-50/63	18	1.5	71.2	16	-	43	50	75	14	27	11	16.9	1.5	10.8	1.1
22	SCG-80/SCA2-80/SSD-80-N/ SCM-80/JSC3-80	22	1.5	87.5	19	-	53	62	100	17	32	14	17.2	2.0	17.6	1.9
26	SCG-100/SCA2-100/SSD-100-N/ SCM-100/JSC3-100	26	1.5	101.6	22	-	69	70	100	20	41	14	20.8	3.0	27.5	2.8
30	SCS-125/140/JSC3-125/140	30	1.5	120.2	25	-	90	90	125	21	46	18	26	3.0	60.8	5.6
36	SCS-160/JSC3-160	36	1.5	135	29	-	108	114	150	22	55	22	25	4.0	87.3	9.4
40	SCS-180/JSC3-180	40	1.5	135	29	-	108	114	150	22	55	22	25	4.0	87.3	9.3
45	SCS-200	45	1.5	159	32	-	118	132	175	24	60	26	35	4.0	108	13.4