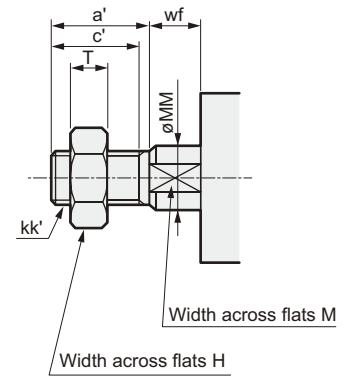
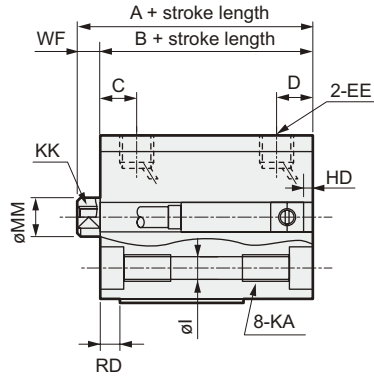
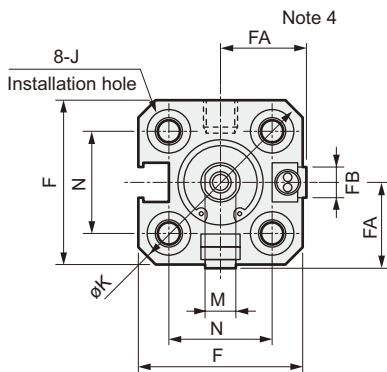


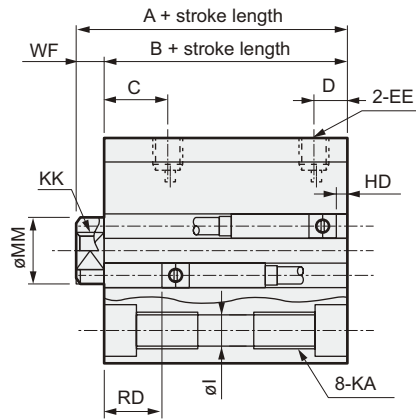
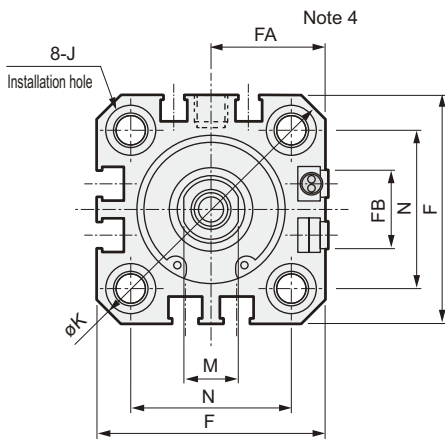
● SSD2-L-12 to 25 (with switch [T0H/V, T5H/V, T2H/V, T3H/V])

● Rod end male thread

ø12, ø16



ø20, ø25



● Precautions regarding switch mounting groove

Note 1: Only the F type switch is provided for the tube bore size ø20 and ø25 piping port surface.

Symbol	Common dimension with switch																
	A Note 1	B Note 1	C	D	EE	F	FA Note 3	FB	I	J	K	KA	KK	M	MM	N	WF
ø12	25.5	22	5.5	5.5	M5	25	13 (16.5)	4.5	3.5	6.5 spot face depth 3.5	32	M4 depth 7	M3 depth 6	5	6	15.5	3.5
ø16	25.5	22	5.5	5.5	M5	29	15 (18.5)	4.5	3.5	6.5 spot face depth 3.5	38	M4 depth 7	M4 depth 8	6	8	20	3.5
ø20	34	29.5	8	5.5	M5	36	18.5 (22)	12.5	5.5	9 spot face depth 5.5	47	M6 depth 11	M5 depth 7	8	10	25.5	4.5
ø25	37.5	32.5	11	6	M5	40	20.5 (24)	13.5	5.5	9 spot face depth 5.5	51	M6 depth 11	M6 depth 11	10	12	28	5
Switch dimension	Reed T0H/T0V, T5H/T5V Note 6				Proximity T2H/T2V, T3H/T3V Note 6				Proximity T2WH/T2WV, T3WH/T3WV Note 6				Proximity F2H/F2V, F3H/F3V, F2YH/F2YV, F3YH/F3YV				
	HD		RD		HD		RD		HD		RD		HD		RD		
ø12	1.5 (0)		1.5 (3)		1.5 (0)		1.5 (3)		3.5 (2)		3.5 (5)						
ø16	0		4		0		4.5		1		6						
ø20	3		7.5		3		7.5		5		9.5		7.5		12		
ø25	4		9.5		4		9.5		6		11.5		8.5		14		

Note 1: When calculating A + and B + stroke dimensions for the custom stroke, do not set the custom stroke in the stroke. Instead, set the next longer standard stroke.

Example: If the custom stroke is 7 mm, calculate including standard stroke 10 mm.

Note 2: HD and RD dimensions for the 5 stroke will differ from these due to manufacturing.

Note 3: Refer to page 91 for HD/RD dimensions and projection dimensions of the 2 color indicator type, off-delay type, strong magnetic field proof type, and T1\* or T8\* switch.

Note 4: Dimensions in ( ) are the values for radial lead wire.

Note 5: Refer to pages 93 to 102 for dimension drawings with accessories and dimension drawings for discrete accessories.

Note 6: Dimensions in ( ) of HD/RD columns are values when cushion is installed.

● Rod end male thread

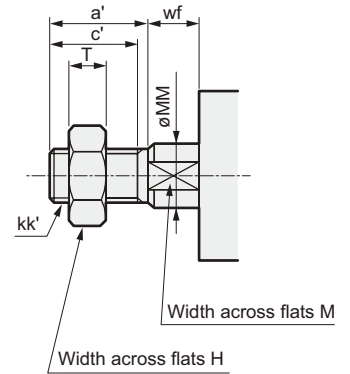
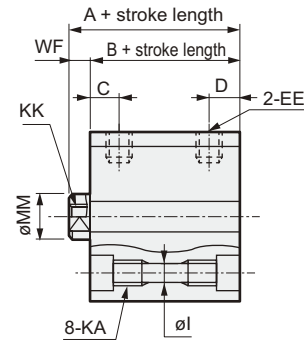
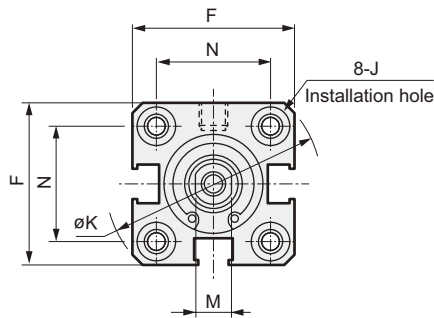
Symbol	a'	c'	H	kk'	M	MM	T	wf
ø12	10.5	9	8	M5	5	6	3.2	3.5
ø16	12	10	8	M6	6	8	3.6	3.5
ø20	14	12	13	M8	8	10	5	4.5
ø25	17.5	15	17	M10 x 1.25	10	12	6	5

### Dimensions

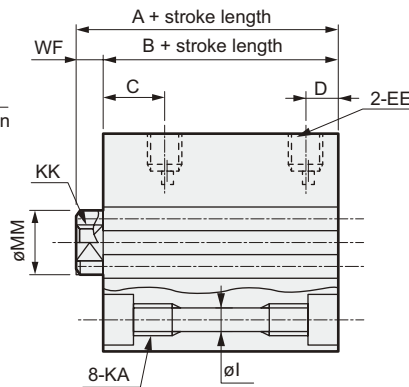
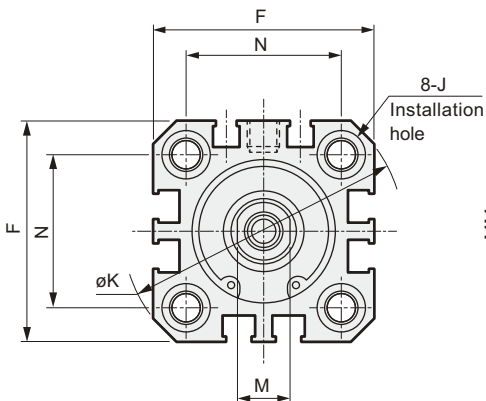
● SSD2-12 to 25 (without switch)

● Rod end male thread

ø12, ø16



ø20, ø25



Symbol	Without switch and common dimension														
Bore size (mm)	A <small>Note 1</small>	B <small>Note 1</small>	C	D	EE	F	I	J	K	KA	KK	M	MM	N	WF
ø12	20.5	17	5.5	5.5	M5	25	3.5	6.5 spot face depth 3.5	32	M4 depth 7	M3 depth 6	5	6	15.5	3.5
ø16	20.5	17	5.5	5.5	M5	29	3.5	6.5 spot face depth 3.5	38	M4 depth 7	M4 depth 8	6	8	20	3.5
ø20	24	19.5	8	5.5	M5	36	5.5	9 spot face depth 5.5	47	M6 depth 11	M5 depth 7	8	10	25.5	4.5
ø25	27.5	22.5	11	6	M5	40	5.5	9 spot face depth 5.5	51	M6 depth 11	M6 depth 11	10	12	28	5

● Rod end male thread

Symbol	a'	c'	H	kk'	M	MM	T	wf
Bore size (mm)								
ø12	10.5	9	8	M5	5	6	3.2	3.5
ø16	12	10	8	M6	6	8	3.6	3.5
ø20	14	12	13	M8	8	10	5	4.5
ø25	17.5	15	17	M10 x 1.25	10	12	6	5

Note 1: When calculating A + and B + stroke dimensions for the custom stroke, do not set the custom stroke in the stroke. Instead, set the next longer standard stroke.

Example: If the custom stroke is 7 mm, calculate including standard stroke 10 mm.

Note 2: Refer to pages 93 to 102 for dimension drawings with accessories and dimension drawings for discrete accessories.

