

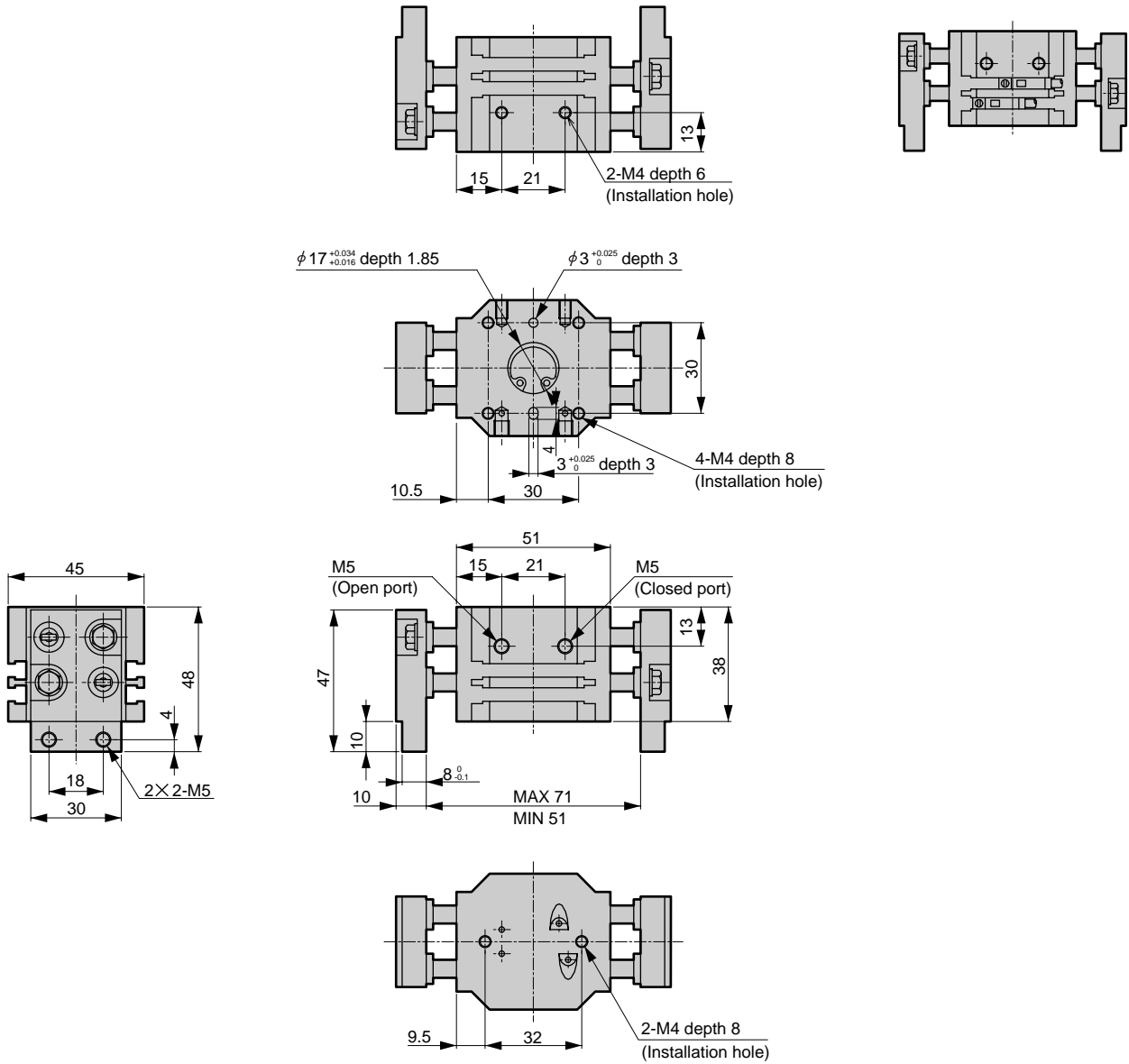
Dimensions



- RRC
- GRC
- RV3*
- NHS
- HR
- LN
- FH100
- HAP
- BSA2
- BHA/BHG
- LHA
- LHAG
- HKP
- HLA/HLB
- HLAG/HLBG
- HEP
- HCP
- HMF**
- HMFB
- HFP
- HLC
- HGP
- FH500
- HBL
- HDL
- HMD
- HJL
- BHE
- CKG
- CK
- CKA
- CKS
- CKF
- CKJ
- CKL2
- CKL2-*.HC
- CKH2
- CKLB2
- NCK/SCK/FCK
- FJ
- FK
- Ending

● HMF-12CS standard

● With switch

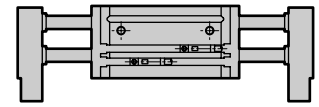
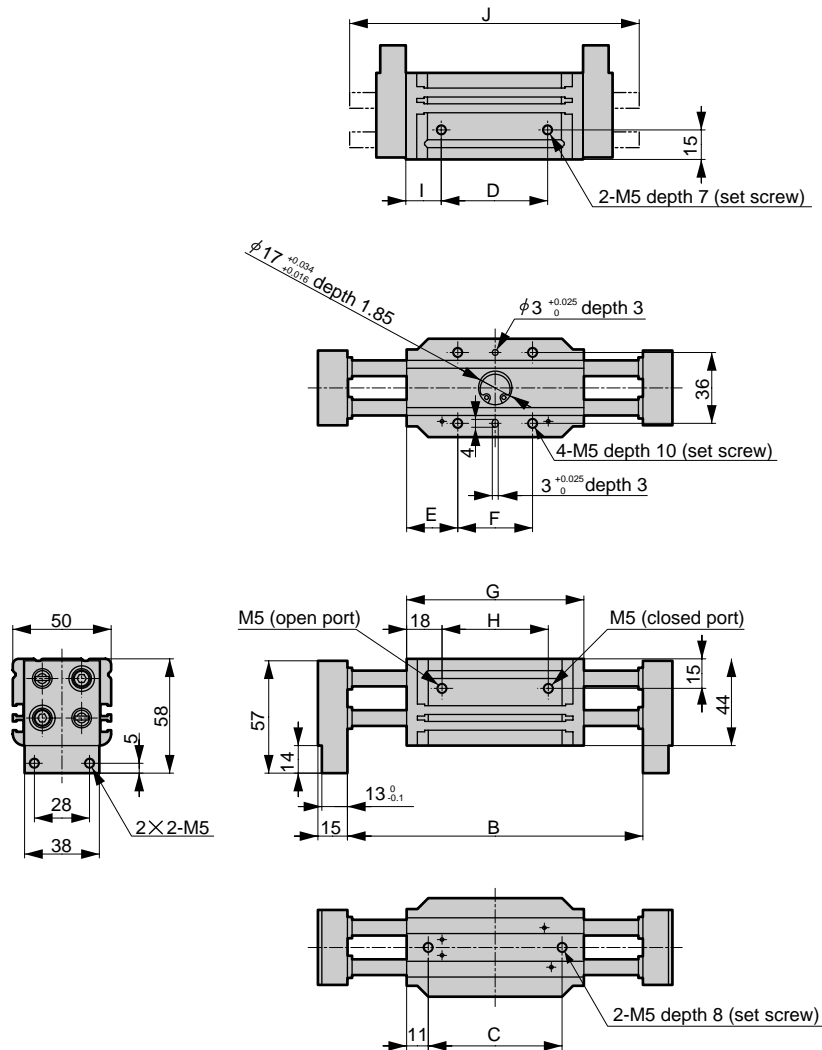


Dimensions



● HMF-16CS standard/L1/L2

● With switch



Symbol	B		C	D	E	F	G	H	I	J
	MAX	MIN								
Standard (blank)	90	60	38	28	11	38	60	24	16	-
L1	150	90	68	54	26	38	90	54	18	147
L2	186	106	84	70	26	54	106	70	18	183

RRC
GRC
RV3*
NHS
HR
LN
FH100
HAP
BSA2
BHA/BHG
LHA
LHAG
HKP
HLA/HLB
HLAG/HLBG
HEP
HCP
HMF
HMFB
HFP
HLC
HGP
FH500
HLB
HDL
HMD
HJL
BHE
CKG
CK
CKA
CKS
CKF
CKJ
CKL2
CKL2 *-HC
CKH2
CKLB2
NCK/ SCK/FCK
FJ
FK
Ending

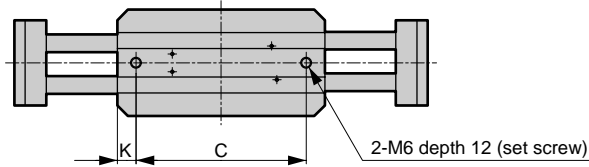
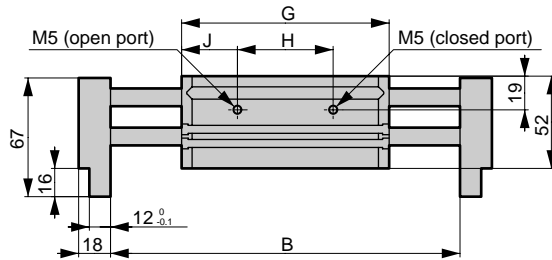
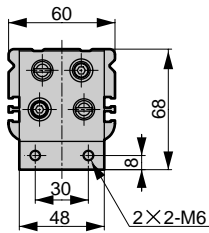
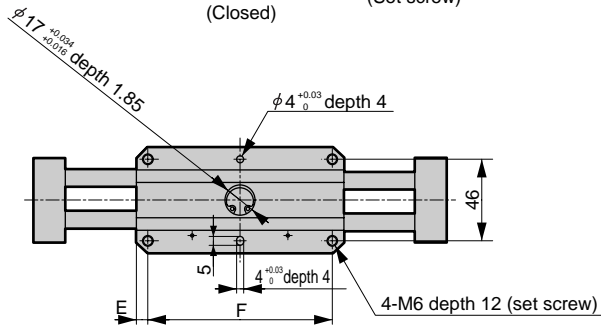
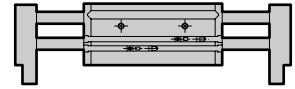
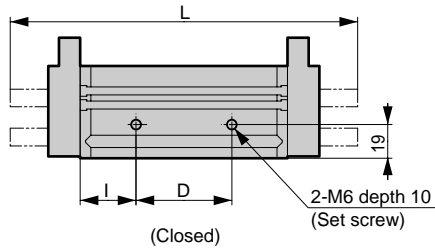
Compact wide parallel hand
Hand

Dimensions



● HMF-20CS standard/L1/L2

● With switch



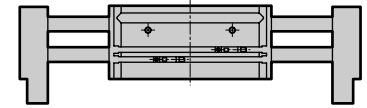
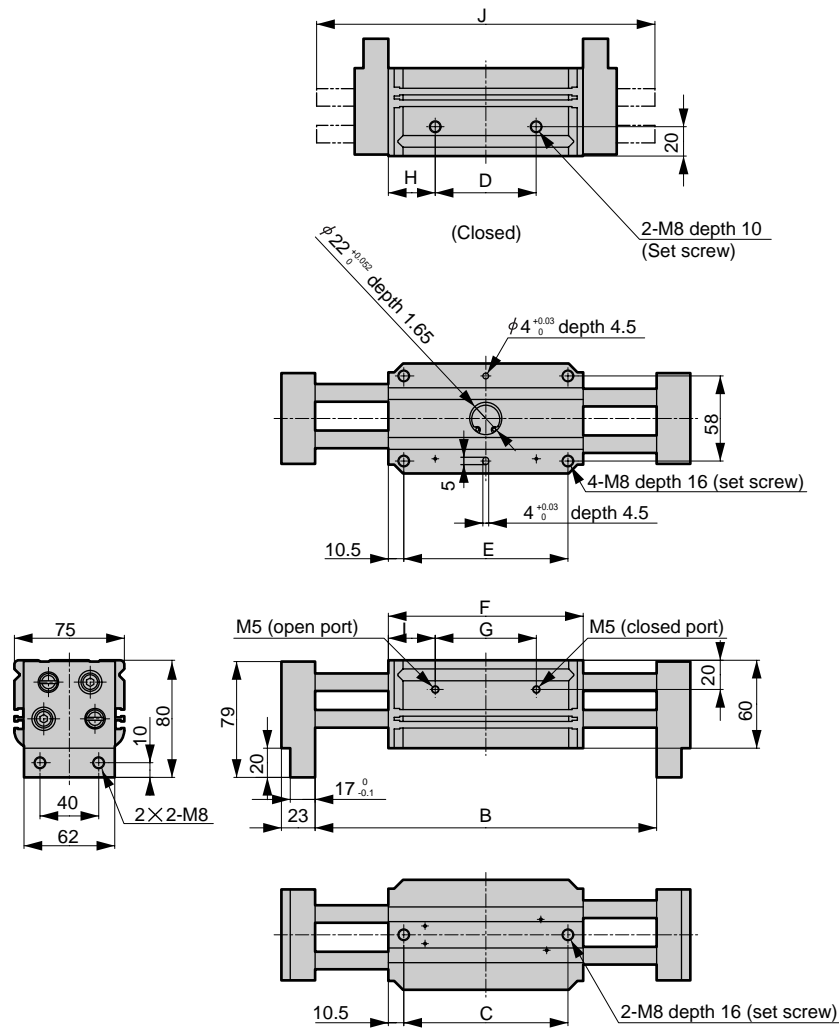
Symbol	B		C	D	E	F	G	H	I	J	K	L
	MAX	MIN										
Standard (blank)	114	74	56	38	9	56	74	34	18	20	9	-
L1	197	117	96	54	6.5	104	117	54	31.5	31.5	10.5	196
L2	233	133	112	70	6.5	120	133	70	31.5	31.5	10.5	232

Dimensions



● HMF-25CS standard/L1/L2

● With switch



Symbol	B		C	D	E	F	G	H	I	J
	MAX	MIN								
Standard (blank)	141	91	70	48	70	91	41	21.5	25	-
L1	233	133	112	69	112	133	69	32	32	231
L2	271	151	130	87	130	151	87	32	32	269

RRC
GRC
RV3*
NHS
HR
LN
FH100
HAP
BSA2
BHA/BHG
LHA
LHAG
HKP
HLA/HLB
HLAG/HLBG
HEP
HCP
HMF
HMFB
HFP
HLC
HGP
FH500
HLB
HDL
HMD
HJL
BHE
CKG
CK
CKA
CKS
CKF
CKJ
CKL2
CKL2 *-HC
CKH2
CKLB2
NCK/SCK/FCK
FJ
FK
Ending

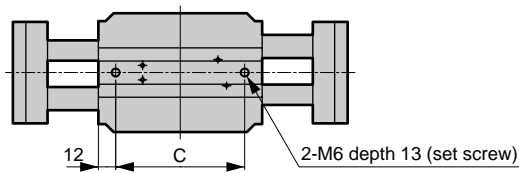
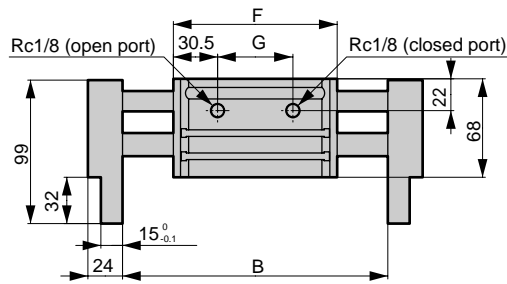
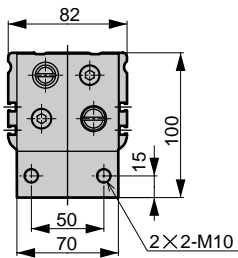
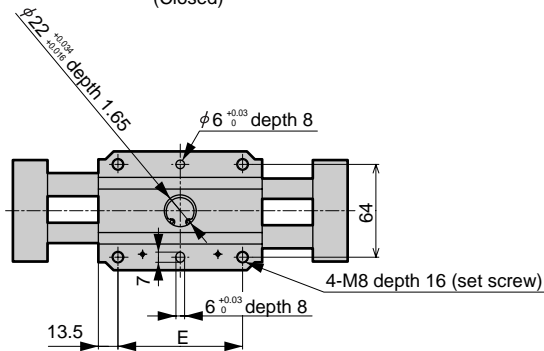
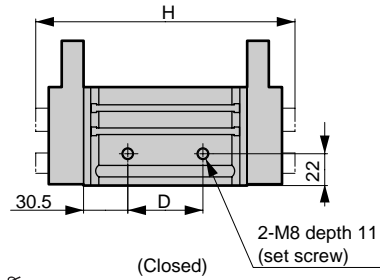
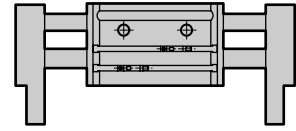
Compact wide parallel hand
Hand

Dimensions



● HMF-32CS standard/L1/L2

● With switch



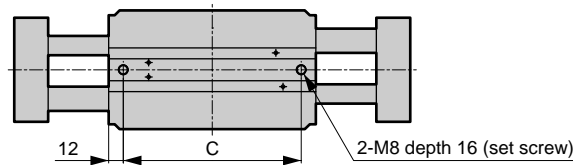
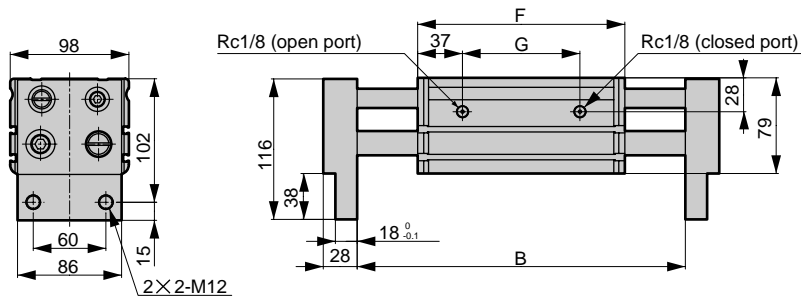
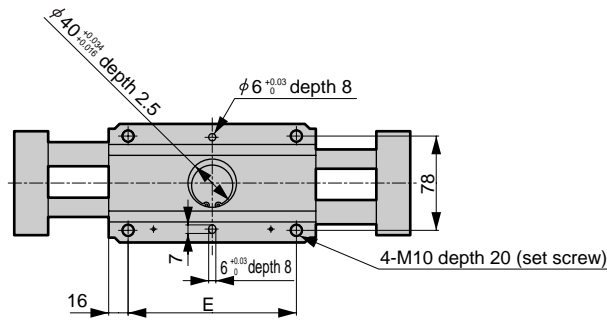
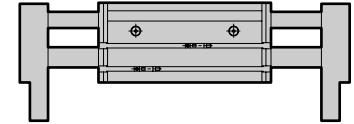
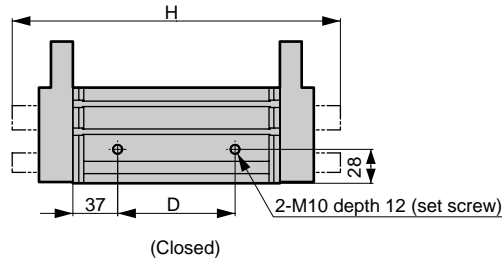
Symbol	B		C	D	E	F	G	H
	MAX	MIN						
Standard (blank)	183	113	89	52	86	113	52	179
L1	274	154	130	93	127	154	93	270
L2	354	194	170	133	167	194	133	350

Dimensions



● HMF-40CS standard/L1/L2

● With switch



Symbol	B		C	D	E	F	G	H
	MAX	MIN						
Standard (blank)	271	171	147	97	139	171	97	271
L1	361	201	177	127	169	201	127	361
L2	434	234	210	160	202	234	160	434

RRC
GRC
RV3*
NHS
HR
LN
FH100
HAP
BSA2
BHA/BHG
LHA
LHAG
HKP
HLA/HLB
HLAG/HLBG
HEP
HCP
HMF
HMFB
HFP
HLC
HGP
FH500
HLB
HDL
HMD
HJL
BHE
CKG
CK
CKA
CKS
CKF
CKJ
CKL2
CKL2 *-HC
CKH2
CKLB2
NCK/ SCK/FCK
FJ
FK
Ending

Compact wide parallel hand
Hand