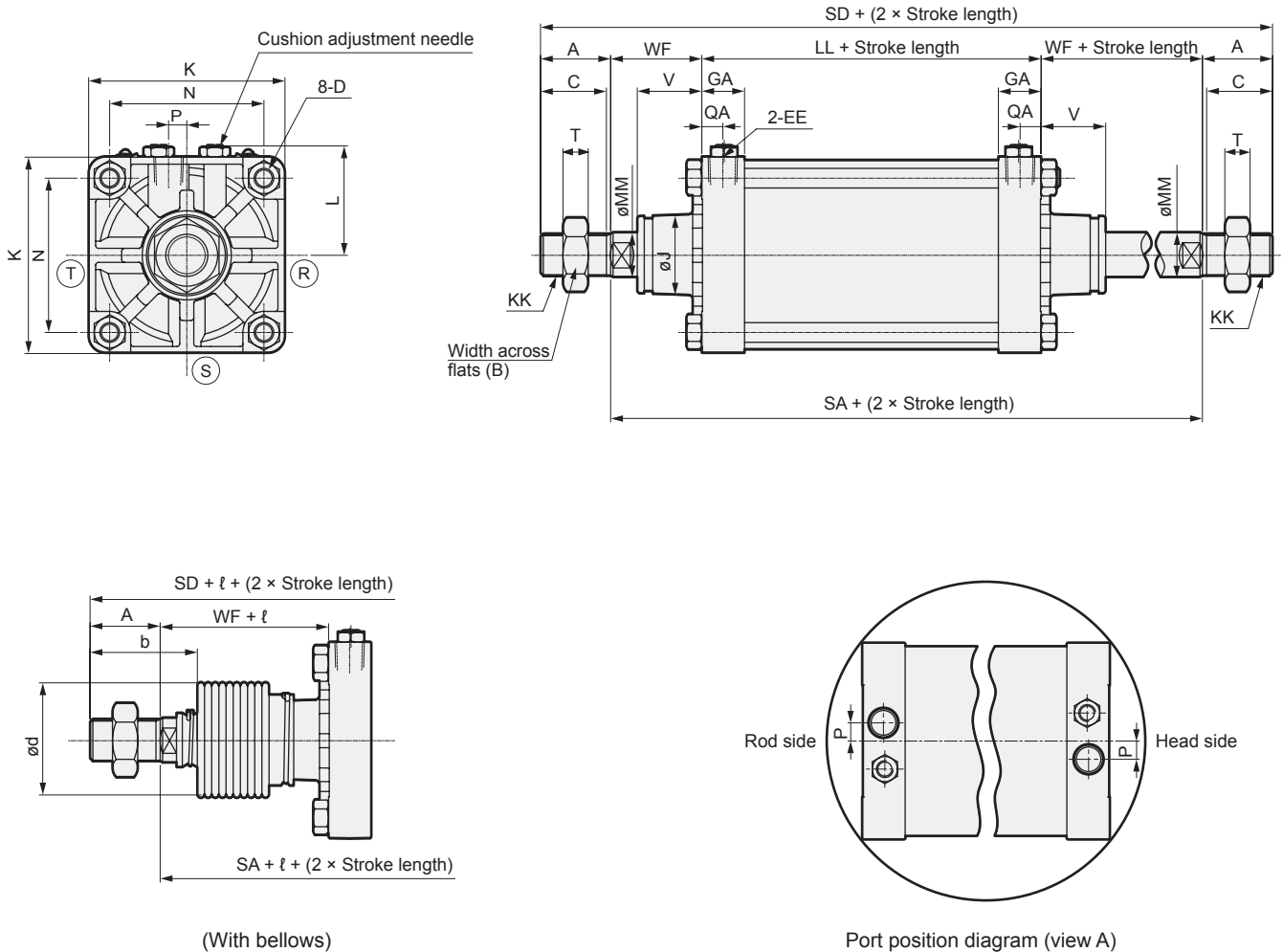


Dimensions



Note 1: (R)(S)(T) indicate the positions of cushion needles.

Note 2: The position of the width across flats for the right and left wrench hanging has not been specially determined.

Note 3: Refer to dimensions on page 14 for the accessories.

Symbol	Basic type (00) Basic dimensions										
Bore size (mm)	A	B	C	D	EE	GA	J	K	KK	L	LL
ø125	50	46	47	M14 × 1.5	Rc1/2	32	57	140	M30 × 1.5	78 to 82	92
ø140	50	46	47	M14 × 1.5	Rc3/4	36	57	157	M30 × 1.5	86.5 to 91	103
ø160	56	55	53	M16 × 1.5	Rc3/4	38.5	62	177	M36 × 1.5	96.5 to 101	106
ø180	63	60	60	M18 × 1.5	Rc3/4	39.5	68	200	M40 × 1.5	108 to 112	110
ø200	72	70	69	M20 × 1.5	Rc3/4	44.5	75	220	M45 × 1.5	120.5 to 129	123
ø250	88	85	84	M24 × 1.5	Rc1	49.5	93	274	M56 × 2	147.5 to 156	141

Symbol	Basic type (00) Basic dimensions									With bellows		
Bore size (mm)	MM	N	P	QA	SA	SD	T	V	WF	b	d	ℓ
ø125	32	110	13	15	222	322	18	45.5	65	74	75	(Stroke length/4.55) + 11
ø140	32	124	15	17	237	337	18	45.5	67	74	75	(Stroke length/4.55) + 9
ø160	40	142	15	17	248	360	21	48	71	82	80	(Stroke length/5.15) + 9
ø180	45	160	15	17	266	392	24	53	78	91	90	(Stroke length/5.15) + 9
ø200	50	175	20	18	299	443	27	60	88	102	95	(Stroke length/5.30) + 9
ø250	60	216	22	21	329	505	34	64	94	120	120	(Stroke length/6.40) + 9

Note: The dimensions of the individual mounting styles are the same as those of the double acting SCS2 Series. Refer to page 6 to 13.