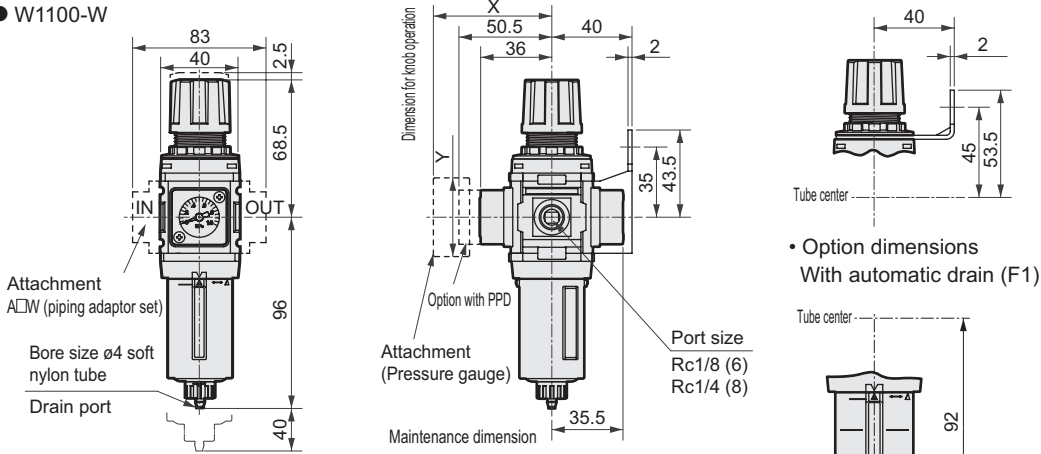


Filter/Regulator series

Dimensions



W1100-W

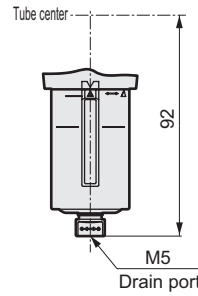


Panel cut dimension



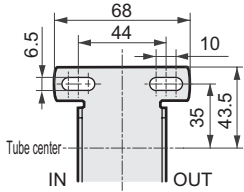
Panel plate thickness: Max. 6 mm

Option dimensions With automatic drain (F1)

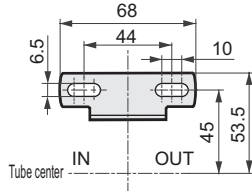


Attachment

C type bracket (-BW)
Part model no.: B120



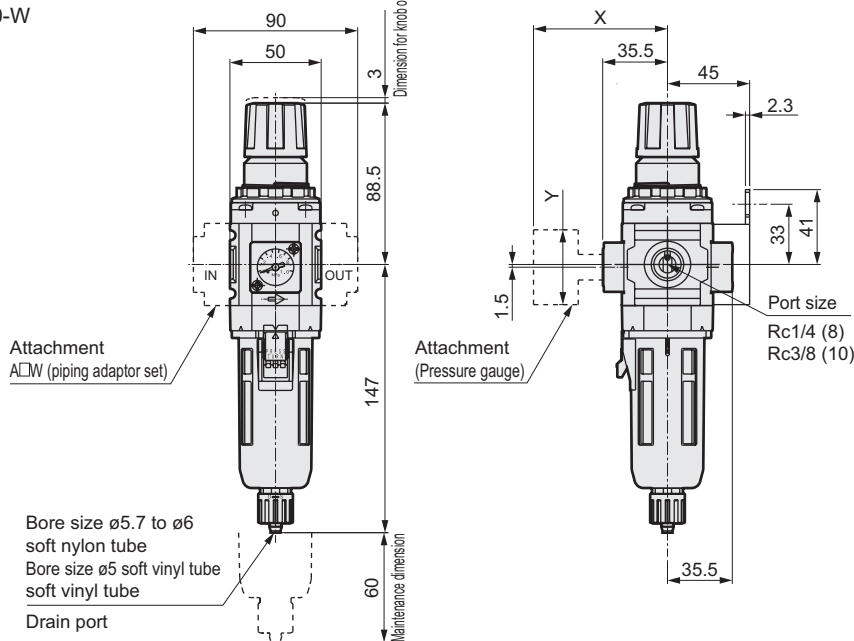
L type bracket (-B3W)
Part model no.: B130



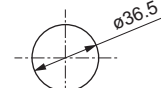
Pressure gauge attached optional dimensions table

Attached pressure gauge	X	Y
G45P	(74)	ø39
G49P	(73.5)	ø43.5
G59P	(76)	ø52
G40P	(75.5)	ø42.5
G50P	(75.5)	ø52.5
G41P	(74)	ø42
G52P	(86)	ø52.5
R2	(74)	□30

W2100-W



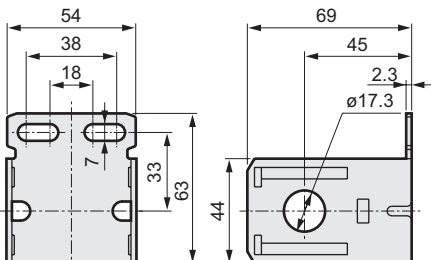
Panel cut dimension



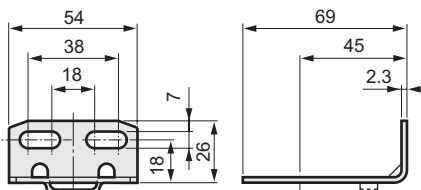
Panel plate thickness: Max. 4 mm

Attachment

C type bracket (-BW)
Part model no.: B220



L type bracket (-B3W)
Part model no.: B230



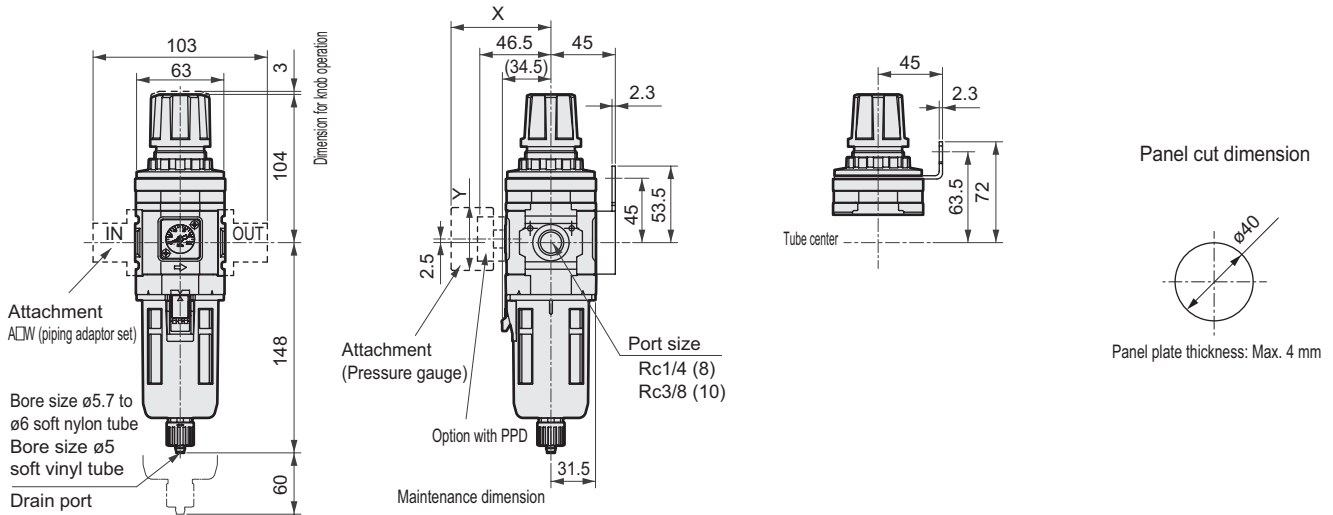
Pressure gauge attached optional dimensions table

Attached pressure gauge	X	Y
G45P	(73.5)	ø39
G49P	(73)	ø43.5
G40P	(75)	ø42.5
G41P	(73.5)	ø42
G52P	(85.5)	ø52.5
R2	(73)	□30

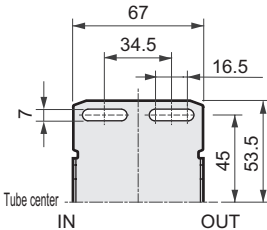
Dimensions



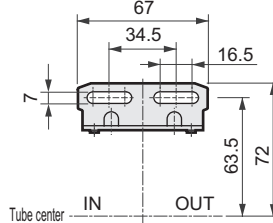
● W3100-W



- Attachment
C type bracket (-BW)
Part model no.: B320



- Attachment
L type bracket (-B3W)
Part model no.: B330

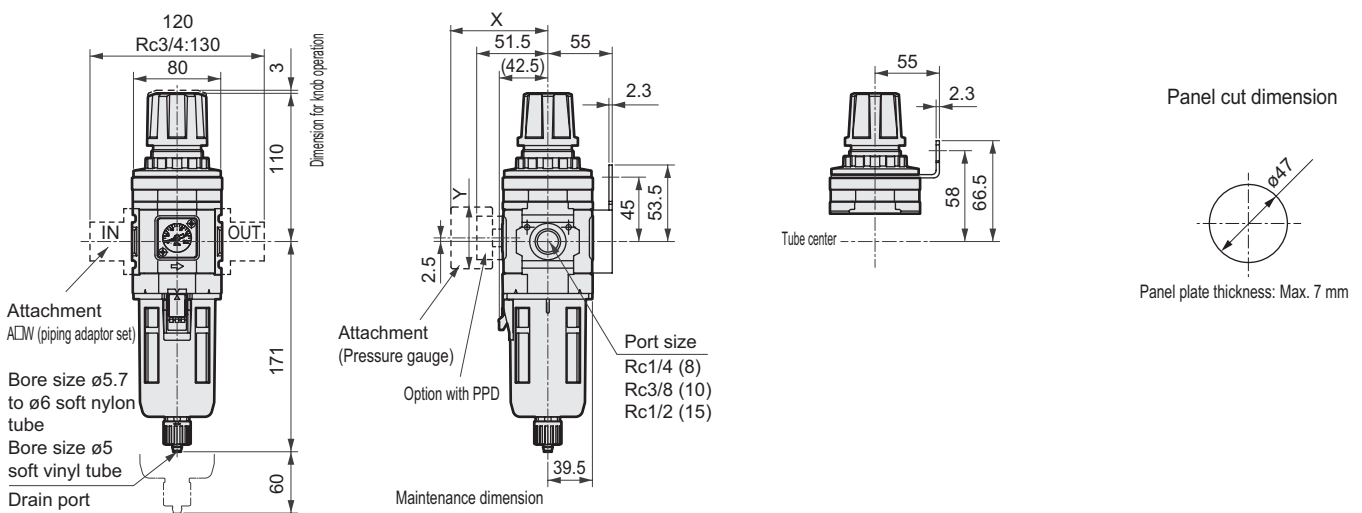


- For the plastic bowl, the dimensions of the manual cock and the automatic drain are same.

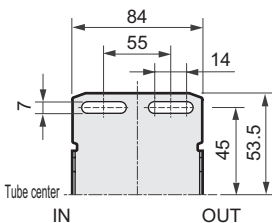
Pressure gauge attached optional dimensions table

Attached pressure gauge	X	Y
G45P	(70)	ø39
G49P	(69.5)	ø43.5
G59P	(72)	ø52
G40P	(71.5)	ø42.5
G50P	(71.5)	ø52.5
G41P	(70)	ø42
G52P	(82)	ø52.5
R2	(69.5)	□30

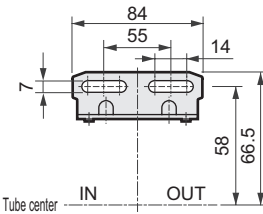
● W4100-W



- Attachment
C type bracket (-BW)
Part model no.: B420



- Attachment
L type bracket (-B3W)
Part model no.: B430



- For the plastic bowl, the dimensions of the manual cock and the automatic drain are same.

Pressure gauge attached optional dimensions table

Attached pressure gauge	X	Y
G45P	(75)	ø39
G49P	(74.5)	ø43.5
G59P	(77)	ø52
G40P	(76.5)	ø42.5
G50P	(76.5)	ø52.5
G41P	(75)	ø42
G52P	(86)	ø52.5
R2	(75)	□30

Refrigerating type dryer
Desiccant type dryer
High polymer membrane type dryer
Air filter
Auto. drain / others
F.R.L. (Module unit)
F.R.L. (Separate)
Compact F.R.
Precise regulator
F.R.L. (Related products)
Clean F.R.
Electro pneumatic regulator
Air booster
Speed control valve
Silencer
Check valve / others
Joint / tube
Vacuum filter
Vacuum regulator
Suction plate
Magnetic spring buffer
Mechanical pressure SW
Electronic pressure SW
Contact / close contact cont. SW
Air sensor
Pressure SW for coolant
Small flow sensor
Small flow controller
Flow sensor for air
Flow sensor for water
Total air system
Total air system (Gamma)
Ending

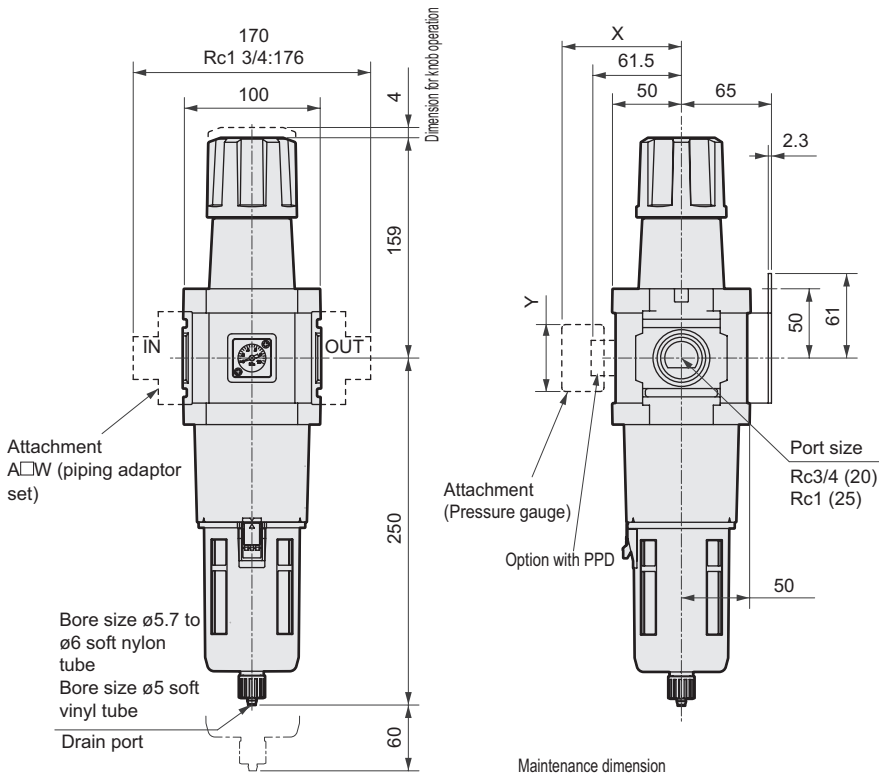
Standard series
F.R.L. unit

Filter/Regulator series

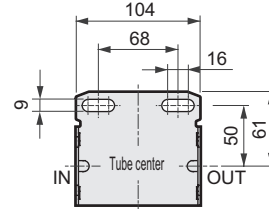
Dimensions



● W8100-W



- Attachment
C type bracket (-BW)
Part model no.: B820



Pressure gauge attached optional dimensions table

Attached pressure gauge	X	Y
G45P	(85)	ø39
G49P	(84.5)	ø43.5
G59P	(87)	ø52
G40P	(86.5)	ø42.5
G50P	(86.5)	ø52.5
G41P	(85)	ø42
G52P	(98)	ø52.5
R2	(85)	□30

- For the plastic bowl, the dimensions of the manual cock and the automatic drain are same.