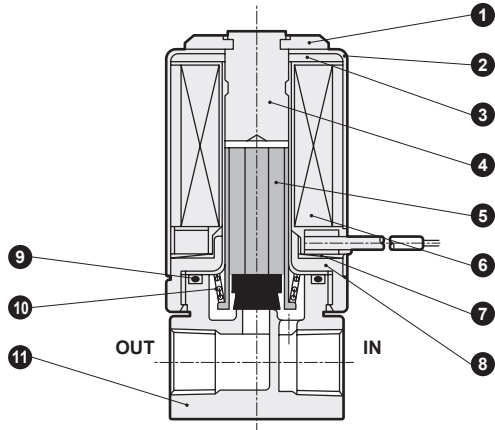


## Internal structure and parts list

● USB3-6



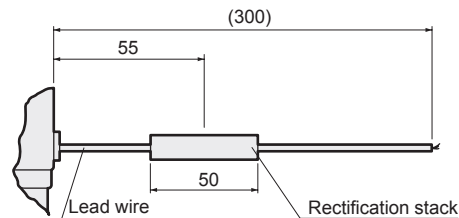
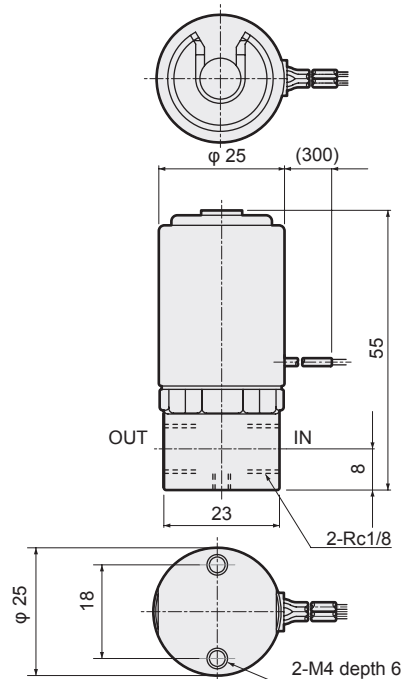
No.	Parts name	Material	
1	Clip	PBT	PBT
2	Bonnet	SPC	Steel
3	Bonnet piece	SPC	Steel
4	Core assembly	SUS316, SUS405 equiv.	Stainless steel
5	Plunger assembly	SUS405 equiv., NBR (FKM)	Stainless steel, nitrile rubber (fluoro rubber)
6	Coil assembly	-	-
7	Waving washer	S65CM	Steel
8	Core B	SUM22	Free-cutting steel
9	O-ring	NBR (FKM)	Nitrile rubber (fluoro rubber)
10	Plunger spring	SUS304	Stainless steel
11	Body	C3604 (SUS303)	Brass (stainless steel)

( ) shows options.

## Dimensions



● USB3-6



The alternating current (AC) type has a rectification stack assembled into the lead wire.

EXA

FWD

HNB/G

USB/G

FAB/G

FGB/G

FVB

FWB/G

FHB

FLB

AB

AG

AP/  
AD

APK/  
ADK

For  
dry air

Explosion  
proof

HVB/  
HVL

S<sup>Δ</sup>B/  
NAB

LAD/  
NAD

Related  
components  
for water

NP/NAP/  
NVP

CHB/G

MXB/G

Others  
Valve

Dust  
collecting

CVE/  
CVSE

CCH,  
CPE/D

Medical  
analysis

Gas  
combustion

Automatic  
watering

Custom order  
product

Ending