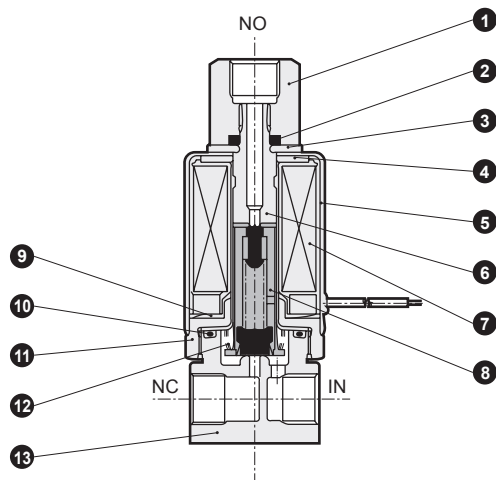


Internal structure and parts list

● USG3-6



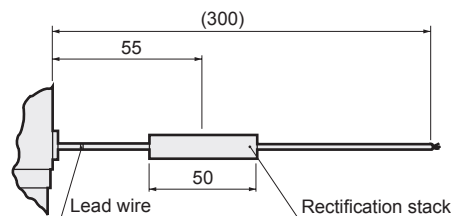
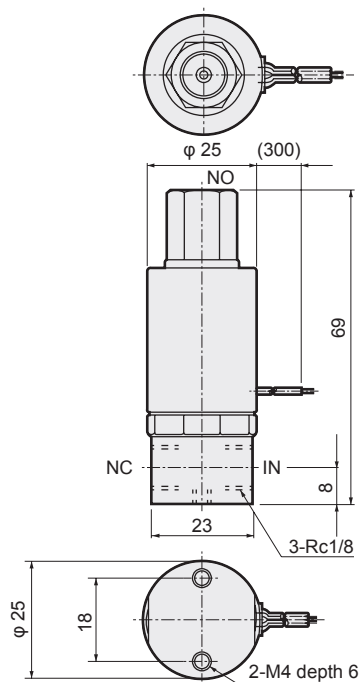
No.	Parts name	Material	
1	Socket	C3604 (SUS303)	Brass (stainless steel)
2	O-ring	NBR (FKM)	Nitrile rubber (fluoro rubber)
3	Washer	SPC	Steel
4	Bonnet piece	SPC	Steel
5	Bonnet	SPC	Steel
6	Core assembly	SUS316, SUS405 equiv.	Stainless steel
7	Coil assembly	-	-
8	Plunger assembly	SUS405 equiv., NBR (FKM)	Stainless steel, nitrile rubber (fluoro rubber)
9	Waving washer	S65CM	Steel
10	O-ring	NBR (FKM)	Nitrile rubber (fluoro rubber)
11	Core B	SUM22	Free-cutting steel
12	Plunger spring	SUS304	Stainless steel
13	Body	C3604 (SUS303)	Brass (stainless steel)

() shows options.

Dimensions



● USG3-6



The alternating current (AC) type has a rectification stack assembled into the lead wire.

EXA

FWD

HNB/G

USB/G

FAB/G

FGB/G

FVB

FWB/G

FHB

FLB

AB

AG

AP/
AD

APK/
ADK

For
dry air

Explosion
proof

HVB/
HVL

SAB/
NAB

LAD/
NAD

Related
components
for water

NP/NAP/
NVP

CHB/G

MXB/G

Others
Valve

Dust
collecting

CVE/
CVSE

CCH,
CPE/D

Medical
analysis

Gas
combustion

Automatic
watering

Custom order
product

Ending