



Frequent operation direct acting 2-port solenoid valve

A2-5201

- NC
- Working fluid: Compressed air, dry gas, inert gas
- Port size: Rc1/8, Rc1/4

Custom order product



The air pressure open/close state can be controlled at high frequency.

- Excellent response and response stability.
- Durability: 10 or more times higher than conventional products.

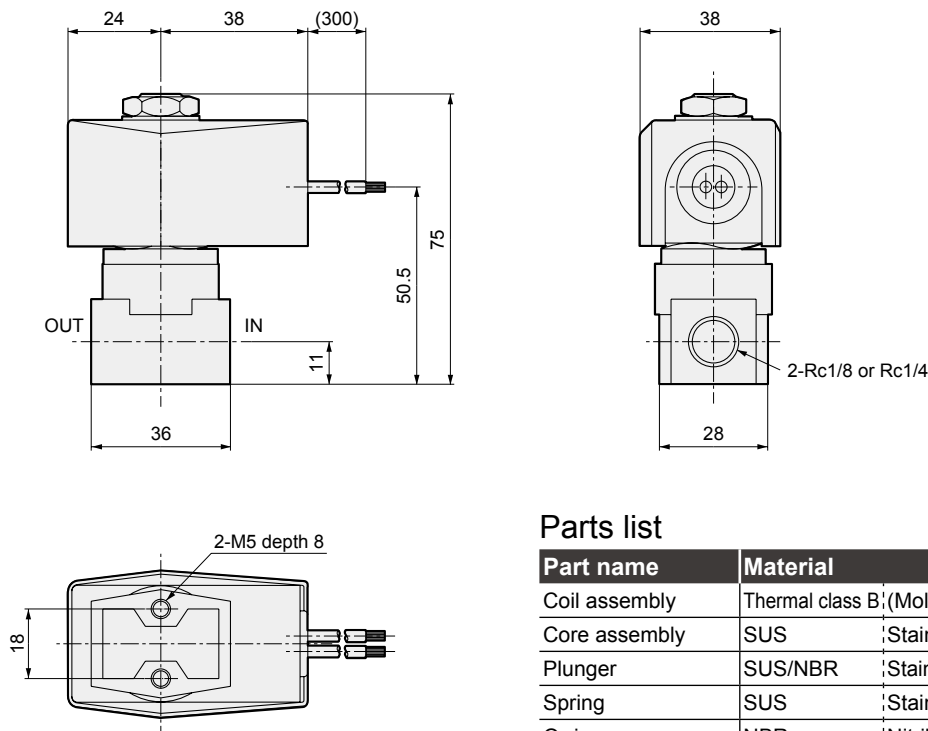
Specifications

1 MPa = 10 bar

Descriptions	A2-5201-01-3	A2-5201-01-4	A2-5201-02-3	A2-5201-02-4
Working fluid	Compressed air, dry gas, inert gas			
Working pressure MPa	0 (≈0 psi) to 0.7 (≈100 psi)	0 (≈0 psi) to 0.5 (≈73 psi)	0 (≈0 psi) to 0.7 (≈100 psi)	0 (≈0 psi) to 0.5 (≈73 psi)
Proof pressure (water pressure) MPa	1.5 (≈220 psi, 15 bar)			
Fluid temperature °C	0 (32°F) to 50 (122°F)			
Ambient temperature °C	0 (32°F) to 50 (122°F)			
Valve seat leakage cm ³ /min	0			
Port size	Rc1/8		Rc1/4	
Orifice size mm	3	4	3	4
C[dm ³ /(s·bar)]	1.2	2.1	1.2	2.1
b	0.53	0.50	0.53	0.50
Weight kg	0.46		0.45	
Mounting orientation	Unrestricted			
Electrical specifications				
Rated voltage	24 VDC intermittent rating (energizing time ratio: ON ≤ OFF, max. continuous energizing time: 10 sec)			
Power consumption W	20			
Thermal class	Class 130 (B)			

*1: Effective cross-sectional area S and sonic conductance C are converted as $S \approx 5.0 \times C$.

Dimensions and parts list



Parts list

Part name	Material
Coil assembly	Thermal class B ₁ (Mold)
Core assembly	SUS ; Stainless steel
Plunger	SUS/NBR ; Stainless steel/nitrile rubber
Spring	SUS ; Stainless steel
O-ring	NBR ; Nitrile rubber
Body	C3771 ; Copper alloy