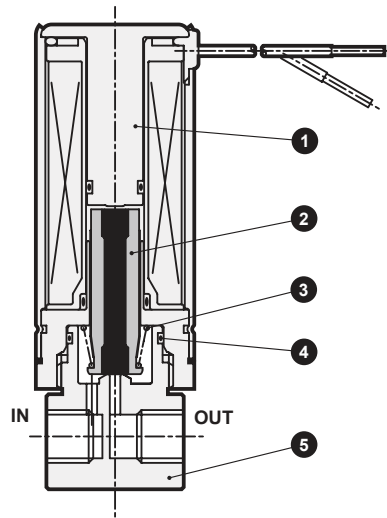


Internal structure and parts list

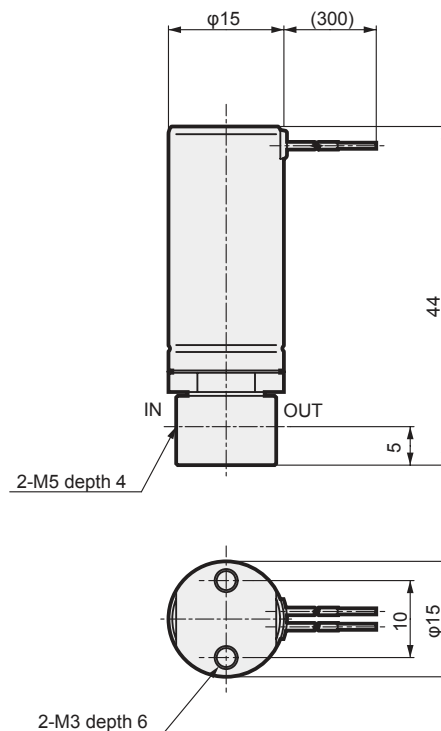
● HNB1



No.	Part name	Material	
1	Core assembly	PPS, STKM, SUS	Resin, stainless steel
2	Plunger assembly	SUS, NBR	Stainless steel, nitrile rubber
3	Spring	SUS304	Stainless steel
4	O-ring	NBR	Nitrile rubber
5	Body	SUS303	Stainless steel

Dimensions

● HNB1



EXA
FWD
HNB/G
USB/G
FAB/G
FGB/G
FVB
FWB/G
FHB
FLB
AB
AG
AP/ AD
APK/ ADK
DryAir
EX- XPLNprf
XPLNprf
HVB/ HVL
S ^Δ B/ NAB
LAD/ NAD
Water- Rela
NP/NAP/ NVP
SNP
CHB/G
MXB/G
Other valves
SWD/ MWD
DustColl
CVE/ CVSE
CCH / CPE/D
LifeSci
Gas- Combus
Auto- Water
SpecFld
Custom
Ending