

## Dimensions for SCG Series common accessory (rod eye/clevis/bracket)

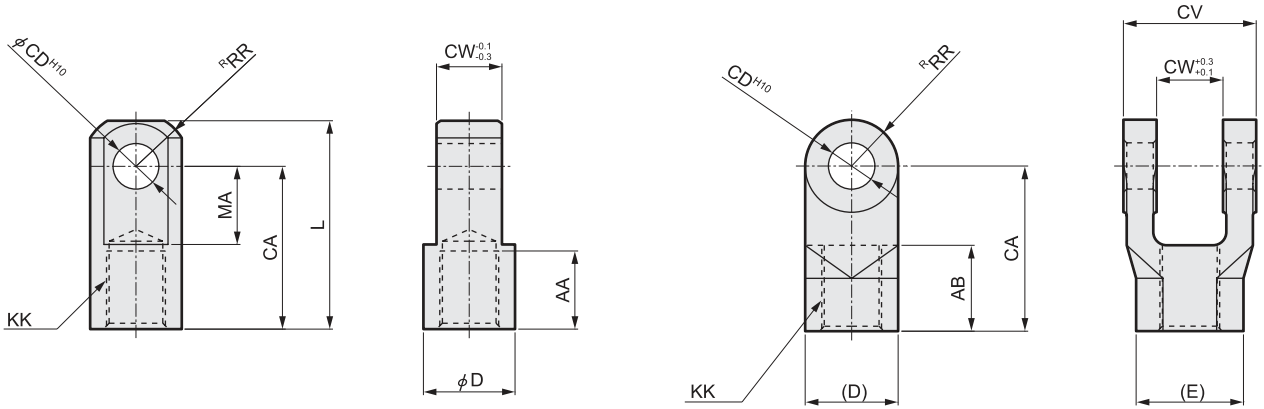
- SCP\*2
- CMK2
- CMA2
- SCM
- SCG**
- SCA2
- SCS
- CKV2
- CA/OV2
- SSD
- CAT
- MDC2
- MVC
- SMD2
- MSD\*
- FC\*
- STK
- ULK\*
- JSK/M2
- JSG
- JSC3
- USSD
- USC
- JSB3
- LMB
- STG
- STS/L
- LCS
- LCG
- LCM
- LCT
- LCY
- STR2
- UCA2
- HCM
- HCA
- SRL2
- SRG
- SRM
- SRT
- MRL2
- MRG2
- SM-25
- CAC3
- UCAC
- RCC2
- MFC
- SHC
- GLC
- Ending

### ● Rod eye (I)

Material: Steel

### ● Rod clevis (Y)

Material: Cast iron



Model no.	Applicable bore size (mm)	AA	CA	CD	CW	D	KK	L	MA	RR	Weight (kg)
SCG-I-32	32	14	30	10	14	20	M10 x 1.25	40	16	12	0.07
SCG-I-40	40	19	40	10	14	22	M14 x 1.5	50	19	12.5	0.07
SCG-I-50	50, 63	24	50	14	20	28	M18 x 1.5	64	24	16.5	0.20
SCG-I-80	80	26	60	22	30	40	M22 x 1.5	80	34	23.5	0.52
SCG-I-100	100	26	60	22	30	40	M26 x 1.5	80	34	23.5	0.48

Model no.	Applicable bore size (mm)	AB	CA	CD	CV	CW	D	E	KK	RR	Weight (kg)
SCG-Y-32	32	14	30	10	28	14	20	23.1	M10 x 1.25	10	0.10
SCG-Y-40	40	21	40	10	28	14	22	25.4	M14 x 1.5	11	0.13
SCG-Y-50	50, 63	26	50	14	40	20	28	32.3	M18 x 1.5	14	0.30
SCG-Y-80	80	31	65	22	60	30	40	46.2	M22 x 1.5	20	0.94
SCG-Y-100	100	31	65	22	60	30	40	46.2	M26 x 1.5	20	0.92

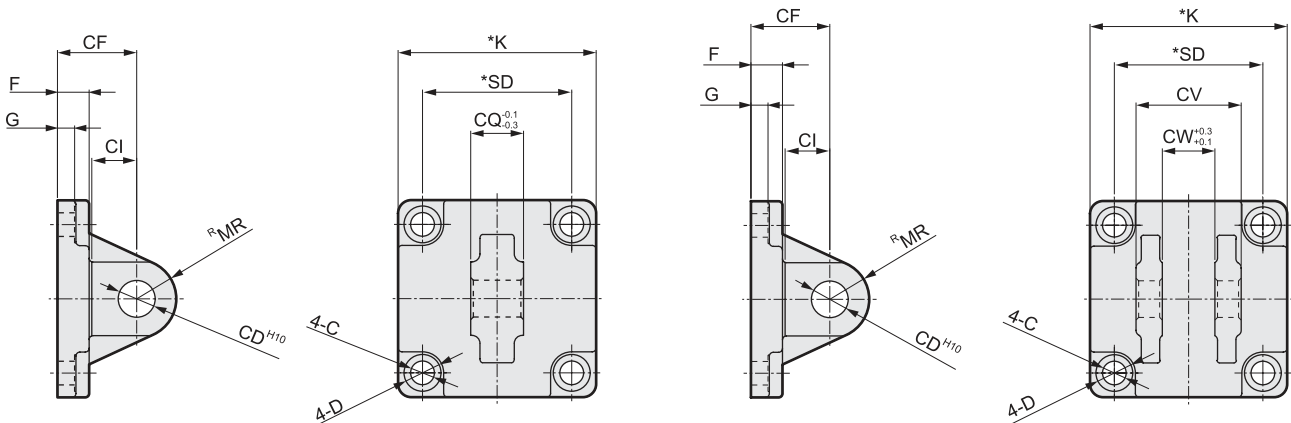
Note: Pin, split pin and plain washer are included.

### ● Eye bracket (B1)

Material: Cast iron

### ● Clevis bracket (B2)

Material: Cast iron



Model no.	Applicable bore size (mm)	C	CD	CF	CI	CQ	D	F	G	K	MR	SD	Weight (kg)
SCG-B1-32	32	6.6	10	23	13	14	11	9	4.5	46	10.5	32.5	0.13
SCG-B1-40	40	6.6	10	23	13	14	11	9	4.5	52	11	38	0.16
SCG-B1-50	50	9	14	30	17	20	14	12	6.5	65	15	46.5	0.38
SCG-B1-63	63	9	14	30	17	20	14	12	6.5	75	15	56.5	0.48
SCG-B1-80	80	11	22	42	26	30	17	15	8.5	95	23	72	1.19
SCG-B1-100	100	11	22	42	26	30	17	15	8.5	114	23	89	1.56

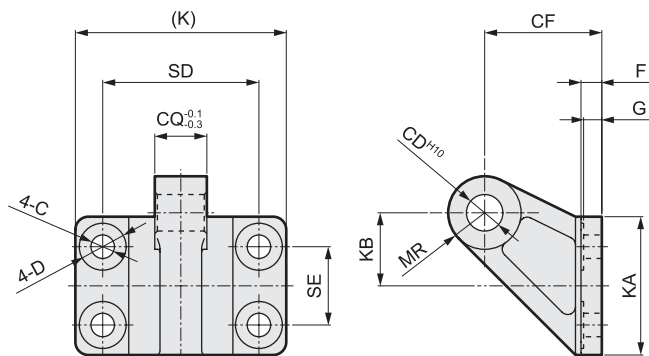
Model no.	Applicable bore size (mm)	C	CD	CF	CI	CV	CW	D	F	G	K	MR	SD	Weight (kg)
SCG-B2-32	32	6.6	10	23	13	28	14	11	9	4.5	46	10.5	32.5	0.16
SCG-B2-40	40	6.6	10	23	13	28	14	11	9	4.5	52	11	38	0.20
SCG-B2-50	50	9	14	30	17	40	20	14	12	6.5	65	15	46.5	0.46
SCG-B2-63	63	9	14	30	17	40	20	14	12	6.5	75	15	56.5	0.58
SCG-B2-80	80	11	22	42	26	60	30	17	15	8.5	95	23	72	1.52
SCG-B2-100	100	11	22	42	26	60	30	17	15	8.5	114	23	89	1.91

Note: Pin, split pin and plain washer are included.

### Accessory dimensions

● Eye bracket (B3)

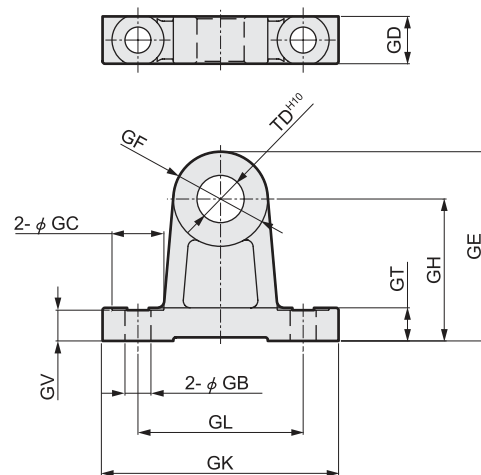
Material: Cast iron



Model no.	Applicable bore size (mm)	C	CD	CF	CQ	D	F	G	K	KA	KB	MR	SD	SE	Weight (kg)
SCG-B3-32	32, 40	6.6	10	33	14	15	7	6	62	42	21	10	44	22	0.21
SCG-B3-50	50, 63	9	14	45	20	18	8	7	81	53	28	14	60	30	0.45
SCG-B3-80	80, 100	11	22	65	30	22	10	9	111	73	41.5	22	86	45	1.23

● Trunnion type No. 2 bracket (B4)

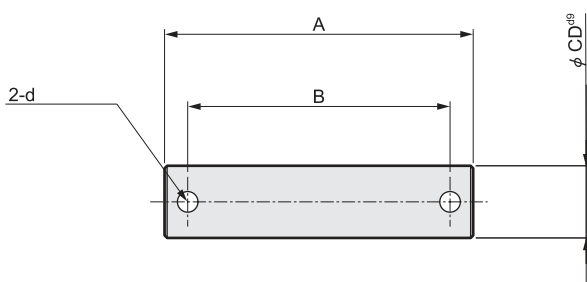
Material: Cast iron



Model no.	Applicable bore size (mm)	GB	GC	GD	GE	GF	GH	GK	GL	GT	GV	TD	Weight (kg)
SCG-B4-32	32	7	13	12	47	24	35	62	45	10	9	12	0.20
SCG-B4-40	40, 50	9	18	17	60	30	45	80	60	12	11	16	0.43
SCG-B4-63	63, 80	11	22	20	80	40	60	100	70	14	13	20	0.87
SCG-B4-100	100	13.5	24	26	100	50	75	120	90	17	16	25	1.75

● Pin (P)

Material: Steel



Model no.	Applicable bore size (mm)	A	B	CD	d	Weight (kg)
SCG-P-32	32, 40	44	36	10	3	0.04
SCG-P-50	50, 63	60	51	14	4	0.10
SCG-P-80	80, 100	82	72	22	4	0.34

Note: Clevis bracket/rod clevis/clevis bracket types.  
Split pin and plain washer are included.

- SCP\*2
- CMK2
- CMA2
- SCM
- SCG**
- SCA2
- SCS
- CKV2
- CA/OV2
- SSD
- CAT
- MDC2
- MVC
- SMD2
- MSD\*
- FC\*
- STK
- ULK\*
- JSK/M2
- JSG
- JSC3
- USSD
- USC
- JSB3
- LMB
- STG
- STS/L
- LCS
- LCG
- LCM
- LCT
- LCY
- STR2
- UCA2
- HCM
- HCA
- SRL2
- SRG
- SRM
- SRT
- MRL2
- MRG2
- SM-25
- CAC3
- UCAC
- RCC2
- MFC
- SHC
- GLC
- Ending

Tie rod cylinder  
Standard type