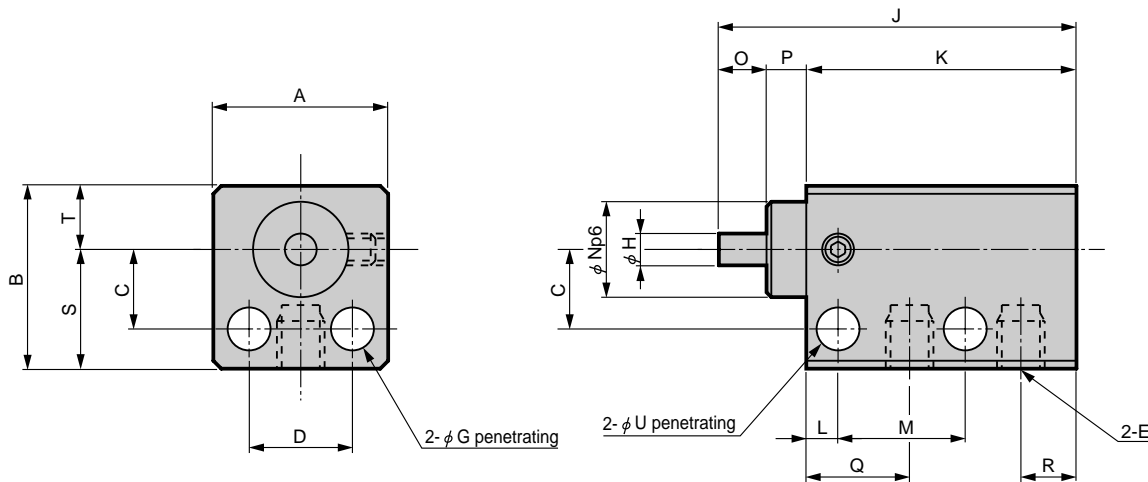


### Dimensions



- MDC2-4-3, 6 (single acting retract/with switch)



Model no.	A	B	C	D	E	G	H	J	K	L	M	N	O	P	Q	R	S	T	U
MDC2-4-3	11	11.5	5	6.5	M3	2.7	2	22.5	17	2	8	6	3	2.5	6.5	3.5	7.5	4	2.7
MDC2-4-6	11	11.5	5	6.5	M3	2.7	2	25.5	20	2	11	6	3	2.5	6.5	3.5	7.5	4	2.7

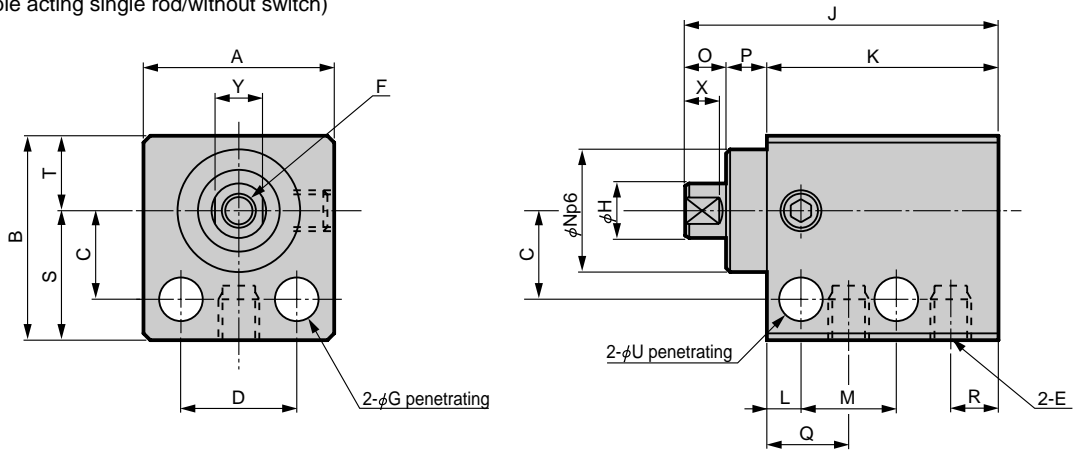
SCP*2
CMK2
CMA2
SCM
SCG
SCA2
SCS
CKV2
CA/OV2
SSD
CAT
<b>MDC2</b>
MVC
SMD2
MSD*
FC*
STK
ULK*
JSK/M2
JSG
JSC3
USSD
USC
JSB3
LMB
STG
STS/L
LCS
LCG
LCM
LCT
LCY
STR2
UCA2
HCM
HCA
SRL2
SRG
SRM
SRT
MRL2
MRG2
SM-25
CAC3
UCAC
RCC2
MFC
SHC
GLC
Ending

Small direct mounting cylinder  
Space saving structure

## Dimensions

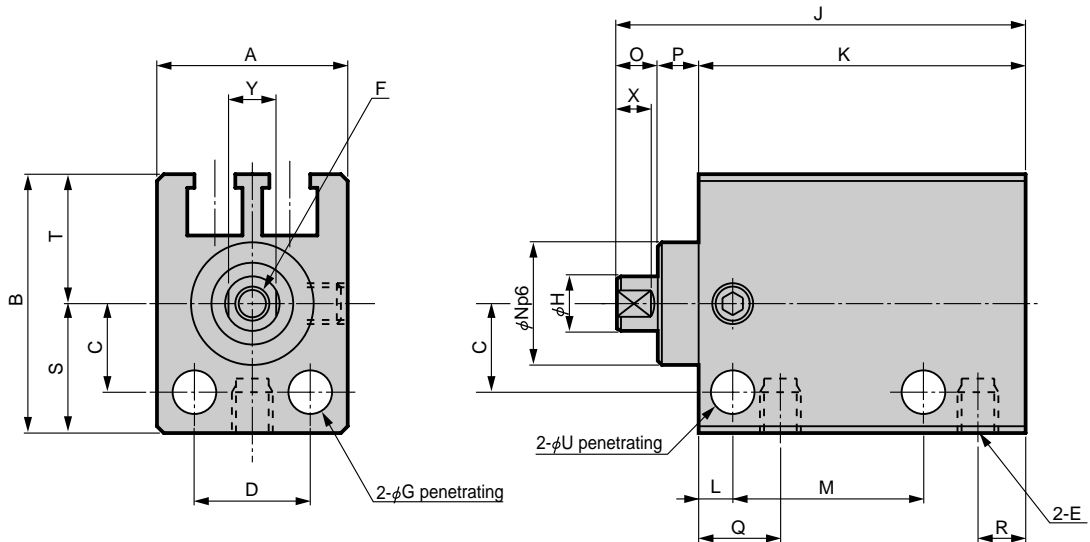


### ● MDC2-6, 8, 10 (double acting single rod/without switch)



Model no.	Stroke length	A	B	C	D	E	F	G	H	J	K	L	M	O	N	P	Q	R	S	T	U	X	Y
MDC2-6	4	14	15	6.5	8.5	M3	M2.5 x	3.2	4	23	17	2.5	7.5	3	9	3	6	3.5	9.5	5.5	3.2	2.5	3.5
	0.45						25			19	9												
	depth 4						27			21	11												
MDC2-8	4	16	17	7.5	10	M3	M3 x	3.2	5	23	17	2.5	7.5	3	11	3	6	3.5	10.5	6.5	3.2	2.5	4.5
	0.5						25			19	9												
	depth 5						27			21	11												
MDC2-10	4	16	17.5	8	10	M5	M3 x	3.2	6	28	22	2.5	9.5	3	11	3	7	5	11	6.5	3.2	2.5	5
	0.5						30			24	11.5												
	depth 5						34			28	15.5												

### ● MDC2-L-6, 8, 10 (double acting single rod/with switch)



Model no.	Stroke length	A	B	C	D	E	F	G	H	J	K	L	M	O	N	P	Q	R	S	T	U	X	Y
MDC2-L-6	4	14	19	6.5	8.5	M3	M2.5 x	3.2	4	28	22	2.5	12.5	3	9	3	6	3.5	9.5	9.5	3.2	2.5	3.5
	0.45						30			24	14												
	depth 4						32			26	16												
MDC2-L-8	4	16	22	7.5	10	M3	M3 x	3.2	5	28	22	2.5	12.5	3	11	3	6	3.5	11	11	3.2	2.5	4.5
	0.5						30			24	14												
	depth 5						32			26	16												
MDC2-L-10	4	16	22	8	10	M5	M3 x	3.2	6	31	25	2.5	12.5	3	11	3	7	5	11	11	3.2	2.5	5
	0.5						33			27	14.5												
	depth 5						37			31	18.5												