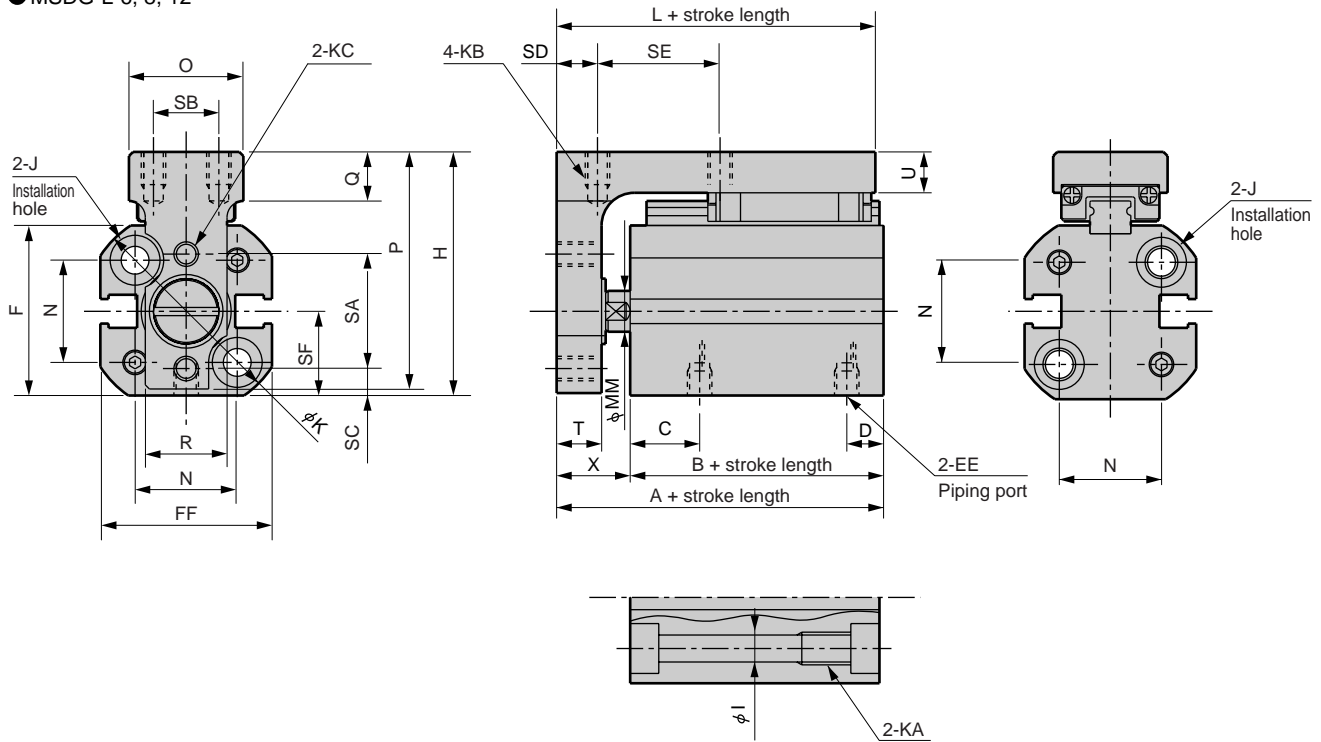


MSDG-L Series

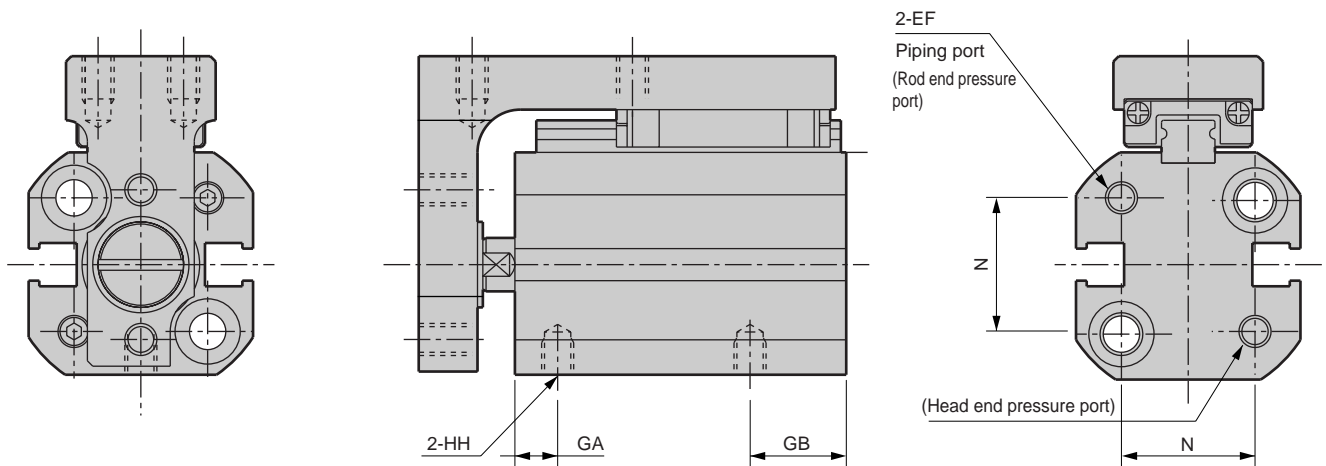
Dimensions



● MSDG-L-6, 8, 12



● MSDG-L-6, 8, 12-*R (rear common port)

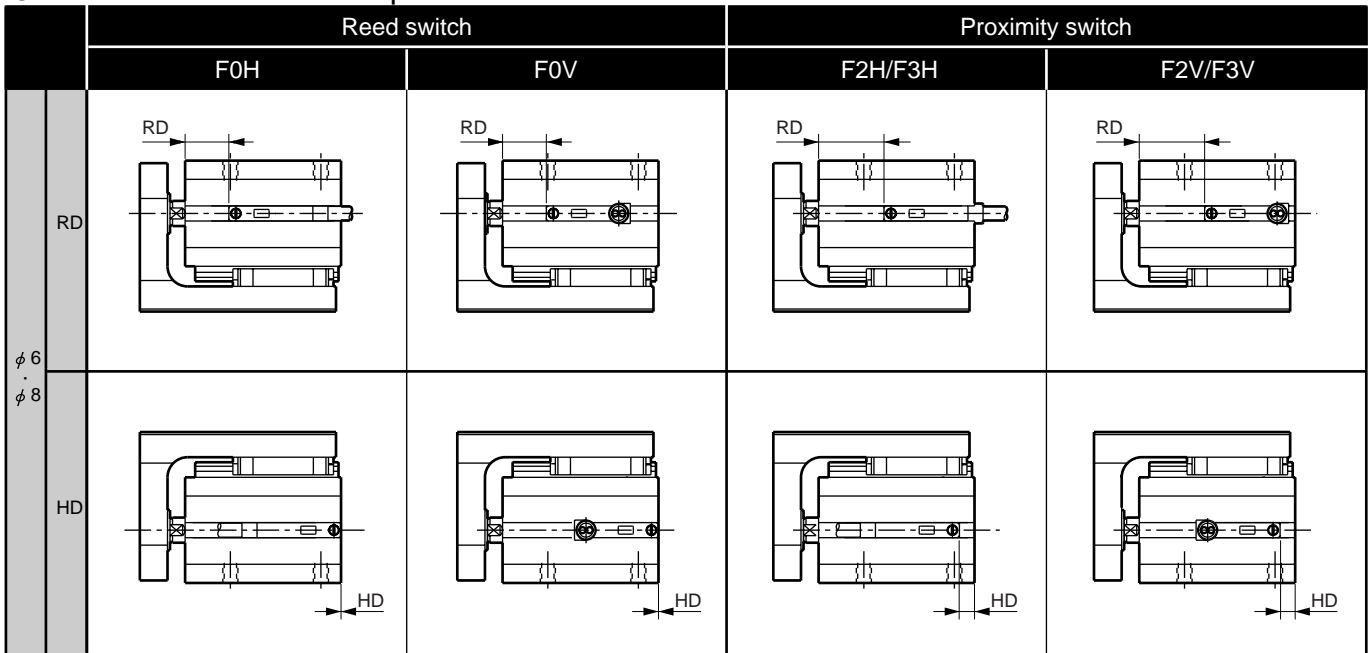


Symbol	A	B	C	D	EE	EF	F	FF	GA	GB	H	HH	I	J	K	KA	KB	KC
Bore size (mm)																		
φ6	33.5	24.5	7.5	4	M3	M3	18.8	19	3	8.5	27.8	M3 depth 3	3.2	Spot face φ6.1 depth 3.5	22.5	M4 depth 6	M3 depth 4	M3 (penetrating)
φ8	35	26	9	4	M3	M3	20.8	21	4.5	8.5	29.8	M3 depth 3	3.2	Spot face φ6.1 depth 3.5	25	M4 depth 6	M3 depth 4	M3 (penetrating)
φ12	38	27	11.5	5	M5	M3	24.8	25	4	10.5	36.3	M3 depth 3	3.2	Spot face φ6.1 depth 3.5	31	M4 depth 6	M3 depth 4.5	M3 (penetrating)

Symbol	L	MM	N	O	P	Q	R	SA	SB	SC	SD	SE	SF	T	U	X
Bore size (mm)																
φ6	32	4	11	14	27	6	9.5	12	8	3.3	5	15	9.3	5.5	5	9
φ8	33.5	5	12.5	14	29	6	10	14	8	3.3	5	15	10.3	5.5	5	9
φ12	36.5	6	15.5	19	35	6.5	13	15.5	12	4.5	5	15	12.3	7	6.5	11

Switch installation position

● MSDG-L-6/8 installation position



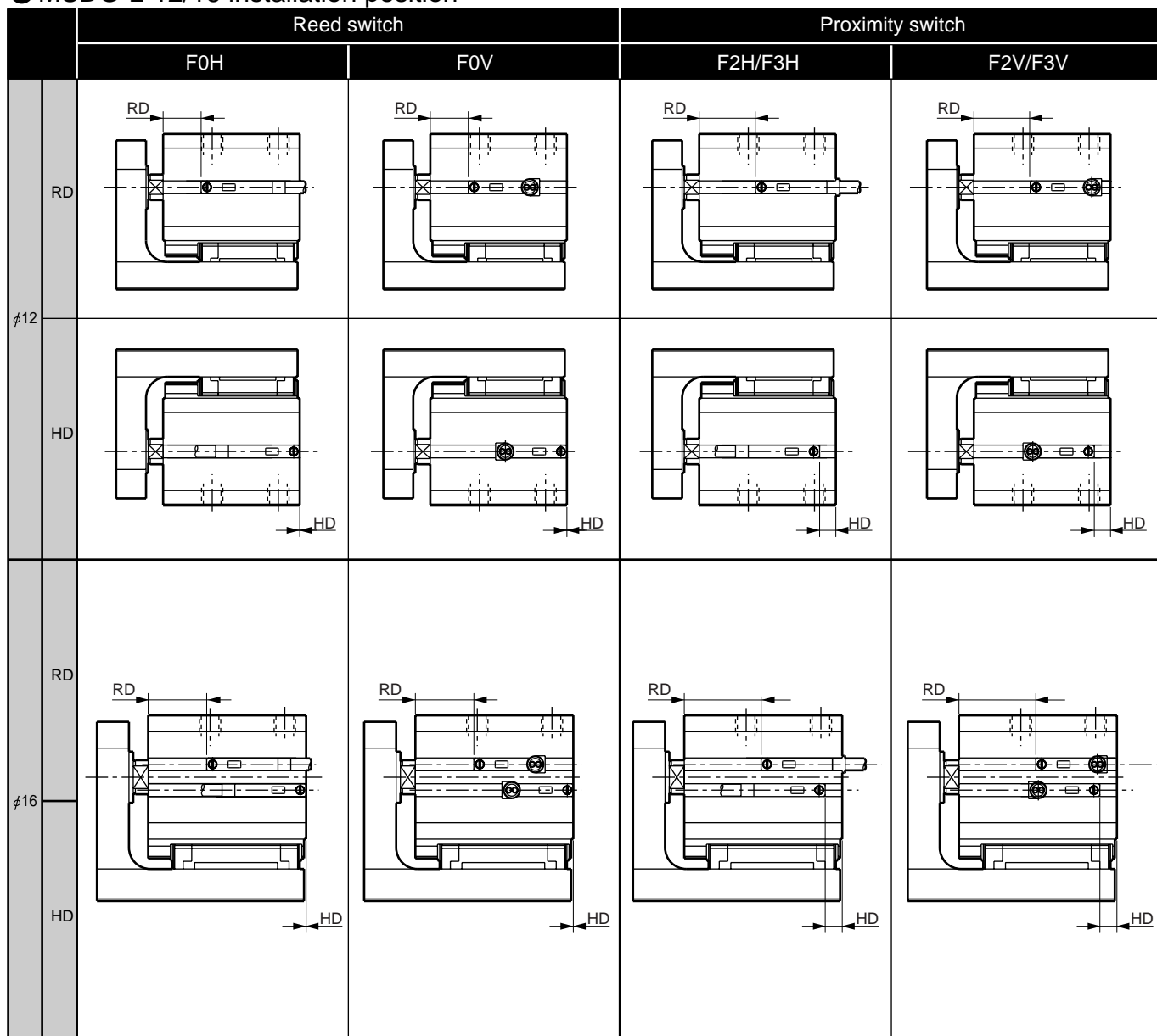
● MSDG-L-6/8 switch installation position dimension

(mm)

Model	Bore size (mm)	Reed switch				Proximity switch			
		F0H		F0V		F2H/F3H		F2V/F3V	
		RD	HD	RD	HD	RD	HD	RD	HD
MSDG	$\phi 6$	6.0	0	6.0	0	10.0	3.5	10.0	3.5
	$\phi 8$	8.5	0	8.5	0	12.5	2.5	12.5	2.5

Switch installation position

● MSDG-L-12/16 installation position



- SCP*2
- CMK2
- CMA2
- SCM
- SCG
- SCA2
- SCS
- CKV2
- CA/OV2
- SSD
- CAT
- MDC2
- MVC
- SMD2
- MSD*
- FC*
- STK
- ULK*
- JSK/M2
- JSG
- JSC3
- USSD
- USC
- JSB3
- LMB
- STG
- STS/L
- LCS
- LCG
- LCM
- LCT
- LCY
- STR2
- UCA2
- HCM
- HCA
- SRL2
- SRG
- SRM
- SRT
- MRL2
- MRG2
- SM-25
- CAC3
- UCAC
- RCC2
- MFC
- SHC
- GLC

● MSDG-L-12/16 switch installation position dimension

(mm)

Model	Bore size (mm)	Reed switch				Proximity switch			
		F0H		F0V		F2H/F3H		F2V/F3V	
		RD	HD	RD	HD	RD	HD	RD	HD
MSDG	φ12	9.0	0	9.0	0	13.0	3.5	13.0	3.5
	φ16	14.0	0	14.0	0	17.5	3.5	17.5	3.5

Ending

Small compact cylinder
Space saving structure