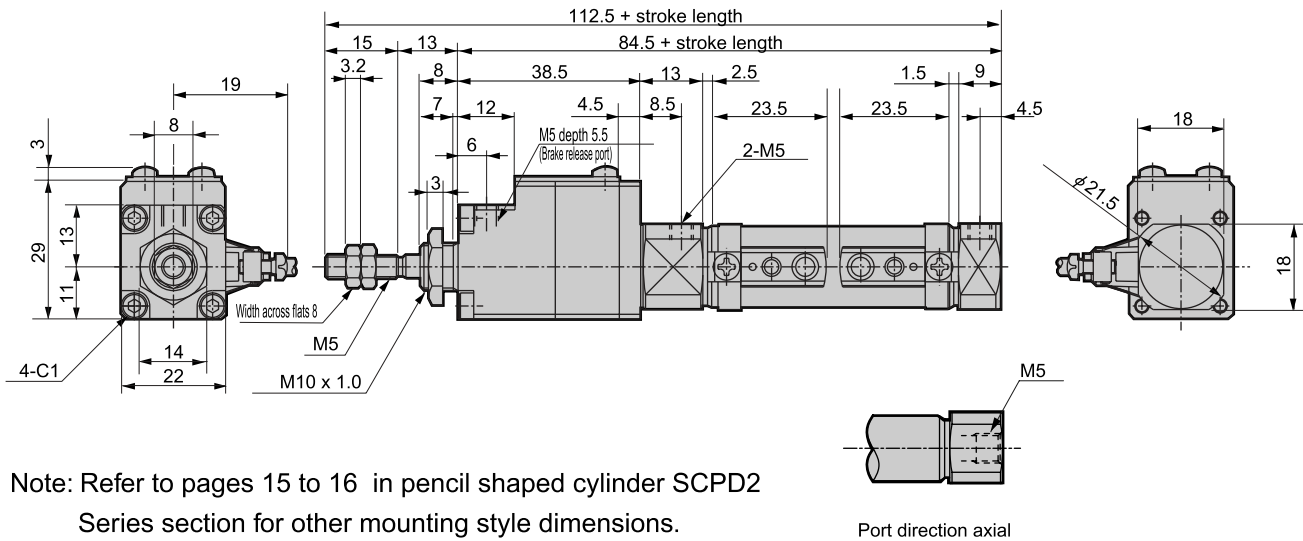


Dimensions



● ULKP-*-00-16



Note: Refer to pages 15 to 16 in pencil shaped cylinder SCPD2 Series section for other mounting style dimensions.

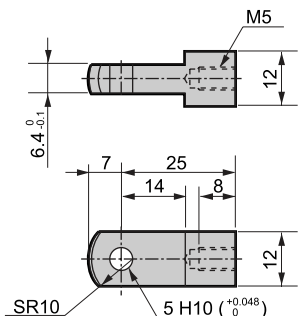
Port direction axial

Accessory dimensions



● Rod eye (I)

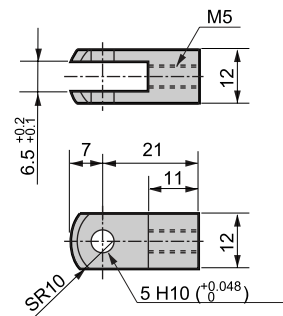
Model no.: P2-I-16



Material: Steel
Weight: 21g

● Rod clevis (Y)

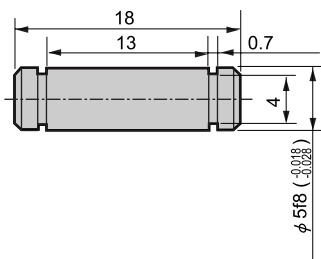
Model no.: P2-Y-16



Material: Steel
Weight: 20g

● Pin for rod eye/clevis

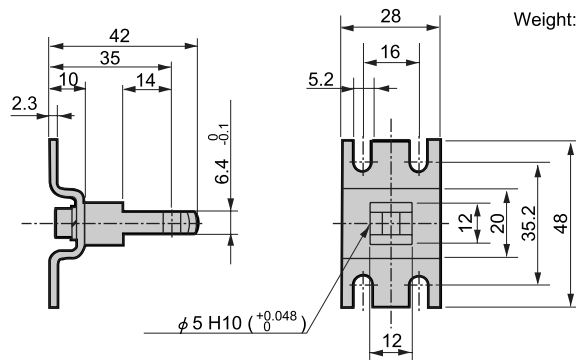
Model no.: P2-P-16



Material: Stainless steel
Weight: 3.0g

● Eye bracket (B1)

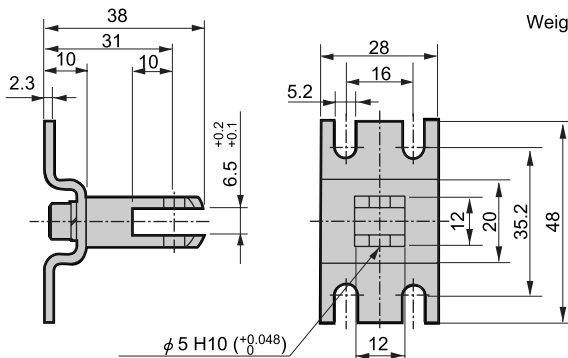
Model no.: P2-B1-16



Material: Steel
Weight: 48g

● Clevis bracket (B2)

Model no.: P2-B2-16



Material: Steel
Weight: 44g

SCP*2
CMK2
CMA2
SCM
SCG
SCA2
SCS
CKV2
CA/OV2
SSD
CAT
MDC2
MVC
SMD2
MSD*
FC*
STK
ULK*
JSK/M2
JSG
JSC3
USSD
USC
JSB3
LMB
STG
STS/L
LCS
LCG
LCM
LCT
LCY
STR2
UCA2
HCM
HCA
SRL2
SRG
SRM
SRT
MRL2
MRG2
SM-25
CAC3
UCAC
RCC2
MFC
SHC
GLC
Ending

Brake cylinder
With brake