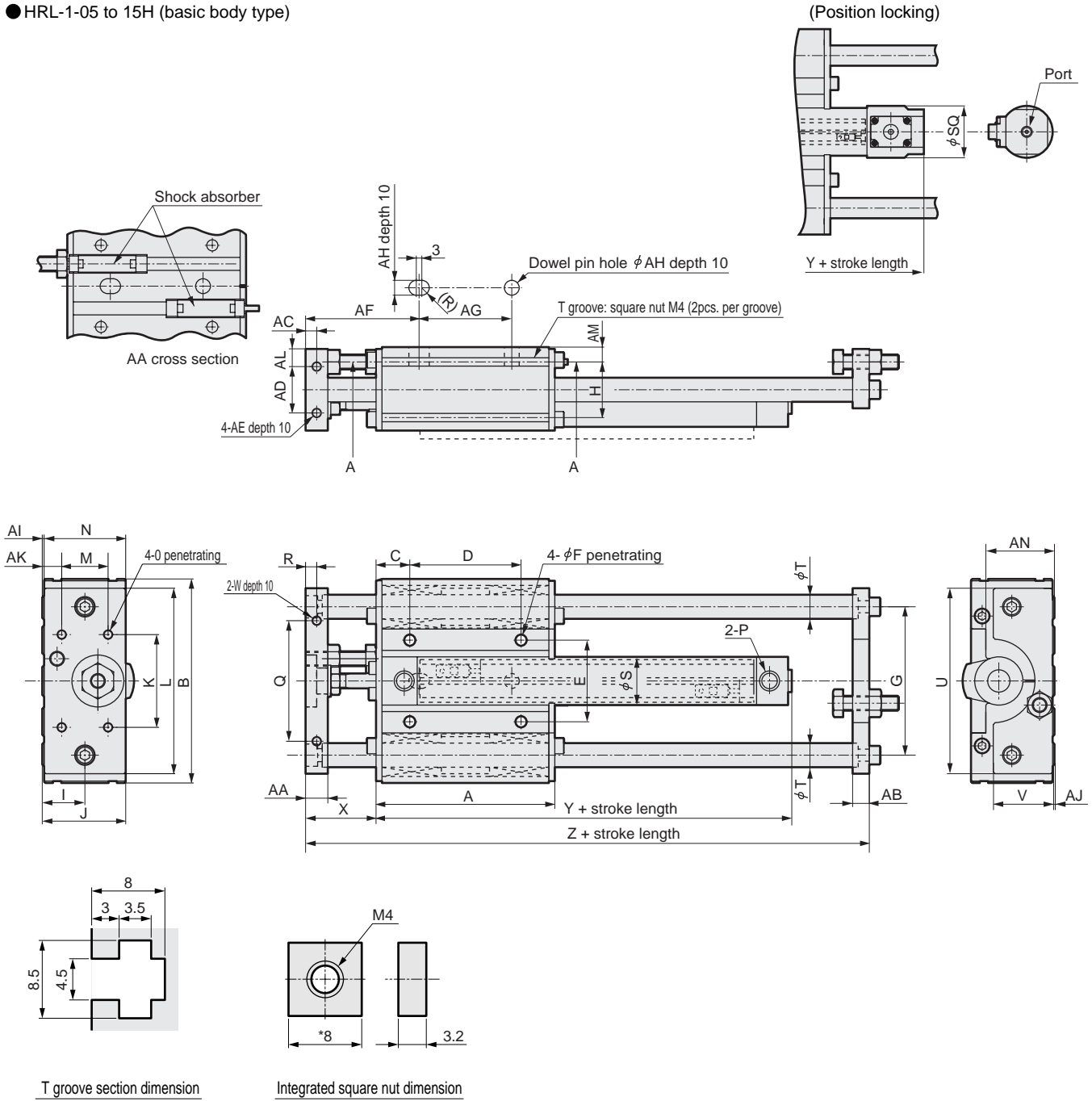


HRL-1 Series

Dimensions

● HRL-1-05 to 15H (basic body type)



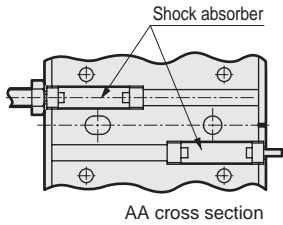
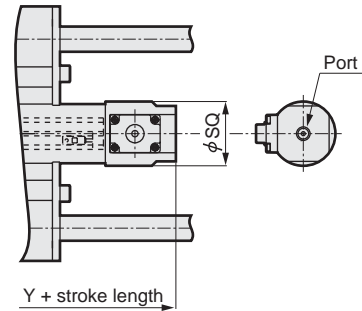
Model no.	Stroke range (mm)	A	AA	AB	AC	AD	AE	AF	AG	AH	AI	AJ	AK	AL	AM	AN	B	C	D	E	F	
HRL-1-05	50, 75																110			44	6	
-10	100, 125	96.4	12	9	6	25	M5	61.2	50	$8^{+0.03}_0$	1	1	10.5	9.5	8	37		18.2	60			
-15	150, 200																130			52	7	
-15H	250, 300																					
Model no.	G	H	I	J	K	L	M	N	O	P	Q	R	S	SQ	T	U	V	W	X	Y		Z
HRL-1-05					50	100					65			26	30							
-10	80													31	35	13	100	32			74.2	94.2
-15		30	23	45			25	44	M5	Rc1/8	6							M5	38			154
-15H	94				60	120					75			38	38.1	16	120	38			76.2	96.2
															20							

Dimensions

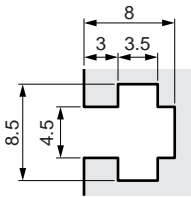
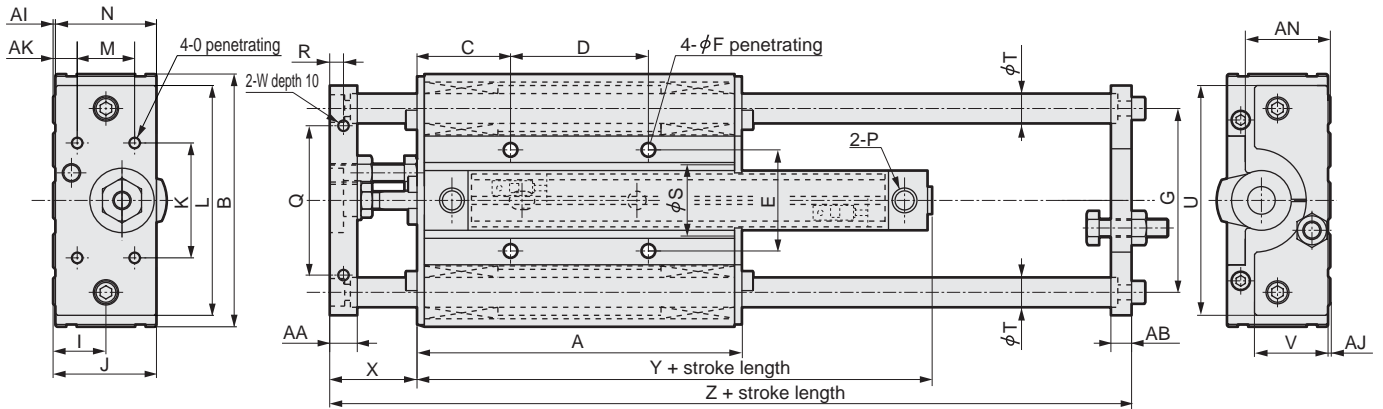
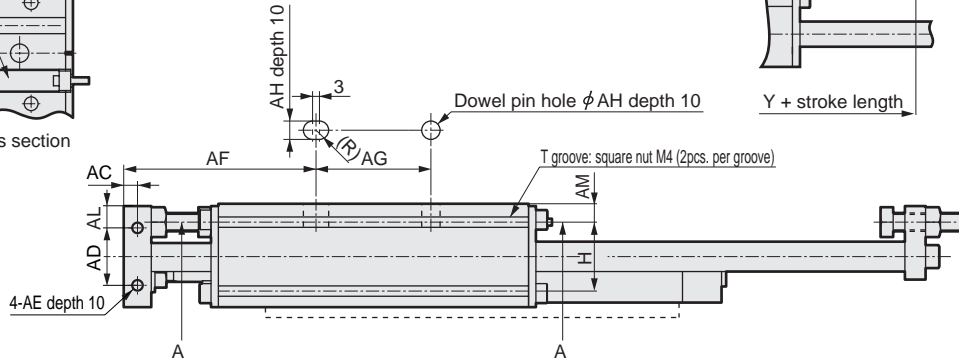


● HRL-1L-05 to 15H (long body type)

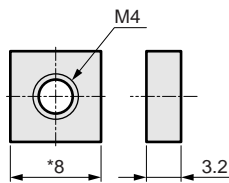
(Position locking)



AA cross section



T groove section dimension



Integrated square nut dimension

Model no.	Stroke range (mm)	A	AA	AB	AC	AD	AE	AF	AG	AH	AI	AJ	AK	AL	AM	AN	B	C	D	E	F
HRL-1L-05	350, 400	141.4						83.7									110	40.7		44	6
-10	450, 500		12	9	6	25	M5		50	8 ^{+0.03} ₀	1	1	10.5	9.5	8	37			60		
-15	550, 600	151.4						88.7									130	45.7		52	7
-15H																					

Model no.	G	H	I	J	K	L	M	N	O	P	Q	R	S	SQ	T	U	V	W	X	Y		Z	
																				W/o position locking	W position locking		
HRL-1L-05	80				50	100					65			26	30	13	100	32			74.2	94.2	199
-10		30	23	45			25	44	M5	Rc1/8		6		31	35				M5	38			
-15					60	120					75			38	38.1	16	120	38			76.2	96.2	209
-15H	94														20								

- RRC
- GRC
- RV3*
- NHS**
- HR**
- LN
- FH100
- HAP
- BSA2
- BHA/BHG
- LHA
- LHAG
- HKP
- HLA/HLB
- HLAG/HLBG
- HEP
- HCP
- HMF
- HMFB
- HFP
- HLC
- HGP
- FH500
- HLB
- HDL
- HMD
- HJL
- BHE
- CKG
- CK
- CKA
- CKS
- CKF
- CKJ
- CKL2
- CKL2 *-HC
- CKH2
- CKLB2
- NCK/SCK/FCK
- FJ
- FK

Ending

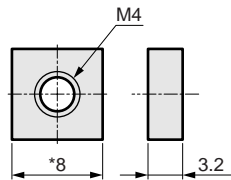
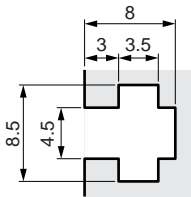
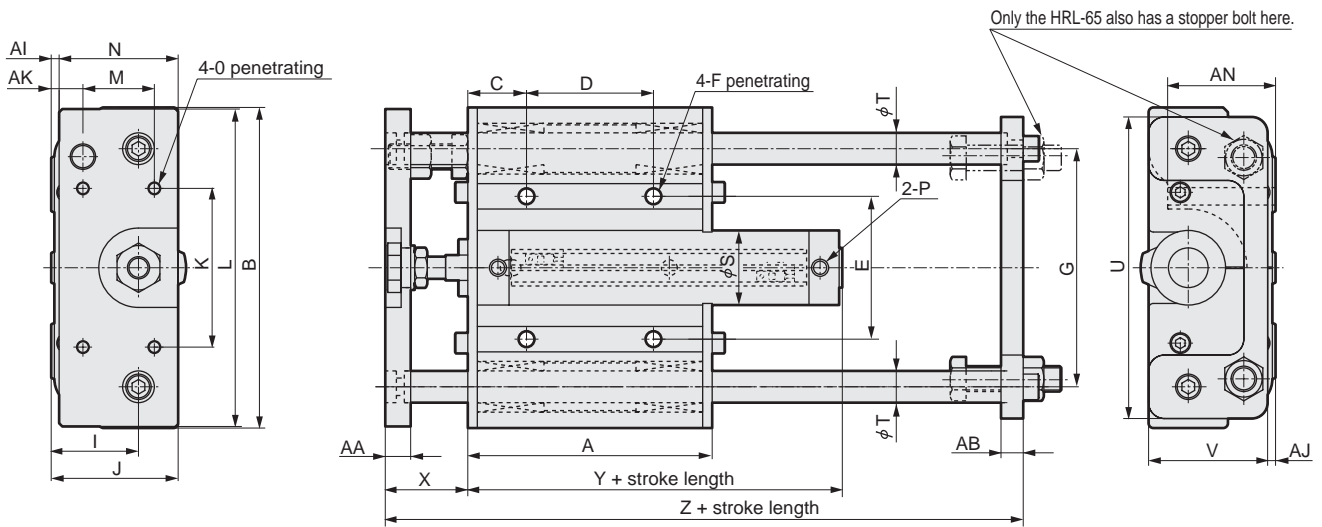
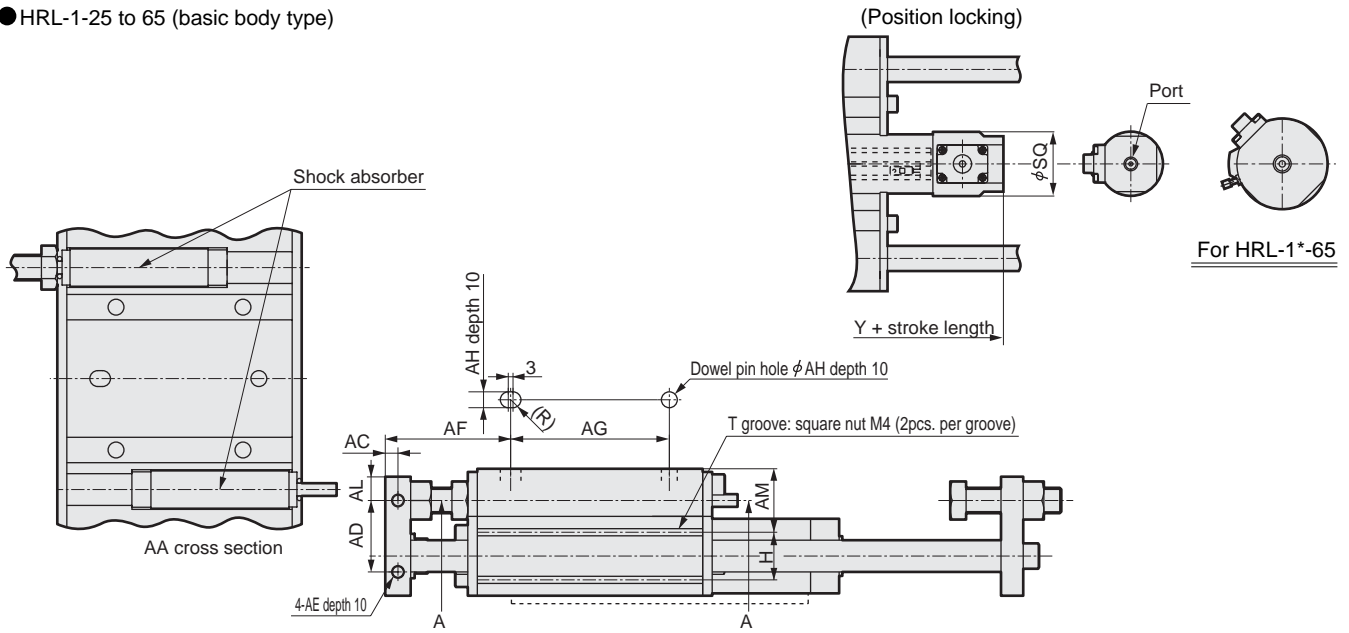
Hybrid robot
Modular unit

HRL-1 Series

Dimensions

- RRC
- GRC
- RV3*
- NHS**
- HR**
- LN
- FH100
- HAP
- BSA2
- BHA/BHG
- LHA
- LHAG
- HKP
- HLA/HLB
- HLAG/HLBG
- HEP
- HCP
- HMF
- HMFB
- HFP
- HLC
- HGP
- FH500
- HBL
- HDL
- HMD
- HJL
- BHE
- CKG
- CK
- CKA
- CKS
- CKF
- CKJ
- CKL2
- CKL2 *-HC
- CKH2
- CKLB2
- NCK/SCK/FCK
- FJ
- FK

● HRL-1-25 to 65 (basic body type)



T groove section dimension

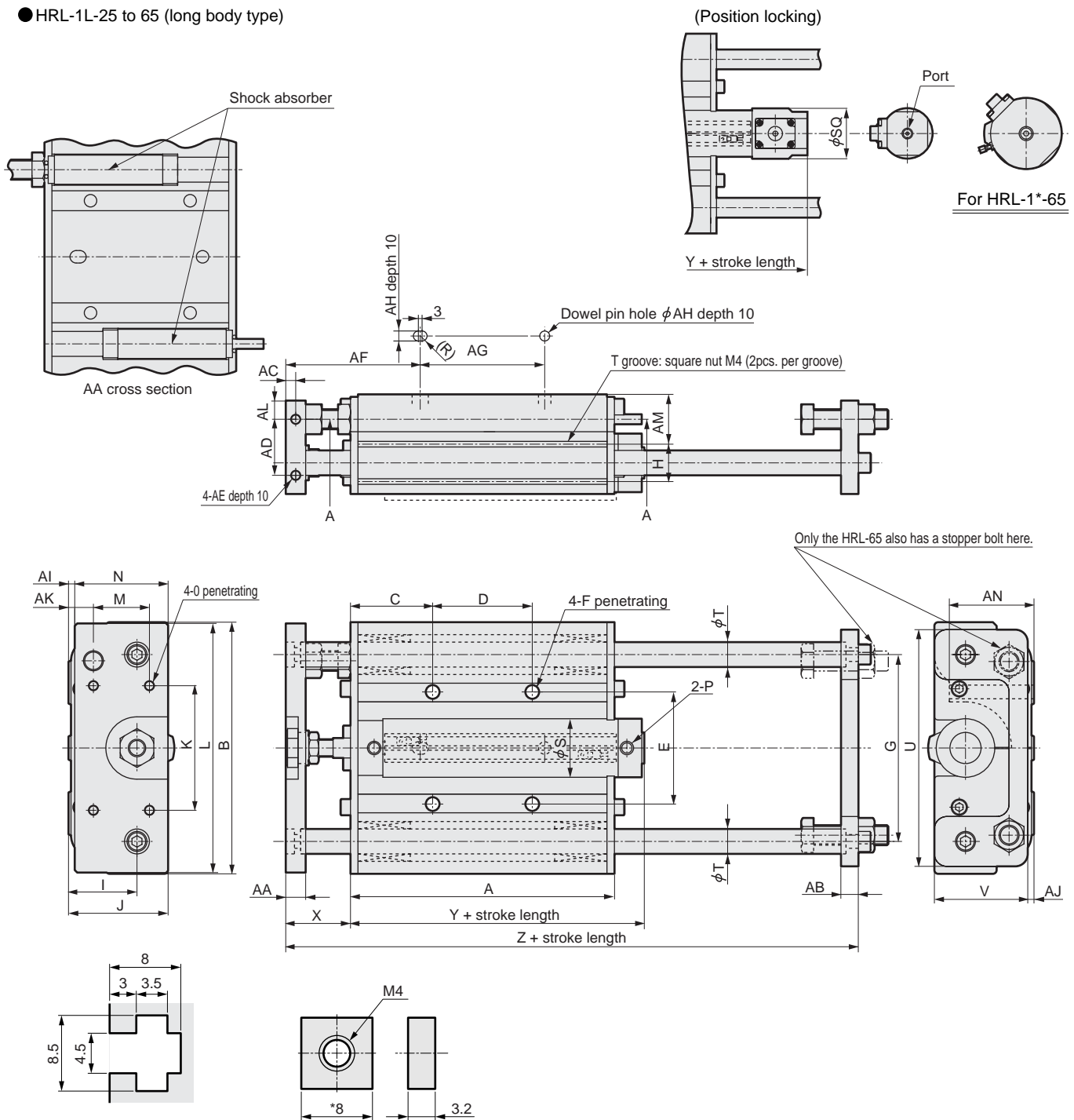
Integrated square nut dimension

Model no.	Stroke range (mm)	A	AA	AB	AC	AD	AE	AF	AG	AH	AI	AJ	AK	AL	AM	AN	B	C	D		
HRL-1-25	50, 75, 100		16		8			79													
-50	125, 150, 200	154	19	14	9.5	45	M8	82	100	$10^{+0.03}_0$	5	5	20	15	40	68	202	37	80		
-65	250, 300											2									
Model no.	E	F	G	H	I	J	K	L	M	N	O	P	S	SQ	T	U	V	X	Y		Z
HRL-1-25																			W/o position locking	W/ position locking	
-50	90	11	150	30	55	80	100	200	45	75	M8	Rc1/8	47	51	20		75	52	86	121	252
-65						92						Rc1/4	58	60	25	190	78	55	98	138	255

Dimensions



● HRL-1L-25 to 65 (long body type)



T groove section dimension

Integrated square nut dimension

Model no.	Stroke range (mm)	A	AA	AB	AC	AD	AE	AF	AG	AH	AI	AJ	AK	AL	AM	AN	B	C	D			
HRL-1L-25	350, 400		16		8			108														
-50	450, 500	212	19	14	9.5	45	M8	111	100	10 ^{+0.03} ₀	5	5	20	15	40	68	202	66	80			
-65	550, 600											2										
Model no.	E	F	G	H	I	J	K	L	M	N	O	P	S	SQ	T	U	V	X	Y		Z	
HRL-1L-25						80		100	200	45	75	M8	Rc1/8	47	51	20		75	52	86	121	310
-50	90	11	150	30	55								Rc1/4	58	60	25	190	75	55	98	138	313
-65						92								72	72.1	30		78				

- RRC
- GRC
- RV3*
- NHS**
- HR**
- LN
- FH100
- HAP
- BSA2
- BHA/BHG
- LHA
- LHAG
- HKP
- HLA/HLB
- HLAG/HLBG
- HEP
- HCP
- HMF
- HMFB
- HFP
- HLC
- HGP
- FH500
- HLB
- HDL
- HMD
- HJL
- BHE
- CKG
- CK
- CKA
- CKS
- CKF
- CKJ
- CKL2
- CKL2 *-HC
- CKH2
- CKLB2
- NCK/SCK/FCK
- FJ
- FK

Ending

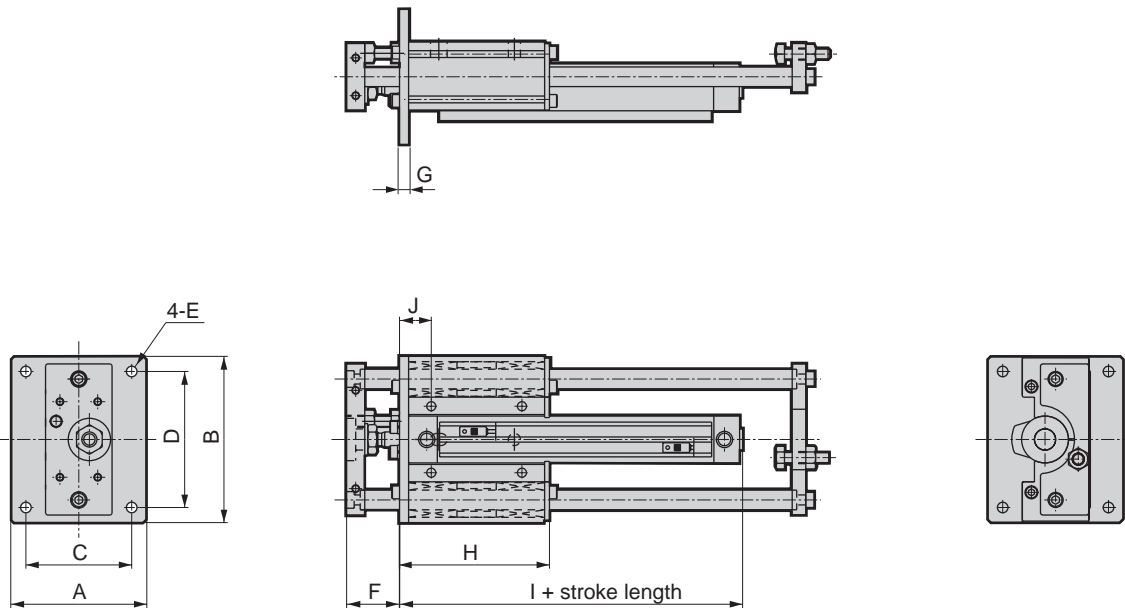
Hybrid robot
Modular unit

HRL-1 Series

Dimensions



● Front flanged



* Other dimensions are the same as basic type.

Model no.	A	B	C	D	E	F	G	H		I	J	
								Basic type	Long body type		Basic type	Long body type
HRL-1*F-05	90	110	70	90	7	35	6	99.2	144.2	77	21	43.5
-10		130		100								48.5
CKG			-15H	110								170
CKA	-25	200	110	170	11	49	12	160	218	104	43	72
CKS	-50											
CKF	-65											

- RRC
- GRC
- RV3*
- NHS
- HR**
- LN
- FH100
- HAP
- BSA2
- BHA/BHG
- LHA
- LHAG
- HKP
- HLA/HLB
- HLAG/HLBG
- HEP
- HCP
- HMF
- HMFB
- HFP
- HLC
- HGP
- FH500
- HBL
- HDL
- HMD
- HJL
- BHE
- CKG
- CK
- CKA
- CKS
- CKF
- CKJ
- CKL2
- CKL2-*HC
- CKH2
- CKLB2
- NCK/SCK/FCK
- FJ
- FK
- Ending