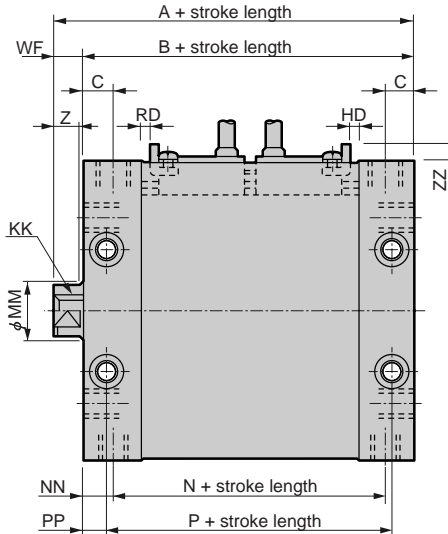
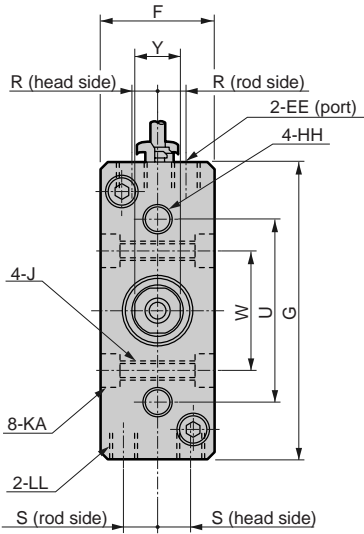
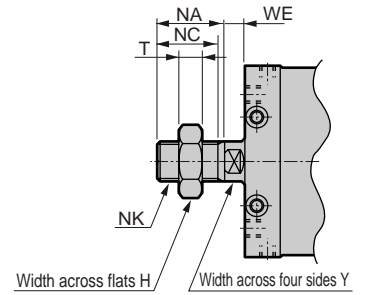


Dimensions

● FCD-L (double acting with switch)



● Rod end male thread dimensions (Option symbol N)

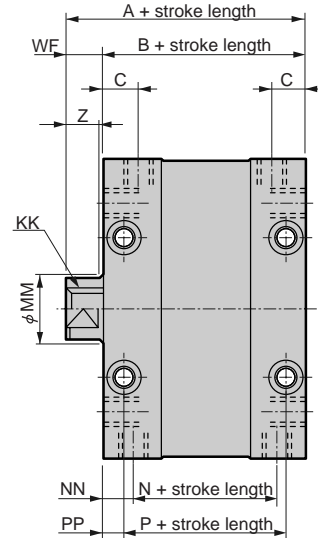
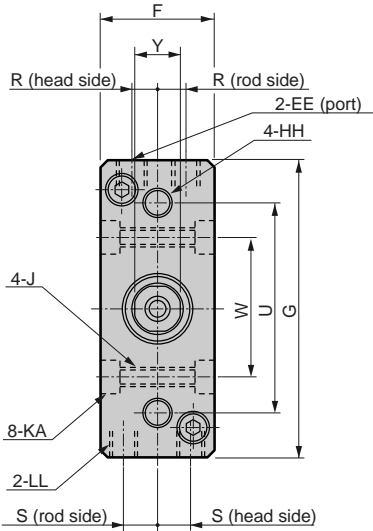


Note 1: This drawing indicates FCD-L-40.

Note 2: When installing 2 switches on the surface, more than 35 mm stroke is required for 25 to 50 mm bore cylinders, while 30 mm stroke is required for 63 mm bore cylinder. When shorter than these length, switches installed on the both ends.

Note 3: Position of width across four sides of Y part is not constant.

● FCD (without switch)



Note 1: This drawing indicates FCD-40.

Note 2: Position of width across four sides of Y part is not constant.

Symbol	Dimensions, without switch				Dimensions, with switch				Common dimensions							
	A	B	N	P	A	B	N	P	C	EE	F	G	HH	J	KA	
φ 25 or equivalent	37	32	20	24	52	47	35	39	7.5	M5 depth 4	25	55	M5 depth 7	M5 (penetrating)	-	
φ 32 or equivalent	40	33	21	25	55	48	36	40	7.5	M5 depth 4	28	65	M6 depth 8	M5 (penetrating)	-	
φ 40 or equivalent	49	41	25	29	64	56	40	44	8.5	Rc1/8	32	83	M8 depth 10	M6 (penetrating)	9.5 spot face depth	5.4
φ 50 or equivalent	55.5	46	29	27	70.5	61	44	42	10.5	Rc1/8	39	101	M10 depth 12	M8 (penetrating)	11 spot face depth	6.5
φ 63 or equivalent	66.5	57	37	37	81.5	72	52	52	11.5	Rc1/4	49	125	M12 depth 15	M12 (penetrating)	17.5 spot face depth	10.5

Symbol	Common dimensions, with switches															
	KK	LL	MM	NN	PP	R	S	U	W	WF	ZZ	RD	HD	Y	Z	
φ 25 or equivalent	M5 depth 9	M5 depth 7	12	6	4	4.7	7	38	24	5	5.5 or less	0	0	10	5	
φ 32 or equivalent	M6 depth 11	M6 depth 8	16	6	4	6.2	8	45	30	7	5.5 or less	0	0	14	7	
φ 40 or equivalent	M8 depth 13	M8 depth 10	16	8	6	7.5	9	52	34	8	5.5 or less	0	0	14	7	
φ 50 or equivalent	M8 depth 13	M10 depth 12	20	8.5	9.5	9	10	62	40	9.5	5.5 or less	0	0.5	17	8	
φ 63 or equivalent	M10 depth 15	M12 depth 18	20	10	10	10.5	14	86	54	9.5	5.5 or less	0	4.5	17	8	

● Rod end male thread dimensions table

Symbol	H	NA	NC	NK	T	WE
φ 25 or equivalent	17	22	20	M10 x 1.25	6	5
φ 32 or equivalent	22	22	20	M14 x 1.5	8	7
φ 40 or equivalent	22	22	20	M14 x 1.5	8	7
φ 50 or equivalent	27	28	26	M18 x 1.5	11	8
φ 63 or equivalent	27	28	26	M18 x 1.5	11	8

SCP*2
CMK2
CMA2
SCM
SCG
SCA2
SCS
CKV2
CA/OV2
SSD
CAT
MDC2
MVC
SMD2
MSD*
FC*
STK
ULK*
JSK/M2
JSG
JSC3
USSD
USC
JSB3
LMB
STG
STS/L
LCS
LCG
LCM
LCT
LCY
STR2
UCA2
HCM
HCA
SRL2
SRG
SRM
SRT
MRL2
MRG2
SM-25
CAC3
UCAC
RCC2
MFC
SHC
GLC
Ending

Flat and compact cylinder
Space saving structure