

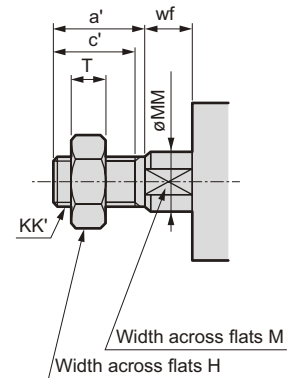
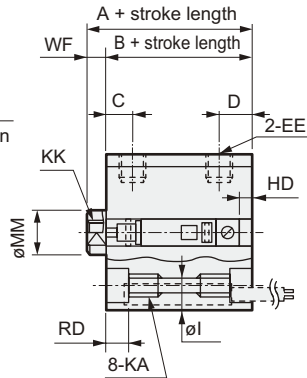
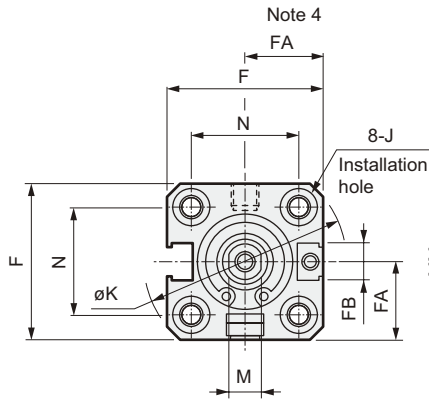
SSD2-K Series

Dimensions

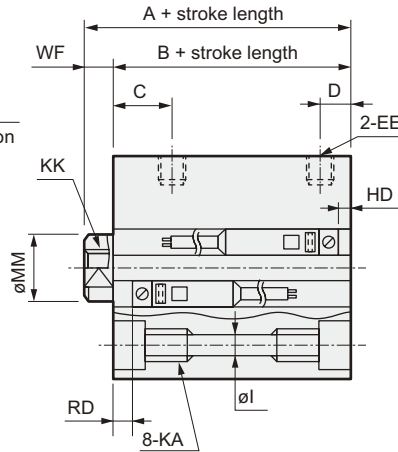
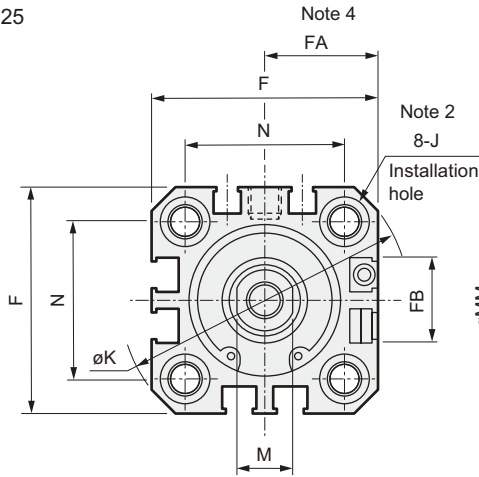
● SSD2-KL-12 to 25 (with switch)

● Rod end male thread

ø12, ø16



ø20, ø25



· Cautions on switch installation groove

Note 1: Only the F type switch is provided for the tube bore size ø20 and ø25 piping port surface.

Symbol	Type with switch and common dimensions																			
	A ^{Note 1}		B ^{Note 1}		C	D	EE	F	FA ^{Note 3}		FB	I	J	K	KA	KK	M	MM	N	WF
ø12	30.5	27	5.5	5.5	M5	25	13 (16.5)	4.5	3.5	6.5 spot face depth 3.5	32	M4 depth 7	M3 depth 6	5	6	15.5	3.5			
ø16	30.5	27	5.5	5.5	M5	29	15 (18.5)	4.5	3.5	6.5 spot face depth 3.5	38	M4 depth 7	M4 depth 8	6	8	20	3.5			
ø20	39	34.5	8	5.5	M5	36	18.5 (22)	12.5	5.5	9 spot face depth 5.5	47	M6 depth 11	M5 depth 7	8	10	25.5	4.5			
ø25	42.5	37.5	11	6	M5	40	20.5 (24)	13.5	5.5	9 spot face depth 5.5	51	M6 depth 11	M6 depth 12	10	12	28	5			
Switch dimension	Reed T0H/T0V, T5H/T5V				Proximity T2H/T2V, T3H/T3V				Proximity T2WH/T2WV, T3WH/T3WV				Proximity F2H/F2V, F3H/F3V, F2YH/F2YV, F3YH/F3YV							
	HD		RD		HD		RD		HD		RD		HD		RD					
ø12	4.5		3.5		4.5		3.5		6.5		5.5									
ø16	3		5		3		5		5		7									
ø20	6.5		9		6.5		9		8.5		11		11		13.5					
ø25	6		12.5		6		12.5		8		14.5		10.5		17					

Note 1: When calculating A + and B + stroke dimensions for the custom stroke, do not set the custom stroke in the stroke. Instead, set the next longer standard stroke.

Example: If the custom stroke is 7 mm, calculate including standard stroke 10 mm.

Note 2: Refer to page 92 for HD and RD dimensions of the 2 color indicator type, off-delay type, strong magnetic field proof type, and T1* or T8* switch.

Note 3: Refer to page 92 for projection dimensions of the 2 color indicator type, off-delay type, strong magnetic field proof type, and T1* or T8* switch.

Note 4: Dimensions in () of FA are values for radial lead wire.

Note 5: Refer to pages 93 to 102 for dimension drawings with accessories and dimension drawings for discrete accessories.

● Rod end male thread dimensions table

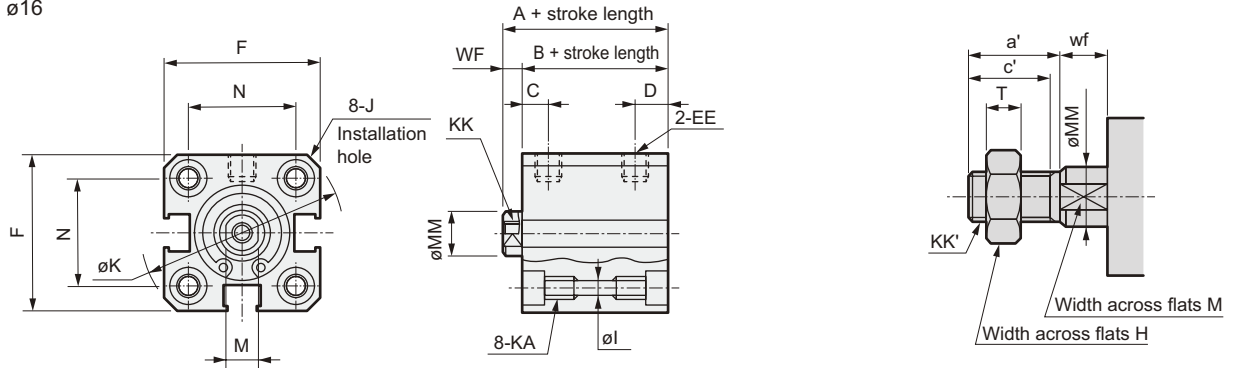
Symbol	a'	c'	H	kk'	M	MM	T	wf
ø12	10.5	9	8	M5	5	6	3.2	3.5
ø16	12	10	8	M6	6	8	3.6	3.5
ø20	14	12	13	M8	8	10	5	4.5
ø25	17.5	15	17	M10 x 1.25	10	12	6	5

Dimensions

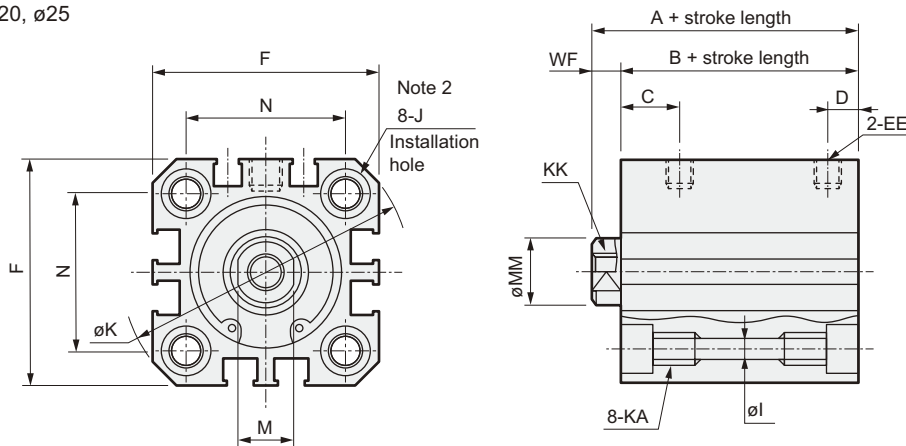
● SSD2-K-12 to 25 (without switch)

● Rod end male thread

ø12, ø16



ø20, ø25



Symbol	Type without switch and common dimensions														
Bore size (mm)	A ^{Note 1}	B ^{Note 1}	C	D	EE	F	I	J	K	KA	KK	M	MM	N	WF
ø12	25.5	22	5.5	5.5	M5	25	3.5	6.5 spot face depth 3.5	32	M4 depth 7	M3 depth 6	5	6	15.5	3.5
ø16	25.5	22	5.5	5.5	M5	29	3.5	6.5 spot face depth 3.5	38	M4 depth 7	M4 depth 8	6	8	20	3.5
ø20	29	24.5	8	5.5	M5	36	5.5	9 spot face depth 5.5	47	M6 depth 11	M5 depth 7	8	10	25.5	4.5
ø25	32.5	27.5	11	6	M5	40	5.5	9 spot face depth 5.5	51	M6 depth 11	M6 depth 12	10	12	28	5

Note 1: When calculating A + and B + stroke dimensions for the custom stroke, do not set the custom stroke in the stroke. Instead, set the next longer standard stroke.

Example: If the custom stroke is 7 mm, calculate including standard stroke 10 mm.

Note 2: Refer to pages 93 to 102 for dimension drawings with accessories and dimension drawings for discrete accessories.

● Rod end male thread dimensions table

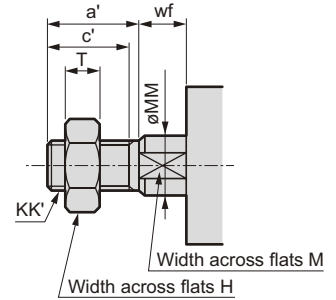
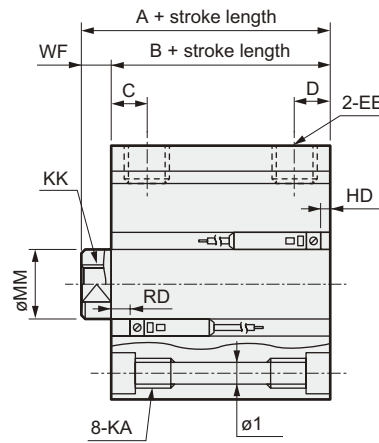
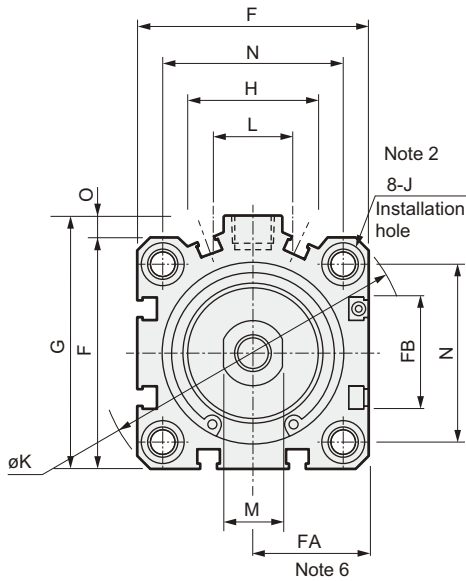
Symbol	a'	c'	H	kk'	M	MM	T	wf
ø12	10.5	9	8	M5	5	6	3.2	3.5
ø16	12	10	8	M6	6	8	3.6	3.5
ø20	14	12	13	M8	8	10	5	4.5
ø25	17.5	15	17	M10 x 1.25	10	12	6	5

SSD2-K Series

Dimensions

● SSD2-KL-32 to 100 (with switch)

● Rod end male thread



Symbol	Type with switch and common dimensions																				
Bore size (mm)	A ^{Note 1}	B ^{Note 1}	C	D	EE	F	FA ^{Note 5}	FB	G	H	I	J	K	KA	KK	L	M	MM	N	O	WF
ø32	50	43	8	8	Rc1/8	45	23 (26.5)	20.5	49.5	24	5.5	9 spot face depth 5.5	60	M6 depth 11	M8 depth 13	10	14	16	34	4.5	7
ø40	56.5	49.5	12	8.5	Rc1/8	52	26.5 (30)	27.5	57	24	5.5	9 spot face depth 5.5	69	M6 depth 11	M8 depth 13	10	14	16	40	5	7
ø50	58.5	50.5	10.5	10.5	Rc1/4	64	32.5 (36)	28.5	71	33	6.9	11 spot face depth 5.5	86	M8 depth 13	M10 depth 15	15	17	20	50	7	8
ø63	64	56	13	11	Rc1/4	77	39 (42.5)	28.5	84	33	8.7	14 spot face depth 6.5	103	M10 depth 25	M10 depth 15	15	17	20	60	7	8
ø80	73.5	63.5	16	13	Rc3/8	98	49.5 (53)	28.5	104	38	10.5	17.5 spot face depth 11	132	M12 depth 28	M16 depth 21	15	22	25	77	6	10
ø100	85	73	23	15	Rc3/8	117	59 (62.5)	28.5	123.5	38	10.5	17.5 spot face depth 11	156	M12 depth 28	M20 depth 27	15	27	30	94	6.5	12
Switch dimension	Reed T0H/T0V, T5H/T5V				Proximity T2H/T2V, T3H/T3V				Proximity T2WH/T2WV, T3WH/T3WV												
Bore size (mm)	HD		RD		HD		RD		HD		RD										
ø32	9		15		9		15		11		17										
ø40	9.5		19.5		9.5		19.5		11		21										
ø50	10		20		10		20		11.5		21.5										
ø63	17.5		18		17.5		18		19		19.5										
ø80	22		20.5		22.5		20.5		24		22										
ø100	28		24.5		28		24.5		29.5		26										

Note 1: When calculating A + and B + stroke dimensions for the custom stroke, do not set the custom stroke in the stroke. Instead, set the next longer standard stroke. Example: If the custom stroke is 7 mm, calculate including standard stroke 10 mm.

Note 2: HD and RD dimensions for 5 stroke differ from these due to manufacturing.

Note 3: Refer to page 92 for HD and RD dimensions of the 2 color indicator type, off-delay type, strong magnetic field proof type, and T1* or T8* switch.

Note 4: Refer to page 92 for projection dimensions of the 2 color indicator type, off-delay type, strong magnetic field proof type, and T1* or T8* switch.

Note 5: Dimensions in () of FA are values for radial lead wire.

Note 6: Refer to pages 93 to 102 for dimension drawings with accessories and dimension drawings for discrete accessories.

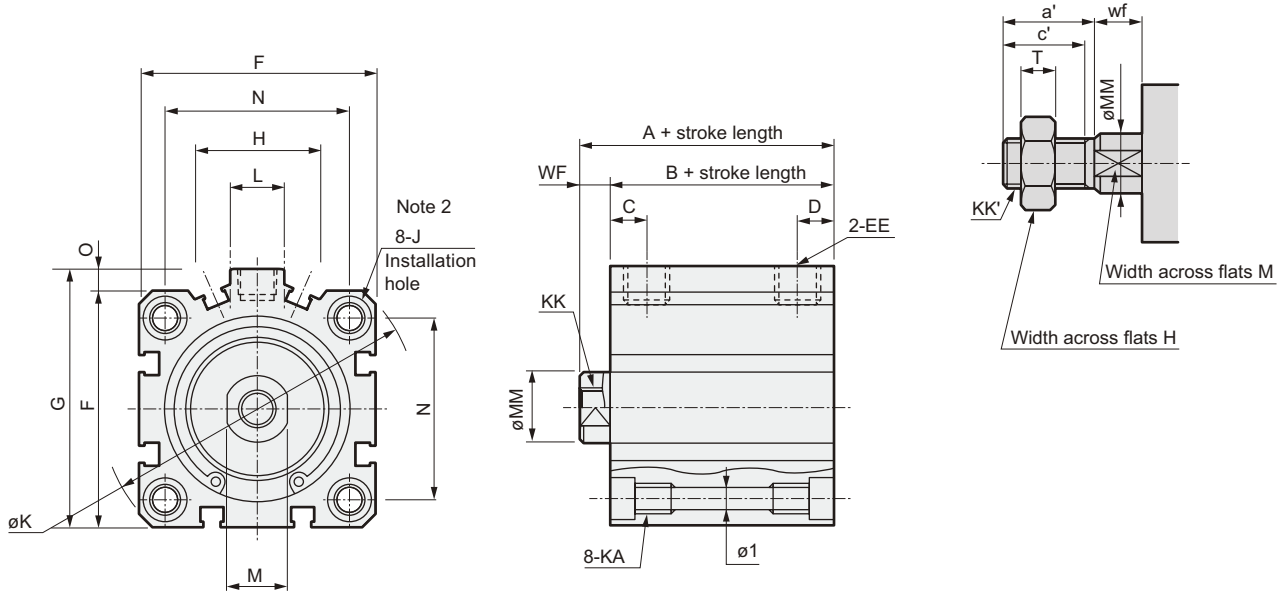
● Rod end male thread dimensions table

Symbol	a'	c'	H	kk'	M	MM	T	wf
ø32	23.5	20.5	22	M14 x 1.5	14	16	8	5
ø40	23.5	20.5	22	M14 x 1.5	14	16	8	5
ø50	28.5	26	27	M18 x 1.5	17	20	11	5
ø63	28.5	26	27	M18 x 1.5	17	20	11	5
ø80	35.5	32.5	32	M22 x 1.5	22	25	13	8
ø100	35.5	32.5	41	M26 x 1.5	27	30	16	8

Dimensions

● SSD2-K-32 to 100 (without switch)

● Rod end male thread



Symbol Bore size (mm)	Type without switch and common dimensions																		
	A Note 1, Note 3	B Note 1, Note 3	C	D	EE	F	G	H	I	J	K	KA	KK	L	M	MM	N	O	WF
ø32	40 (50)	33 (43)	8	8	Rc1/8	45	49.5	24	5.5	9 spot face depth 5.5	60	M6 depth 11	M8 depth 13	10	14	16	34	4.5	7
ø40	46.5 (56.5)	39.5 (49.5)	12	8.5	Rc1/8	52	57	24	5.5	9 spot face depth 5.5	69	M6 depth 11	M8 depth 13	10	14	16	40	5	7
ø50	48.5 (58.5)	40.5 (50.5)	10.5	10.5	Rc1/4	64	71	33	6.9	11 spot face depth 6.5	86	M8 depth 13	M10 depth 15	15	17	20	50	7	8
ø63	54 (64)	46 (56)	13	11	Rc1/4	77	84	33	8.7	14 spot face depth 9	103	M10 depth 25	M10 depth 15	15	17	20	60	7	8
ø80	63.5 (73.5)	53.5 (63.5)	16	13	Rc3/8	98	104	38	10.5	17.5 spot face depth 11	132	M12 depth 28	M16 depth 21	15	22	25	77	6	10
ø100	75 (85)	63 (73)	23	15	Rc3/8	117	123.5	38	10.5	17.5 spot face depth 11	156	M12 depth 28	M20 depth 27	15	27	30	94	6.5	12

Note 1: When calculating A + and B + stroke dimensions for the custom stroke, do not set the custom stroke in the stroke. Instead, set the next longer standard stroke. Example: If the custom stroke is 7 mm, calculate including standard stroke 10 mm.

Note 2: Refer to pages 93 to 102 for dimension drawings with accessories and dimension drawings for discrete accessories.

Note 3: Values in () for symbols A and B are for when 50 strokes is exceeded.

● Rod end male thread dimensions table

Symbol Bore size (mm)	a'	c'	H	kk'	M	MM	T	wf
ø32	23.5	20.5	22	M14 x 1.5	14	16	8	5
ø40	23.5	20.5	22	M14 x 1.5	14	16	8	5
ø50	28.5	26	27	M18 x 1.5	17	20	11	5
ø63	28.5	26	27	M18 x 1.5	17	20	11	5
ø80	35.5	32.5	32	M22 x 1.5	22	25	13	8
ø100	35.5	32.5	41	M26 x 1.5	27	30	16	8