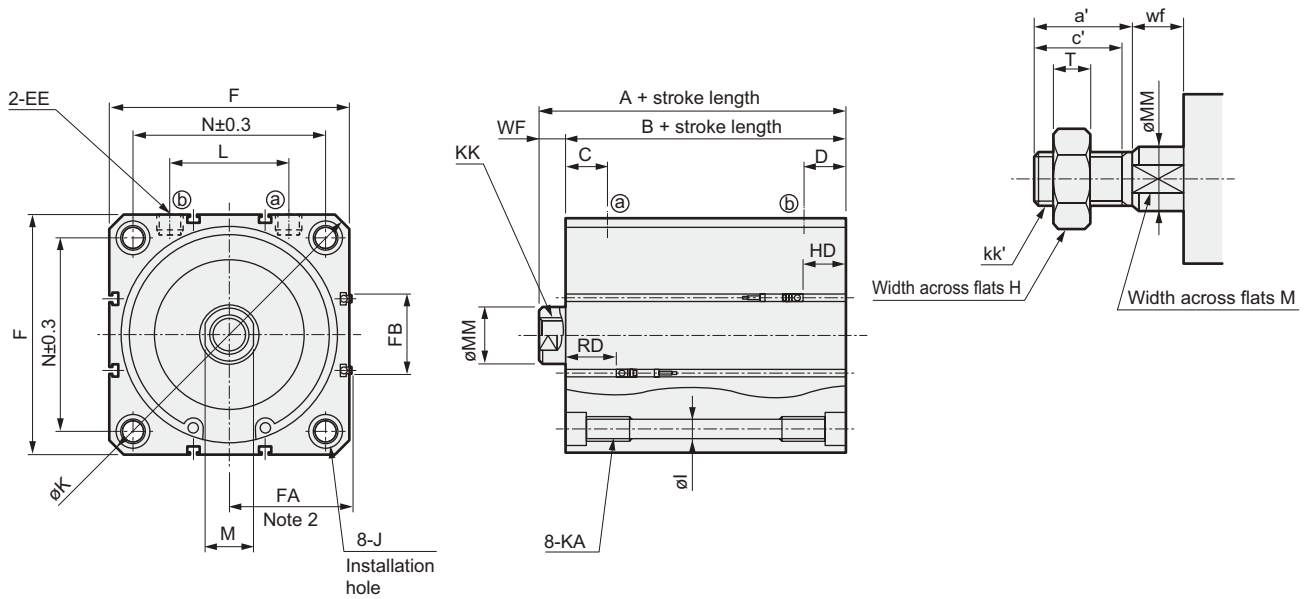


SSD2 (large bore size) Series

Dimensions (ø125 to ø160)

● SSD2-(L)-125 to 160(double acting single rod type)

● Rod end male thread



| Symbol | Type with switch and common dimensions | | | | | | | | | | | | | | | |
|----------------|--|----|------|------|-------|-----|------|-------------------------|-----|--------------|--------------|----|----|----|-----|----|
| Bore size (mm) | A | B | C | D | EE | F | I | J | K | KA | KK | L | M | MM | N | WF |
| ø125 | 99 | 83 | 29 | 29 | Rc3/8 | 142 | 12.5 | 20 spot face depth 13 | 190 | M14 depth 25 | M22 depth 30 | 72 | 30 | 35 | 114 | 16 |
| ø140 | 99 | 83 | 27.5 | 27.5 | Rc3/8 | 158 | 12.5 | 20 spot face depth 13 | 210 | M14 depth 25 | M22 depth 30 | 80 | 30 | 35 | 128 | 16 |
| ø160 | 108 | 91 | 30 | 30 | Rc3/8 | 178 | 14.5 | 23 spot face depth 15.2 | 238 | M16 depth 28 | M24 depth 33 | 90 | 36 | 40 | 144 | 17 |

| Symbol | T0H/V, T2H/V, T3H/V, T5/V | | | | T2YH/V, T3YH/V, T2JH/V | | | | T1H/V, T2YD | | | | T2WH/V, T3WH/V | | | | T8H/V | | | |
|----------------|---------------------------|------|-----------|------|------------------------|------|---------|----|-------------|------|---------------|----|----------------|------|-----------|------|-------|------|---------|----|
| Bore size (mm) | HD | RD | FA | FB | HD | RD | FA | FB | HD | RD | FA | FB | HD | RD | FA | FB | HD | RD | FA | FB |
| ø125 | 30 | 35 | 71.5 (75) | 44.5 | 28.5 | 33.5 | 77 (80) | 48 | 28.5 | 33.5 | 82.5 (85.5) | 48 | 31.5 | 36.5 | 71.5 (75) | 44.5 | 24 | 29 | 77 (80) | 48 |
| ø140 | 31.5 | 33.5 | 79.5 (83) | 44.5 | 30 | 32 | 85 (88) | 48 | 30 | 32 | 90.5 (93.5) | 48 | 33 | 35 | 79.5 (83) | 44.5 | 25.5 | 27.5 | 85 (88) | 48 |
| ø160 | 34 | 39 | 89.5 (93) | 48.5 | 32.5 | 37.5 | 95 (98) | 52 | 32.5 | 37.5 | 100.5 (103.5) | 52 | 35.5 | 40.5 | 89.5 (93) | 48.5 | 28 | 33 | 95 (98) | 52 |

Note 1: Dimensions shown in () of FA are for a dimension of radial lead wire.

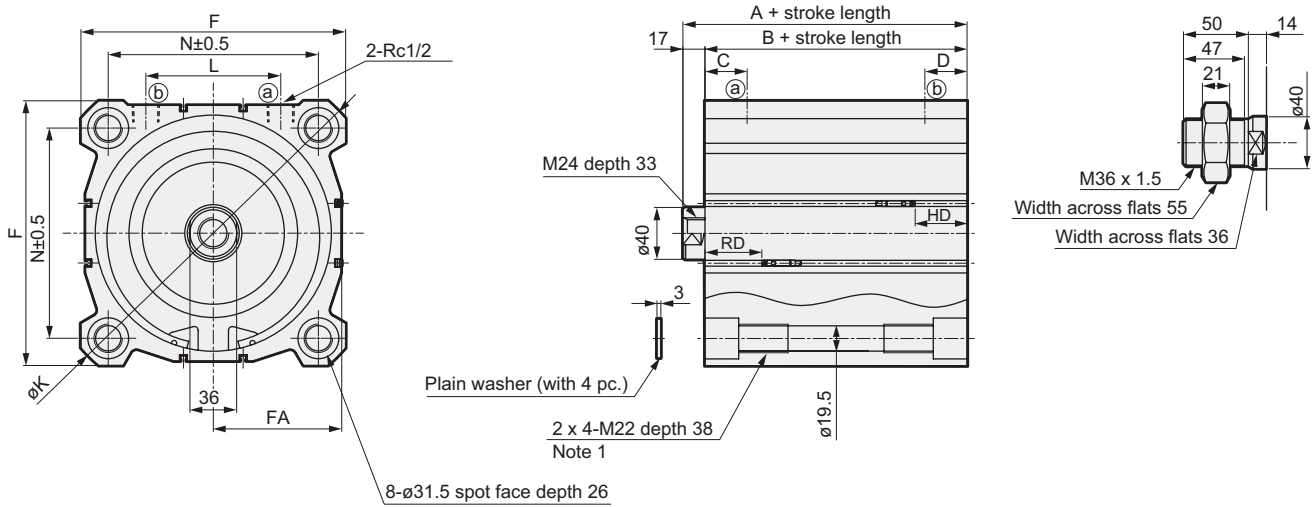
Rod end male thread dimensions table

| Symbol | a' | c' | H | kk' | M | MM | T | wf |
|--------|----|----|----|-----------|----|----|----|----|
| ø125 | 45 | 42 | 46 | M30 x 1.5 | 30 | 35 | 18 | 13 |
| ø140 | 45 | 42 | 46 | M30 x 1.5 | 30 | 35 | 18 | 13 |
| ø160 | 50 | 47 | 55 | M36 x 1.5 | 36 | 40 | 21 | 14 |

Dimensions (ø180, ø200)

● SSD2-(L)-180, 200 (double acting single rod type)

● Rod end male thread



Note 1: 2 x 4-M22 through applies to 20 strokes or less.

Note 2: 2-M24 depth 27 (180 diameter) or 2-M24 depth 29 (200 diameter) is used for 10 strokes.

| Symbol | A | B | C | D | F | K | L | N | | | | | | | |
|----------------|----------------------------|------|-------------|------------------------|------|---------------|-------------|------|---------------|----------------|------|-------------|-------|------|---------------|
| Bore size (mm) | | | | | | | | | | | | | | | |
| ø180 | 119 | 102 | 32.5 | 32.5 | 204 | 270 | 104 | 162 | | | | | | | |
| ø200 | 126 | 109 | 33.5 | 33.5 | 226 | 300 | 110 | 182 | | | | | | | |
| Symbol | T0H/V, T2H/V, T3H/V, T5H/V | | | T2YH/V, T3YH/V, T2JH/V | | | T1H/V, T2YD | | | T2WH/V, T3WH/V | | | T8H/V | | |
| Bore size (mm) | HD | RD | FA | HD | RD | FA | HD | RD | FA | HD | RD | FA | HD | RD | FA |
| ø180 | 39.5 | 43.5 | 99 (102.5) | 38.5 | 42.5 | 104.5 (107.5) | 38.5 | 42.5 | 110 (113) | 41.5 | 45.5 | 99 (102.5) | 33.5 | 37.5 | 104.5 (107.5) |
| ø200 | 44.5 | 45.5 | 109.5 (113) | 43.5 | 44.5 | 115 (118) | 43.5 | 44.5 | 120.5 (123.5) | 46.5 | 47.5 | 109.5 (113) | 38.5 | 39.5 | 115 (118) |

Note 1: Dimensions shown in () of FA are for a dimension of radial lead wire.