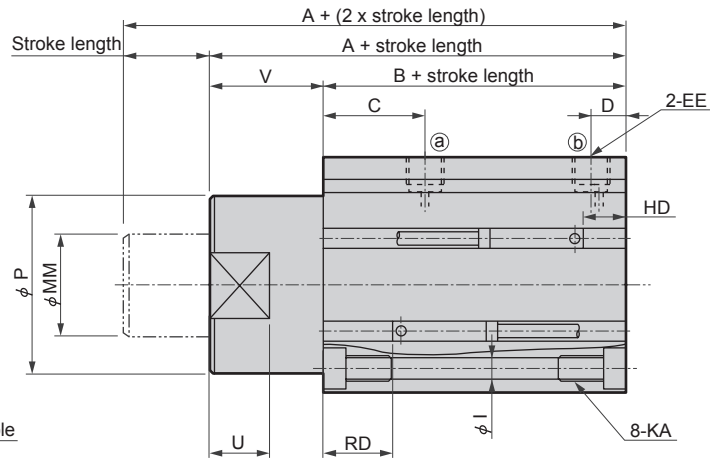
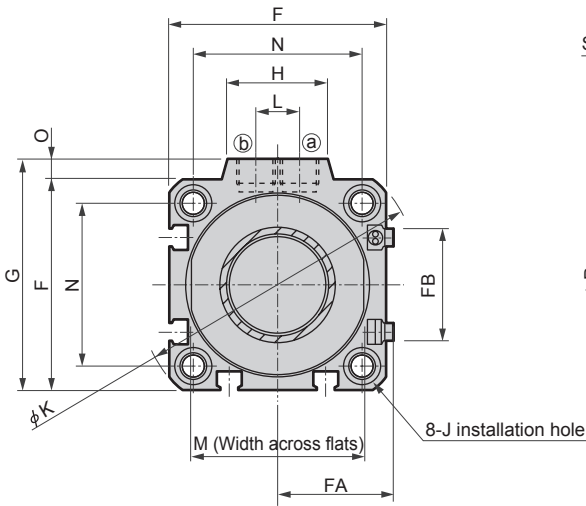


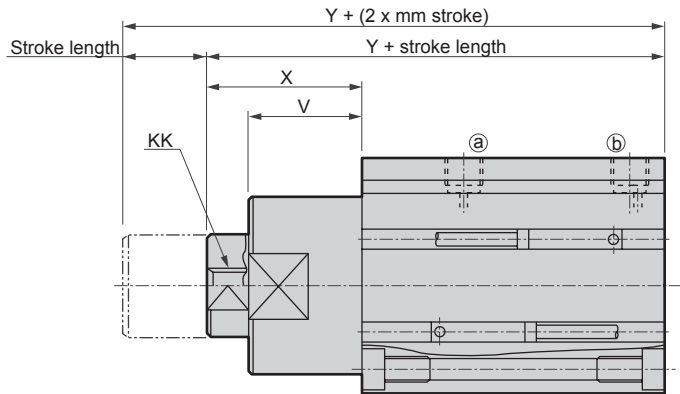
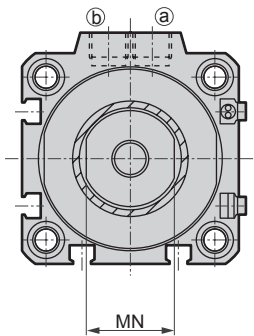
Dimensions



● STK-32/40/50



● STK-32/40/50-N11 (Dimensions other than listed are same as above (STK-32/40/50) dimensions.)



Symbol Bore size	A	B	C	D	EE	F	FA	FB	G	H	I	J	K	KA	KK	L	M	MM	MN	N	O	P	U	V	X	Y
φ 32	68	48	20	8	Rc1/8	45	23	20.5	49.5	24	5.5	9 spot face depth 5.5	60	M6 depth 11	M8 depth 13	10	32	20	17	34	4.5	36	13	20	30	78
φ 40	80.5	52.5	24.5	8.5	Rc1/8	52	26.5	27.5	57	24	5.5	9 spot face depth 5.5	69	M6 depth 11	M8 depth 13	10	41	25	22	40	5	44	15	28	38	90.5
φ 50	82	54	24.5	10.5	Rc1/4	64	32.5	28.5	71	33	6.9	11 spot face depth 6.5	86	M8 depth 13	M10 depth 15	15	50	30	27	50	7	56	15	28	43	97

Dimensions with switch				
Bore size	Reed T0H/T0V/T5H/T5V		Proximity T2H/T2V/T3H/T3V	
	HD	RD	HD	RD
φ 32	9.5	21	9	21
φ 40	10.5	24	10.5	24
φ 50	11.5	24	11.5	24

Note : Refer to page 1183 for the HD, RD, and projecting dimensions of the 2 color indication type, off delay type, T1*, T8* switch.

- SCP*2
- CMK2
- CMA2
- SCM
- SCG
- SCA2
- SCS
- CKV2
- CA/OV2
- SSD
- CAT
- MDC2
- MVC
- SMD2
- MSD*
- FC*
- STK**
- ULK*
- JSK/M2
- JSG
- JSC3
- USSD
- USC
- JSB3
- LMB
- STG
- STS/L
- LCS
- LCG
- LCM
- LCT
- LCY
- STR2
- UCA2
- HCM
- HCA
- SRL2
- SRG
- SRM
- SRT
- MRL2
- MRG2
- SM-25
- CAC3
- UCAC
- RCC2
- MFC
- SHC
- GLC

Ending

High rigid cylinder
Space saving structure