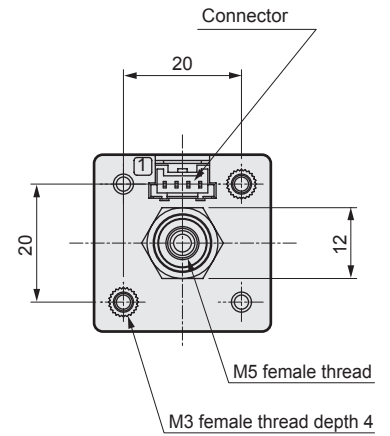
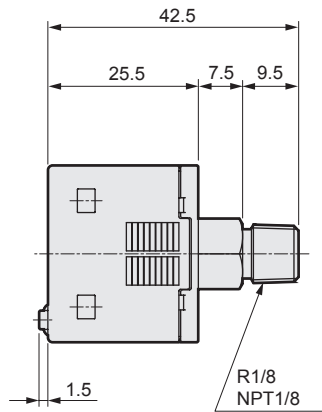
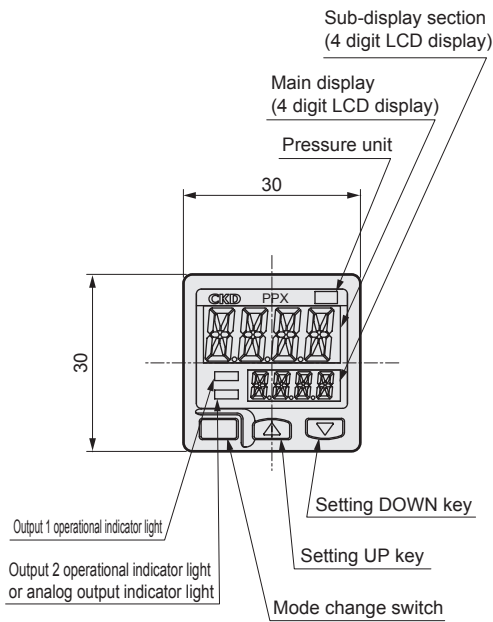
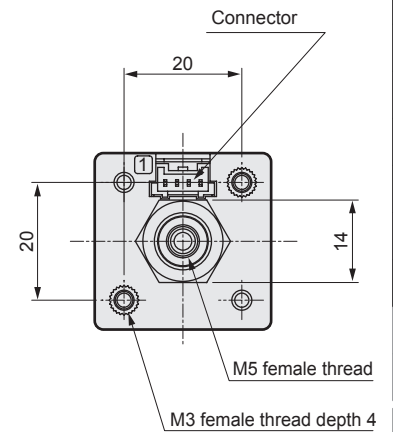
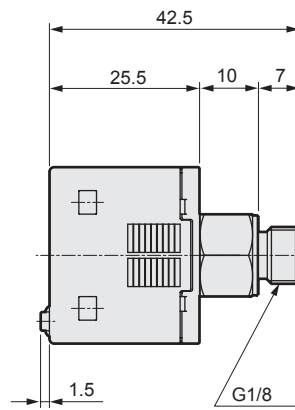
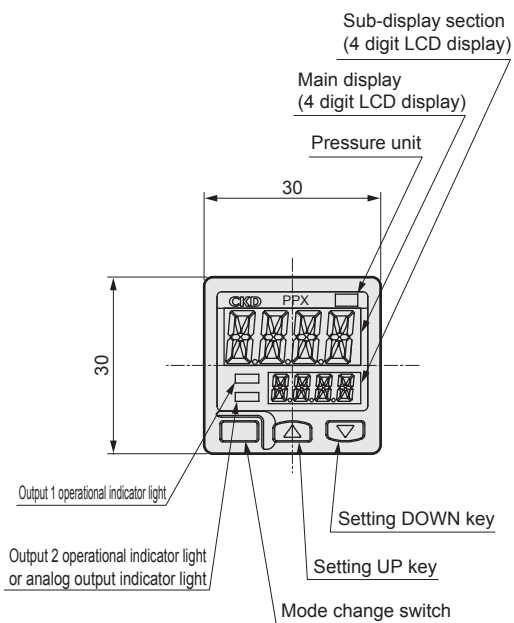


Dimensions

● PPX-R**-6M/6N (R/NPT thread)



● PPX-R**-6G (G thread)



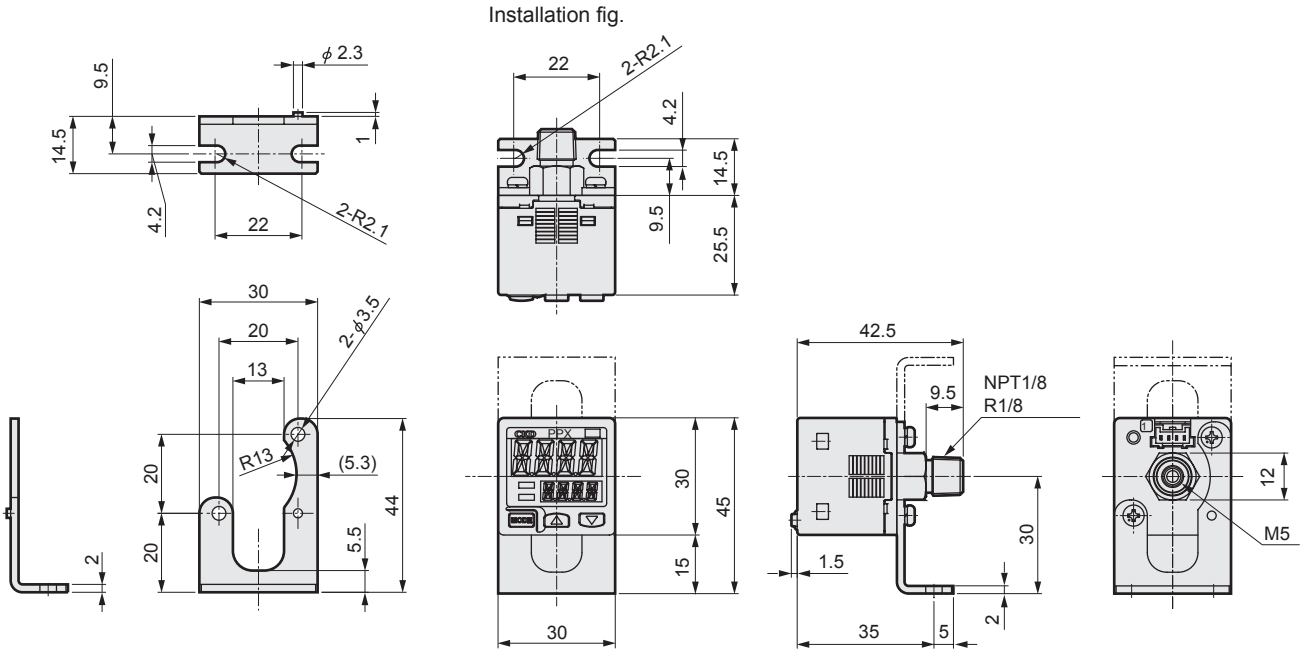
Refrigerating type dryer
Desiccant type dryer
High polymer membrane dryer
Air filter
Auto. drain / others
F.R.L. (Module unit)
F.R.L. (Separate)
Compact F.R.
Precise regulator
F.R.L. (Related products)
Clean F.R.
Electro pneumatic regulator
Air booster
Speed control valve
Silencer
Check valve / others
Joint / tube
Vacuum filter
Vacuum regulator
Suction plate
Magnetic spring buffer
Mechanical pressure SW
Electronic pressure SW
Contact / close contact conf. SW
Air sensor
Pressure SW for coolant
Small flow sensor
Small flow controller
Flow sensor for air
Flow sensor for water
Total air system
Total air system (Gamma)
Ending

With digital display
Pressure sensor

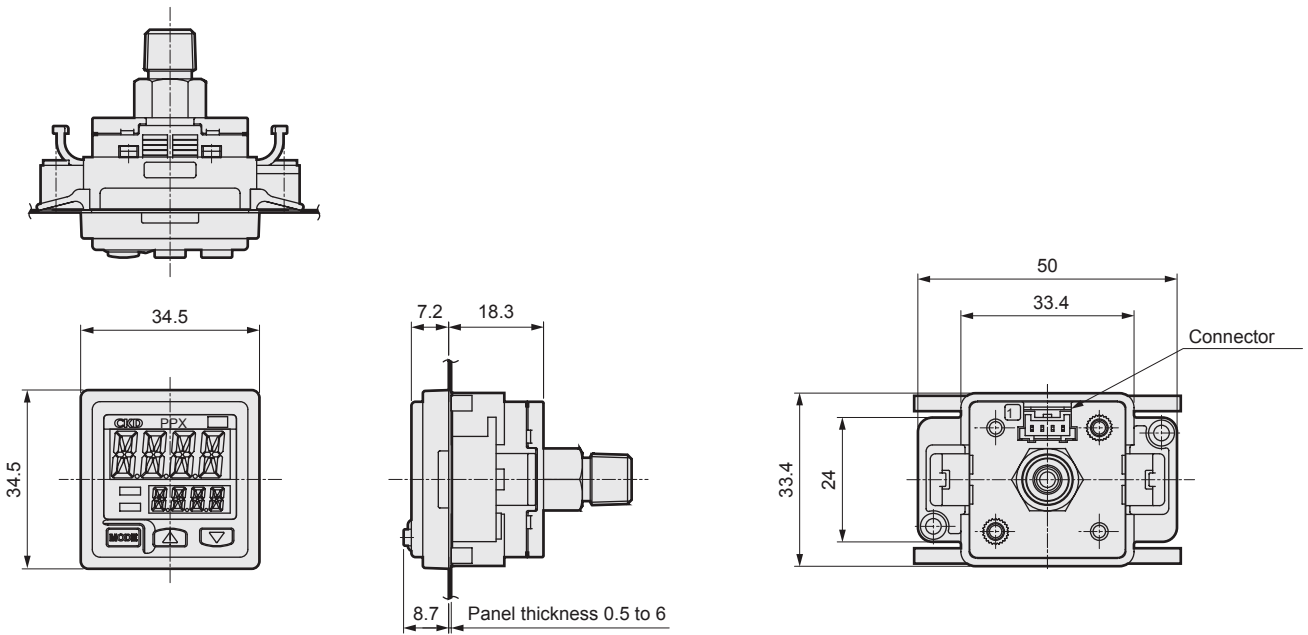
Dimensions with options



● Bracket (PPX-KL)

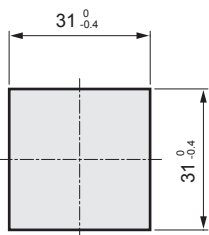


● Panel bracket (PPX-KHS) installation fig.

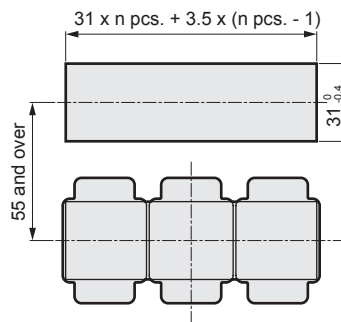


Panel cut dimension

Installing 1 pc.

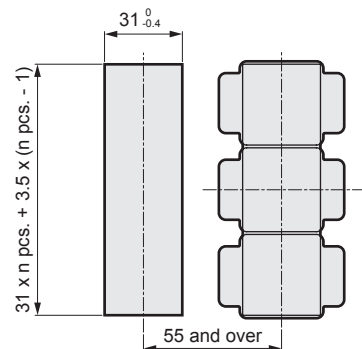


Installing consecutive n pcs. horizontally



(Note 1): Panel thickness must be 0.5 to 6mm.

Installing consecutive n pcs. vertically

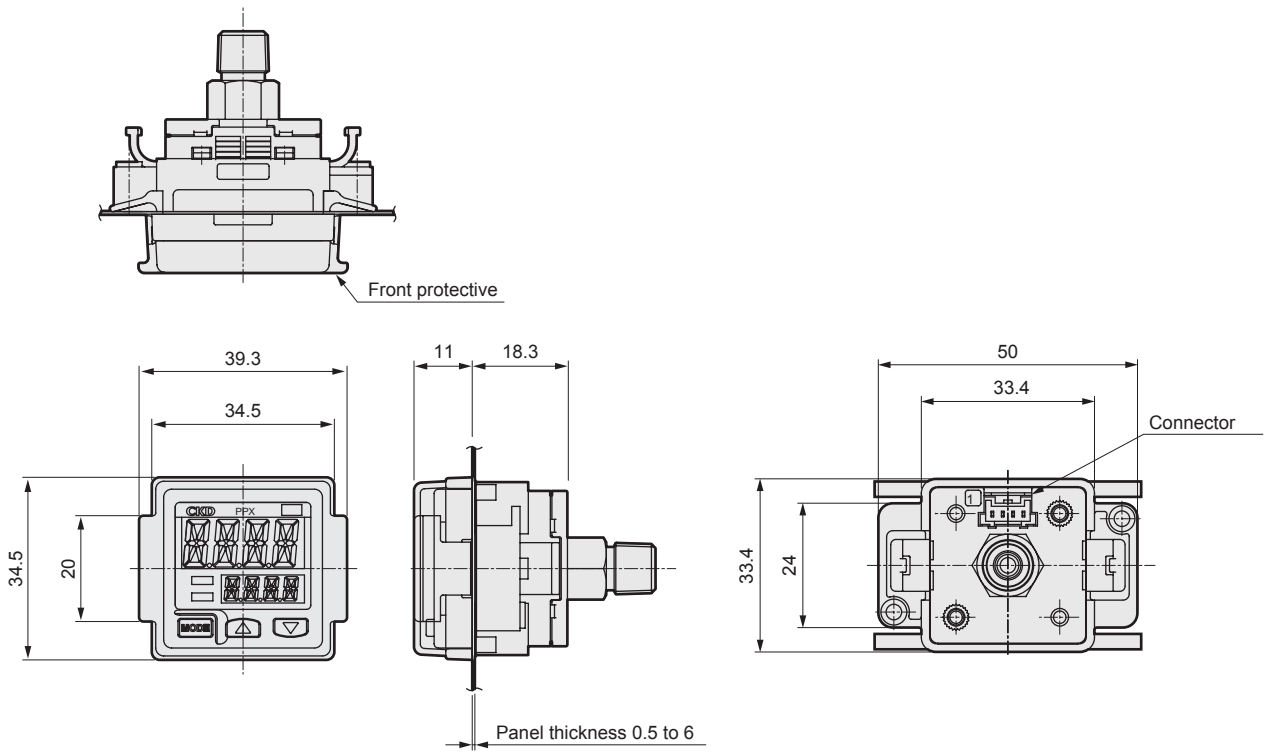


(Note 1): Panel thickness must be 0.5 to 6mm.

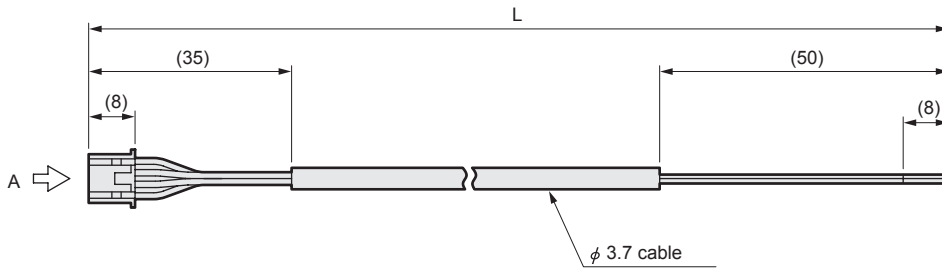
Dimensions with options



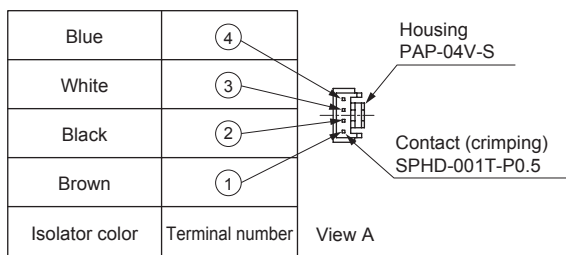
- Front protective cover (PPX-KCB) installation fig.



- Cable with connector (PPX-C*)



(JST MFG CO. LTD.)



Model no.	Cable length
PPX-C1	1m
PPX-C2	2m
PPX-C3	3m
PPX-C5	5m

- Connector set (PPX-CN)

- Housing: JST MFG CO. LTD. Corp. PAP-04V-S
- Contact: JST MFG CO. LTD. Corp. SPHD-001T-P0.5

Refrigerating type dryer
Desiccant type dryer
High polymer membrane dryer
Air filter
Auto. drain / others
F.R.L. (Module unit)
F.R.L. (Separate)
Compact F.R.
Precise regulator
F.R.L. (Related products)
Clean F.R.
Electro pneumatic regulator
Air booster
Speed control valve
Silencer
Check valve / others
Joint / tube
Vacuum filter
Vacuum regulator
Suction plate
Magnetic spring buffer
Mechanical pressure SW
Electronic pressure SW
Contact / close contact conf. SW
Air sensor
Pressure SW for coolant
Small flow sensor
Small flow controller
Flow sensor for air
Flow sensor for water
Total air system
Total air system (Gamma)

Ending

With digital display
Pressure sensor