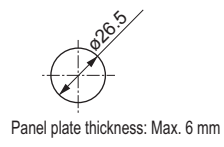
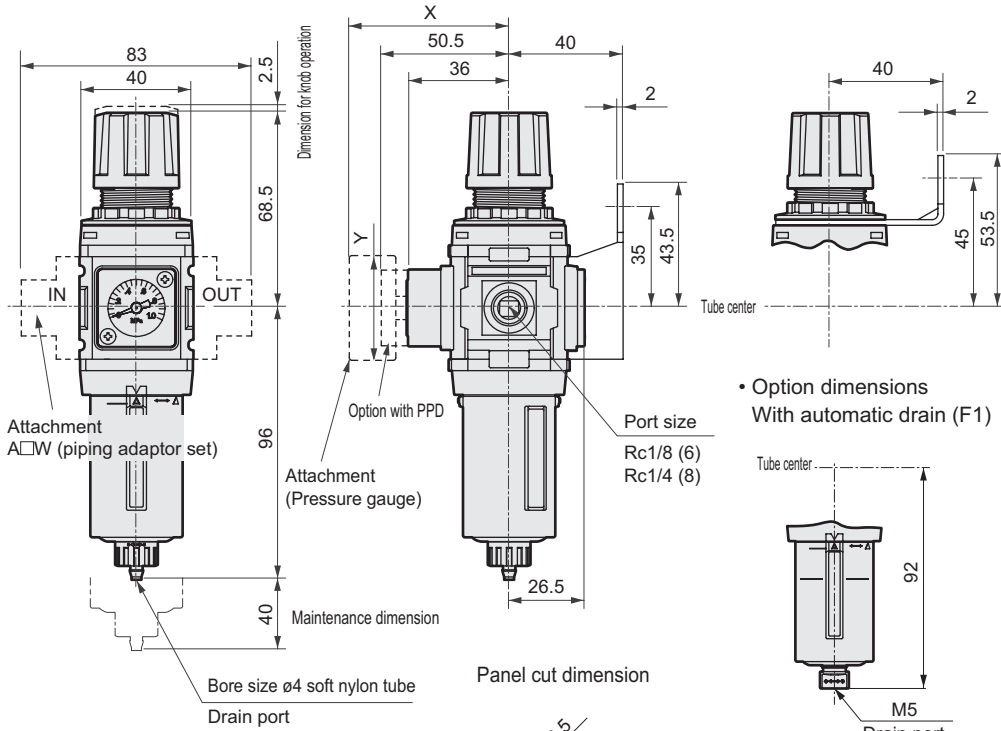


Filter/Regulator series

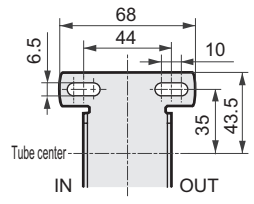
Dimensions



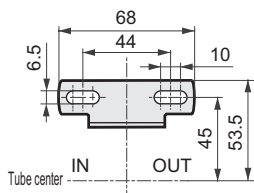
● W1000-W



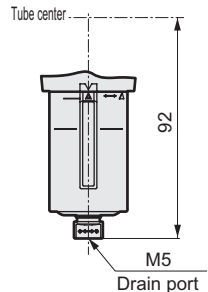
• Attachment
C type bracket (-BW)
Part model no.: B120



L type bracket (-B3W)
Part model no.: B130



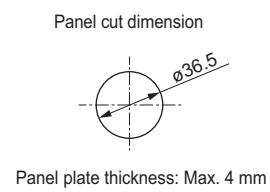
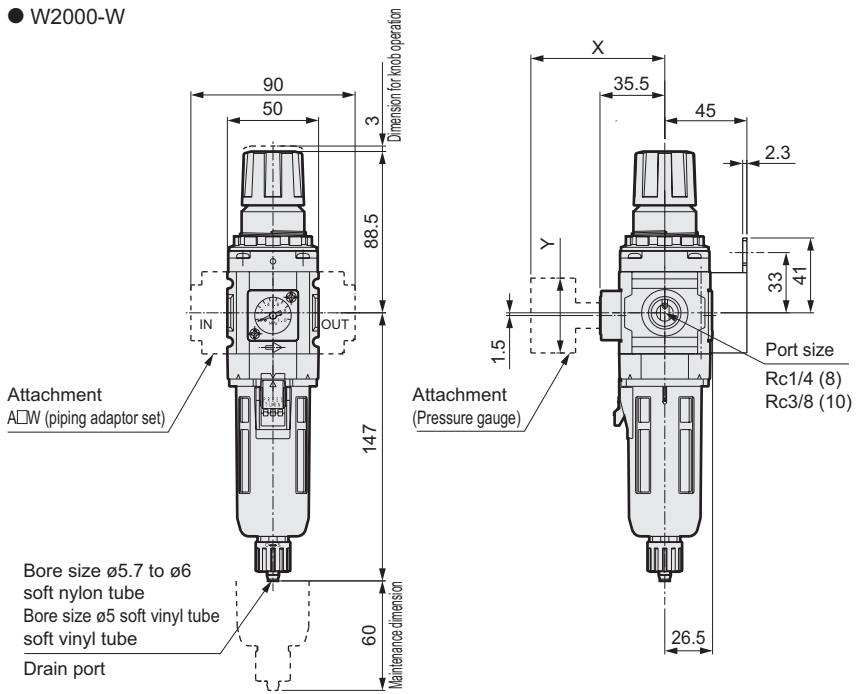
• Option dimensions
With automatic drain (F1)



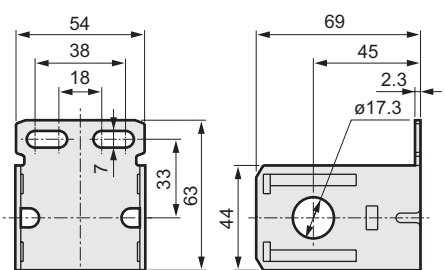
Pressure gauge attached optional dimensions table

Attached pressure gauge	X	Y
G45P	(74)	ø39
G49P	(73.5)	ø43.5
G59P	(76)	ø52
G40P	(75.5)	ø42.5
G50P	(75.5)	ø52.5
G41P	(74)	ø42
G52P	(86)	ø52.5
R2	(74)	□30

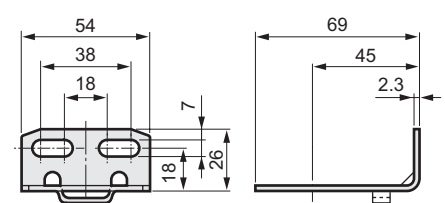
● W2000-W



• Attachment
C type bracket (-BW)
Part model no.: B220



L type bracket (-B3W)
Part model no.: B230

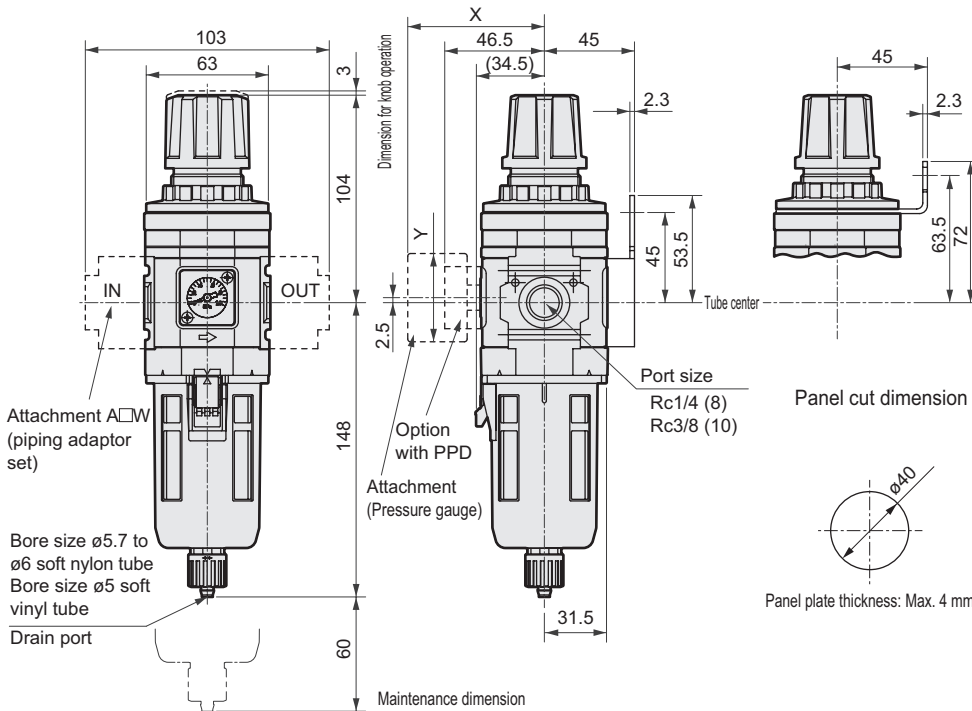


Pressure gauge attached optional dimensions table

Attached pressure gauge	X	Y
G45P	(73.5)	ø39
G49P	(73)	ø43.5
G40P	(75)	ø42.5
G41P	(73.5)	ø42
G52P	(85.5)	ø52.5
R2	(73)	□30

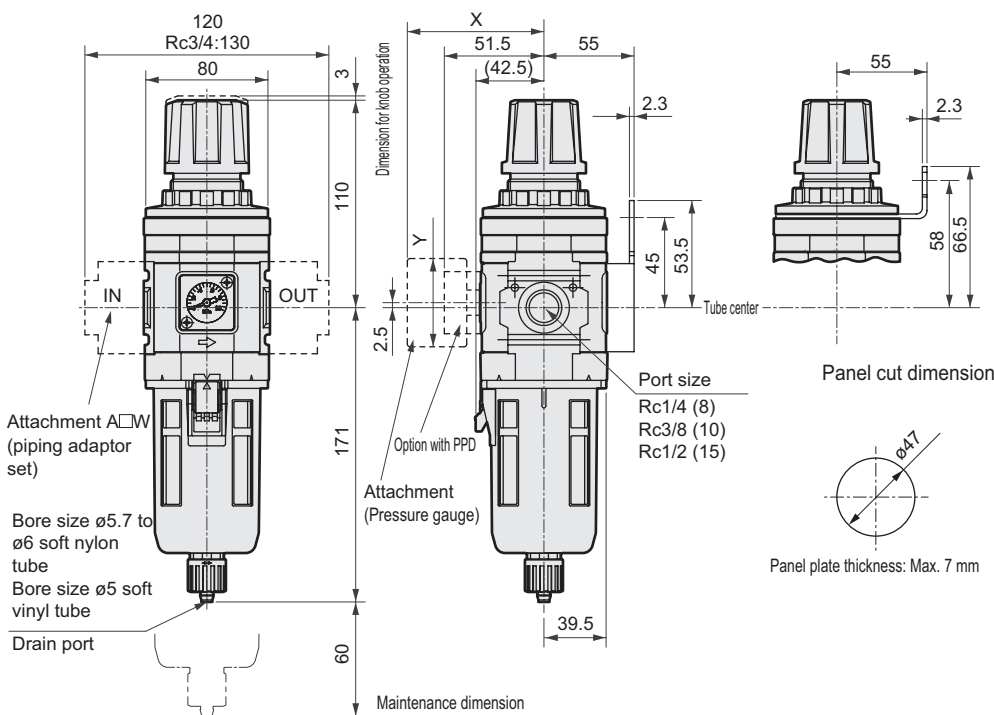
Dimensions

● W3000-W



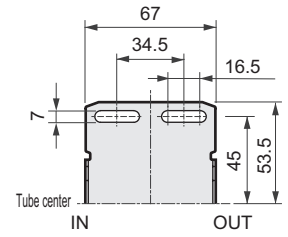
● For the plastic bowl, the dimensions of the manual cock and the automatic drain are same.

● W4000-W

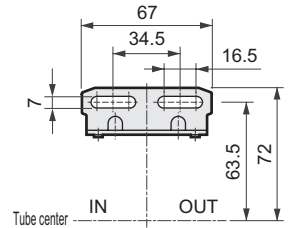


● For the plastic bowl, the dimensions of the manual cock and the automatic drain are same.

• Attachment
C type bracket (-BW)
Part model no.: B320



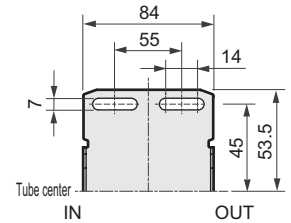
L type bracket (-B3W)
Part model no.: B330



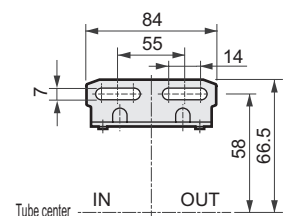
Pressure gauge attached optional dimensions table

Attached pressure gauge	X	Y
G45P	(70)	ø39
G49P	(69.5)	ø43.5
G59P	(72)	ø52
G40P	(71.5)	ø42.5
G50P	(71.5)	ø52.5
G41P	(70)	ø42
G52P	(82)	ø52.5
R2	(69.5)	□30

• Attachment
C type bracket (-BW)
Part model no.: B420



L type bracket (-B3W)
Part model no.: B430



Pressure gauge attached optional dimensions table

Attached pressure gauge	X	Y
G45P	(75)	ø39
G49P	(74.5)	ø43.5
G59P	(77)	ø52
G40P	(76.5)	ø42.5
G50P	(76.5)	ø52.5
G41P	(75)	ø42
G52P	(86)	ø52.5
R2	(75)	□30

Refrigerating type dryer
Desiccant type dryer
High polymer membrane type dryer
Air filter
Auto. drain / others
F.R.L. (Module unit)
F.R.L. (Separate)
Compact F.R.
Precise regulator
F.R.L. (Related products)
Clean F.R.
Electro pneumatic regulator
Air booster
Speed control valve
Silencer
Check valve / others
Joint / tube
Vacuum filter
Vacuum regulator
Suction plate
Magnetic spring buffer
Mechanical pressure SW
Electronic pressure SW
Contact / close contact conf. SW
Air sensor
Pressure SW for coolant
Small flow sensor
Small flow controller
Flow sensor for air
Flow sensor for water
Total air system
Total air system (Gamma)
Ending

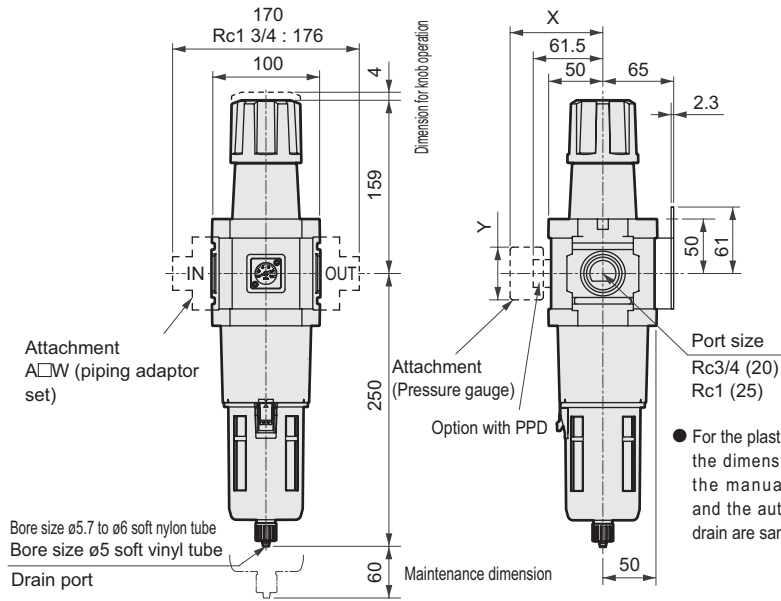
Standard series
F.R.L. unit

Filter/Regulator series

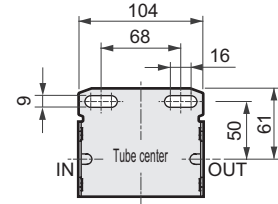
Dimensions



W8000-W



Attachment C type bracket (-BW) Part model no.: B820



Pressure gauge attached optional dimensions table

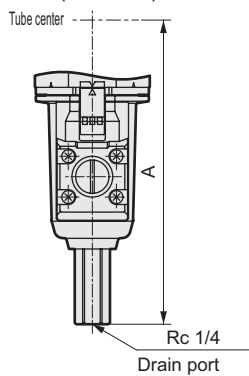
Attached pressure gauge	X	Y
G45P	(85)	$\phi 39$
G49P	(84.5)	$\phi 43.5$
G59P	(87)	$\phi 52$
G40P	(86.5)	$\phi 42.5$
G50P	(86.5)	$\phi 52.5$
G41P	(85)	$\phi 42$
G52P	(98)	$\phi 52.5$
R2	(85)	$\square 30$

Optional dimensions

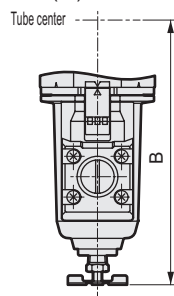


● Metal bowl (option) [W2000-W, 3000-W, 4000-W, 8000-W]

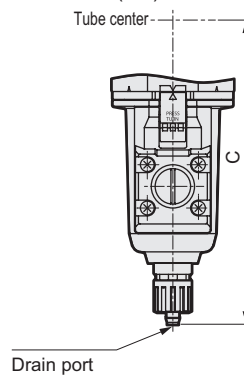
With automatic drain (FM, F1M)



Automatic drain cock (M)



Standard manual drain cock (M1)



Dimensions

Model no.	F1M	M	M1
	A	B	C
W2000-W	-	-	147
W3000-W	163.5	143.5	154
W4000-W	187	166.5	177
W8000-W	266	245.5	256