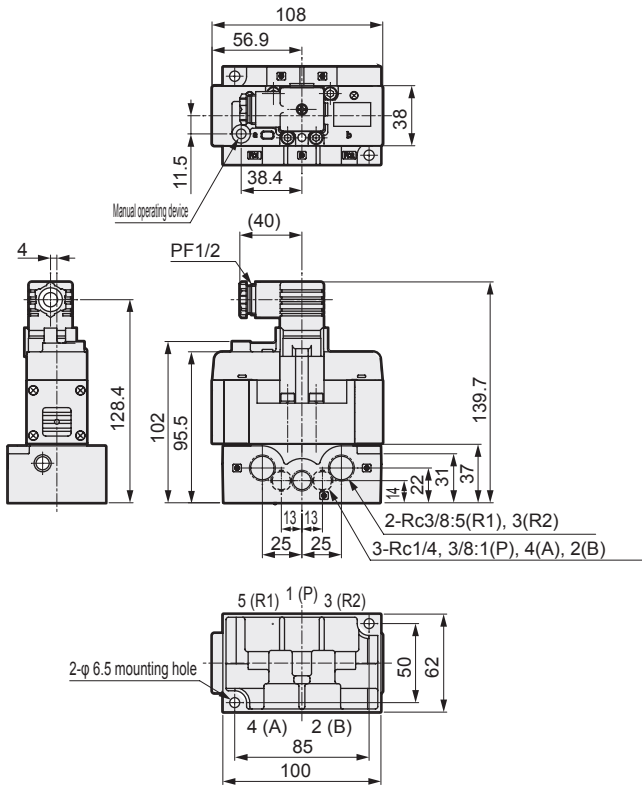


Dimensions: DIN terminal box type (with sub-plate)

PV5G-6-FG-S-**-*

PV5G-6-YZ-S-**-*

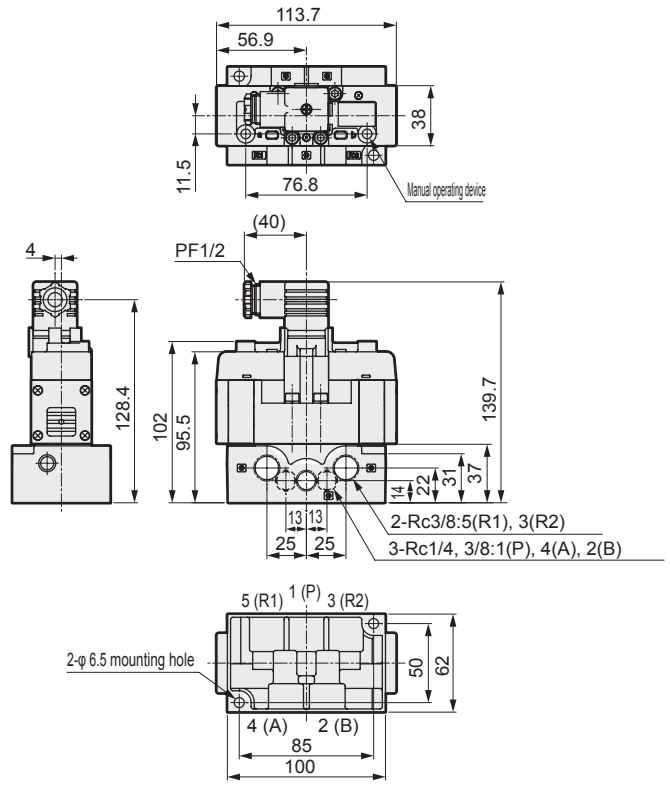
● 2-position single



PV5G-6-FG-D-**-*

PV5G-6-YZ-D-**-*

● 2-position double

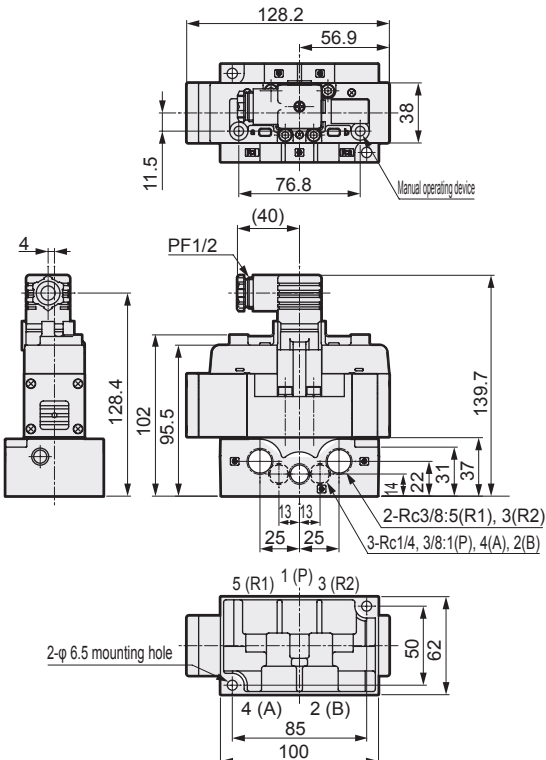


PV5G-6-FHG-D-**-*

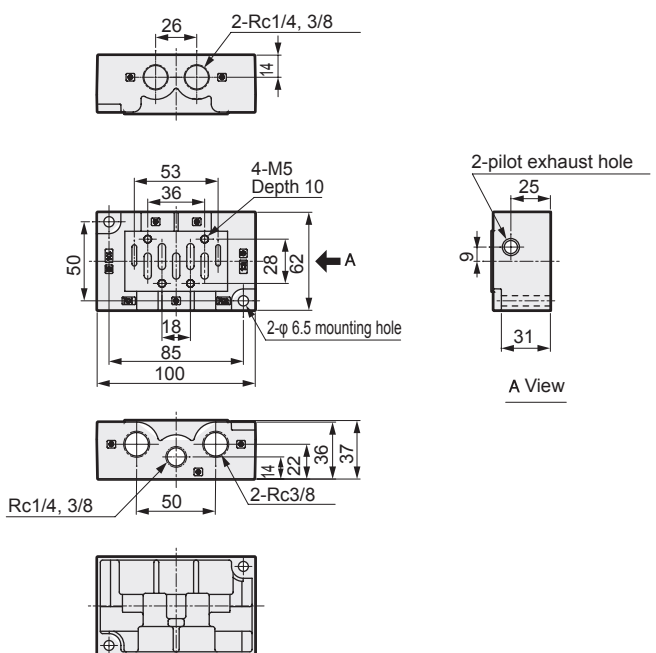
PV5G-6-FJG-D-**-*

PV5G-6-FIG-D-**-*

● 3-position



● Sub-plate dimensions



4GA/B
M4GA/B
4GA4/B4
MN4GA/B
4GA/B (Master)
MN3E MN4E
W4GA/B2
W4GB4
4TB
4L2-4/LMF0
MN3S0 MN4S0
4SA/B0
4KA/B
4KA/B (Master)
4F
4F (Master)
PV5G GMF
PV5 GMF
PV5S-0
3QR 3QB
3MA/B0
3PA/B
P/M/B
NP/NAP NVP
4F*0E
HMV HSV
2QV 3QV
SKH
PCD
Silencer
Total air system
Total air system (Gamma)
Ending