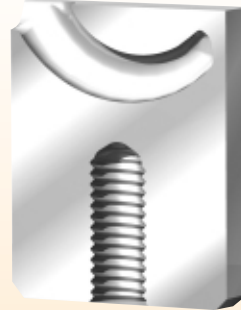
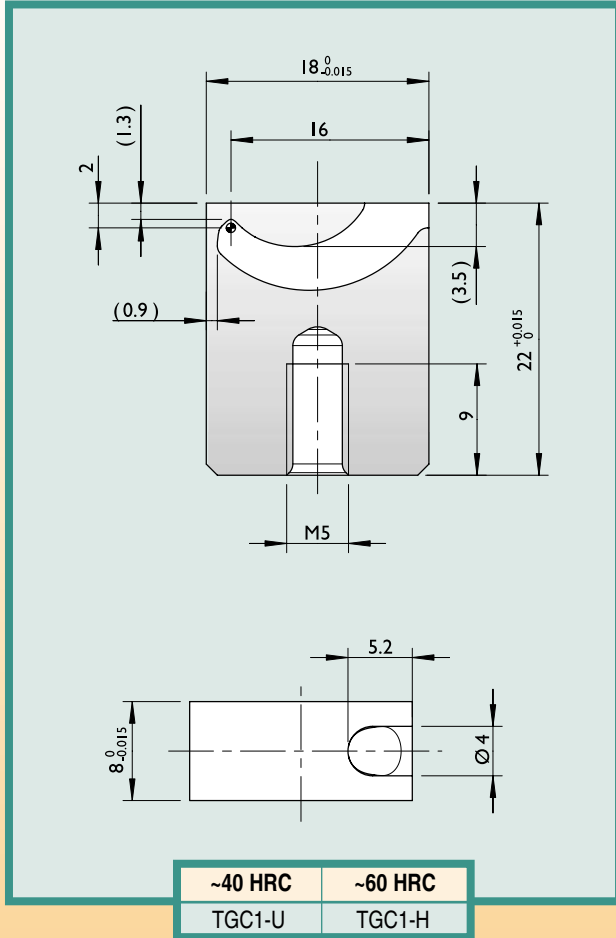


# Cashew Gate Inserts

## Contourable

### For shot weights up to 45g



Cutaway View



External View

- The maximum contour depth is 2mm.
- Up to 1,2mm gate point diameter.
- Available in two different hardnesses.

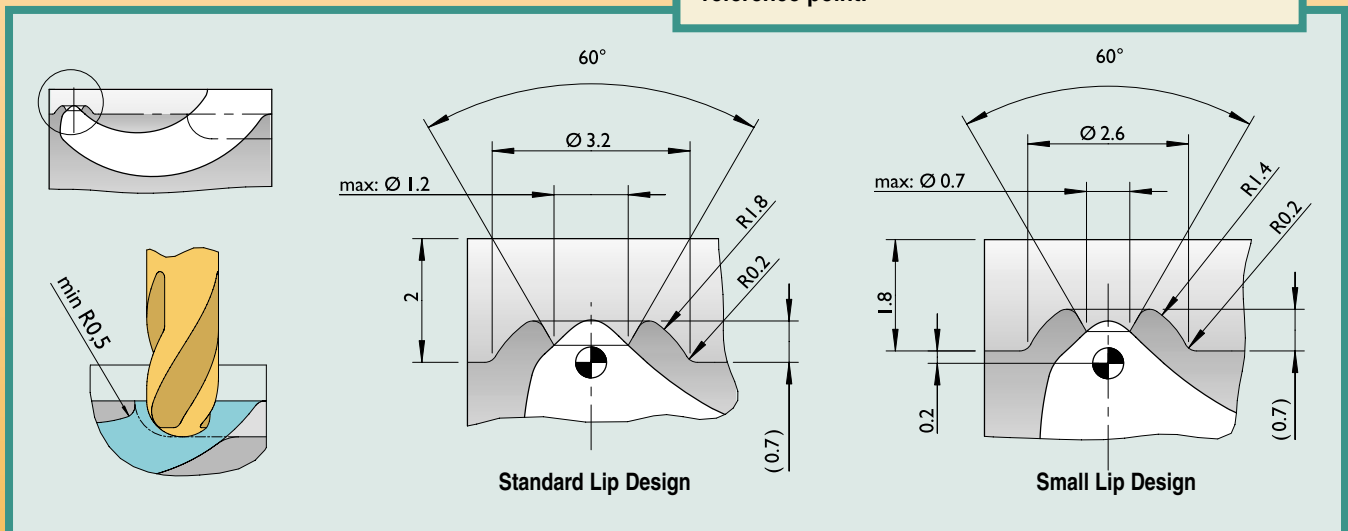
#### Standard Lip Design

- The maximum contour depth is 2mm.
- Gate area can be up to 1,2mm.
- 3D CAD for lip design can be downloaded from the i-mold website.

#### Small Lip Design

- The maximum contour depth is 1,8mm.
- Gate area can be up to 0,7mm.
- 3D CAD for lip design can be downloaded from the i-mold website.

**IMPORTANT:** Maintain a 0,2mm offset from the CAD reference point!



CAD files available at: