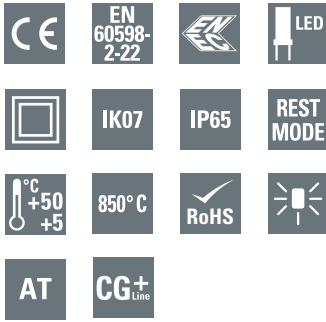


# Beam lights

## BeamTech Large PSU, 4 Light Heads



### Features & Benefits





- High flux luminaire with configuration of two directional LED lamp heads
- Variants of 2000lm, each light head can reach up to 500 lumens
- Installation up to 25m (30m) with optimum spacing of 36.8m (43.1m) for 1lux (0.5lux) illumination
- E-focus programming. Narrow and Wide light distribution, programmed by the user
- One product applicable for Escape Route or Open area illumination
- User / installer to define light distribution to fit the application
- Suitable for use in large open areas (supermarkets, warehouses, cinemas, theatres, factories, shopping malls, industrial units, stadiums etc.)
- New modern and flexible / modular design, wall or ceiling mounted
- Mains & communication cabling option from all housing sides (back & side entry)
- Locking mechanism of light head preventing accidental change of light heads configuration
- With automatic test for reduced inspection effort
- For autonomous installation or connection to the CGLine+ monitoring system
- Simple fault analysis and status display via bi-color LED
- Blocking function prevents unintended discharge during idle operating times (only with CGLine+ WEB-Controller)

BeamTech Large PSU, 4 Light Heads



Luminous flux	2000lm
Operation	Non-Maintained
Autonomy	1 hour
Testing system	test button, test by Telecommand
Degree of protection	IP65 & IK07
Connection terminals	up to 2,5 mm <sup>2</sup> screwless pushwire & multicore, In & Out mains terminals (L, N, E) CGLine+ bus through-wiring up to 2,5 mm <sup>2</sup>
Rated voltage	220-240Vac, 50/60Hz
Housing material	Polycarbonate (850 °C glow wire resistant)
Housing color	RAL9003
Insulation class	Class II
Permissible ambient temperature	+5°C to +50°C
Light source	12 LEDs Wide / 12 LEDs Narrow (4W max)

### Ordering details

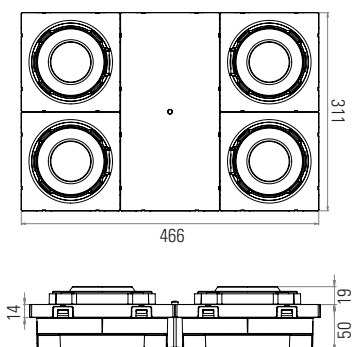
Order code	Description				
BT4LL-G1	BeamTech Large 4x500lm	10VA / 9W*	1h	2000 lm	2x LiFePo4 6.4V / 3.2Ah
BT4LL-G1-AT	BeamTech Large 4x500lm AT	10VA / 9W*	1h	2000 lm	2x LiFePo4 6.4V / 3.2Ah
BT4LL-G1CGL	BeamTech Large 4x500lm CGL	10VA / 9W*	1h	2000 lm	2x LiFePo4 6.4V / 3.2Ah

\* While charging, less than 1W in standby

### Accessories

Order code	Description
BTLGRID	BeamTech Large/BeamLitell Grid (54x44x22)

Dimensions in mm



Protection grid

