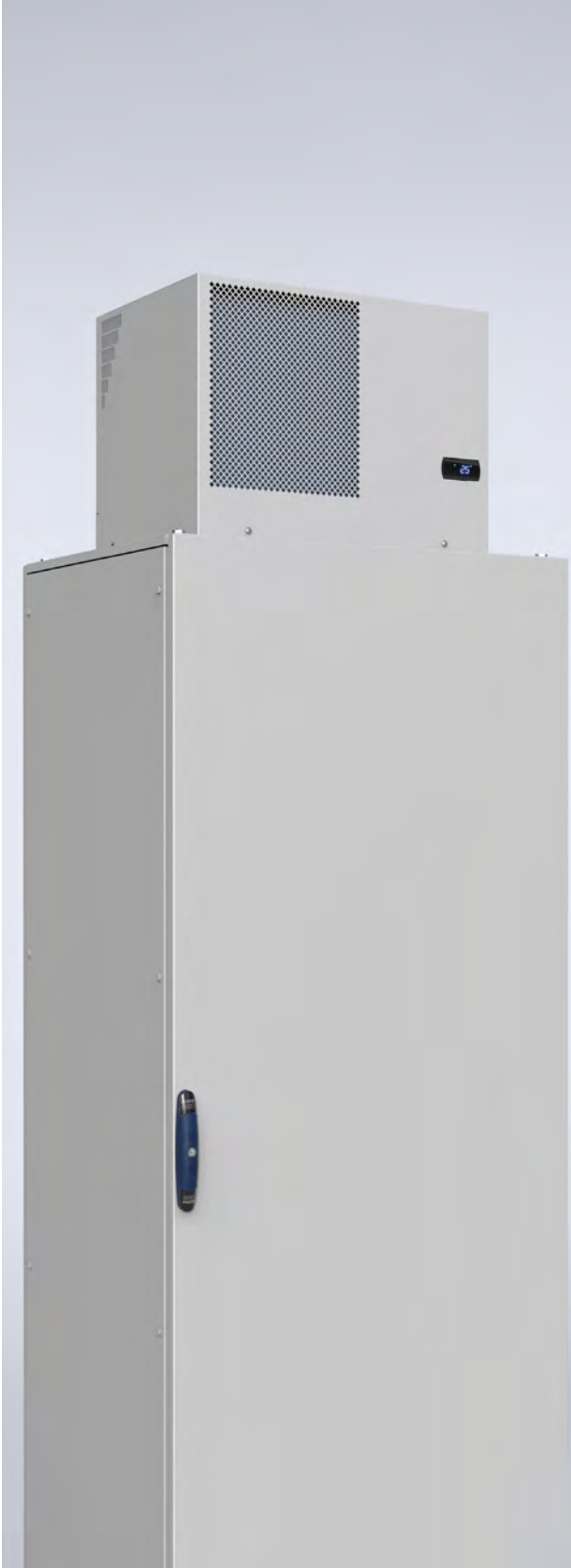


# Thermal Management

## Cooling units

### Roof | CUH

#### IP 54

**Description:**

High performance cooling unit for top installation, the air conditioners cover a cooling capacity range from 600 W to 3800 W. Condensation management system, which prevents all condensation from penetrating into the enclosure. Most models are equipped with a condensation dissipator and “triple condensation protection system”, from 1400 W up to 3800 W units. Easy installation with a quick release mounting frame.

Common to all models is the self cleaning condenser coil which eliminates the necessity for an air filter, avoiding ordinary maintenance. The standard controller is electronic. The digital thermostat (ECB) is standard on all roof units. The cooling capacity for specific conditions are indicated in the diagrams. Ozone friendly refrigerant R134a.

**Type of connection:**

Spring-type terminal included.

**Material:**

Mild steel powder coated, RAL 7035.

**Temperature limits inside:**

+25°C to +45°C.

**Temperature limits outside:**

+20°C to +55°C.

**Protection:**

IP 54.

**Finish:**

RAL 7035.

**Approvals:**

CE, cRUus\_UL Recognized.

**Pack quantity:**

One unit.



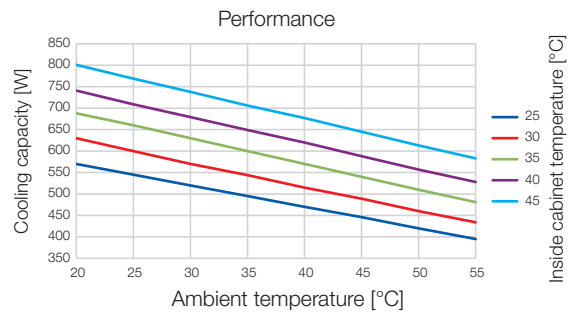
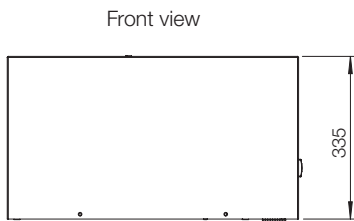
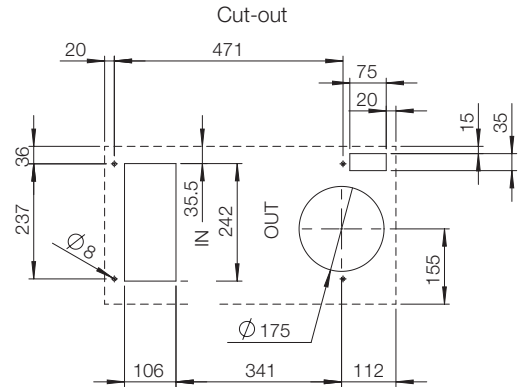
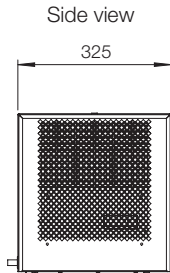
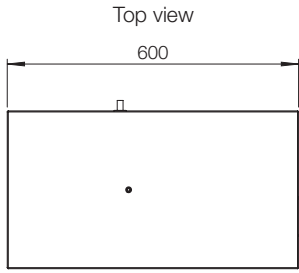
IP 54

H	W	D	Cooling capacity L35L35 (W)	Cooling capacity L35L50 (W)	Power consumption L35L50 (W)	Power supply (V/ph/Hz)	Item no.
335	600	325	600	510	411	230 / 1 / 50 - 60	CUH06002
335	600	325	900	760	630	230 / 1 / 50 - 60	CUH09002
450	600	400	1400	1170	950	230 / 1 / 50 - 60	CUH14002
450	600	400	2000	1700	1200	230 / 1 / 50 - 60	CUH20002
480	800	450	2700	2300	1660	230 / 1 / 50 - 60	CUH27002
480	800	450	3800	2700	1550	400 - 3 - 50 / 460 - 3 - 60	CUH38004

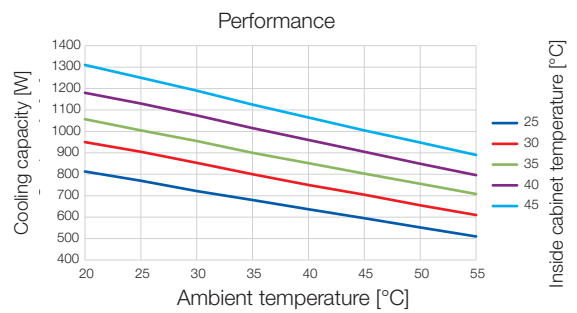
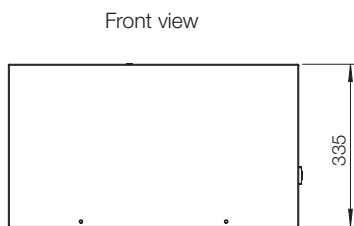
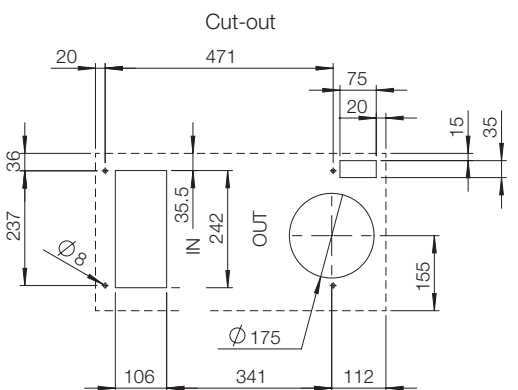
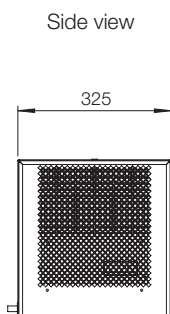
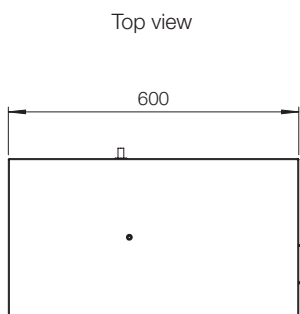
Max. running current (A)	Starting current (A)	Pre-fuse (A)	Side cabinet fan flow (m³/h)	Noise level (dB)	Weight (kg)	Item no.
3	16	4	575	63	32.15	CUH06002
4	15	6	575	67	33.05	CUH09002
5.5	17	8	575	58	51.95	CUH14002
7	22	10	860	62	55.15	CUH20002
9.5	38	12	860	77	77.80	CUH27002
3.5	7	8	1450	77	82.90	CUH38004

# Dimensional drawing | CUH

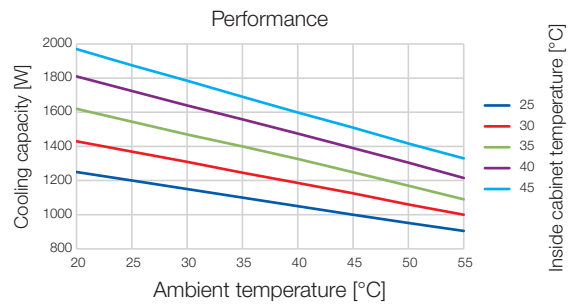
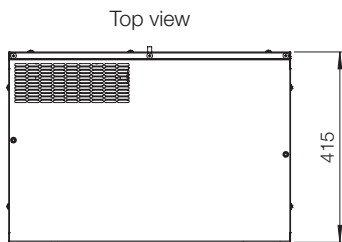
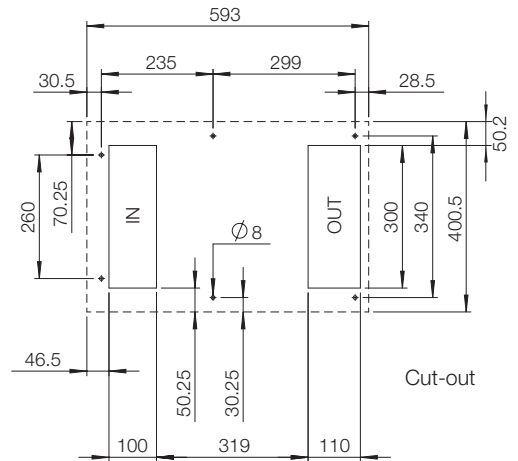
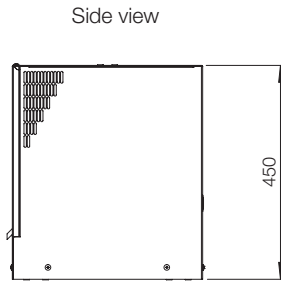
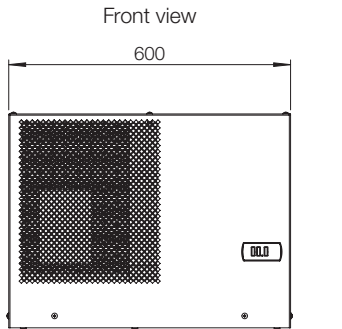
CUH06002



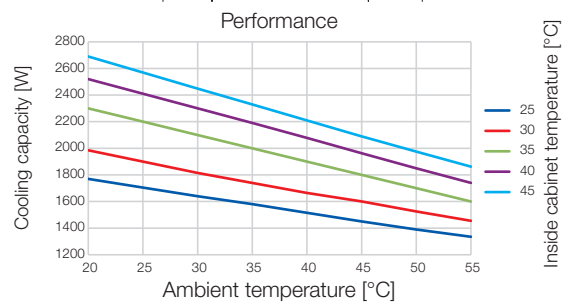
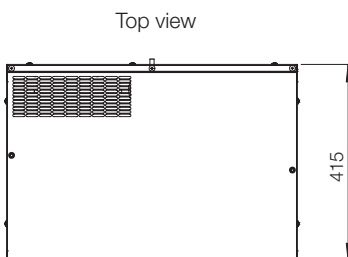
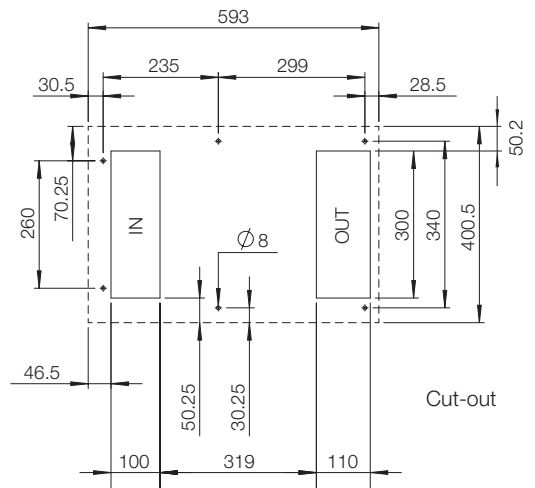
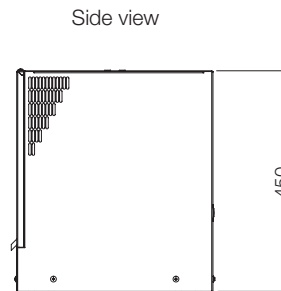
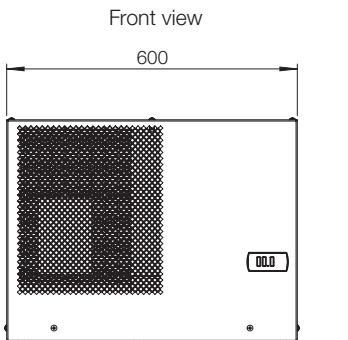
CUH09002



CUH14002

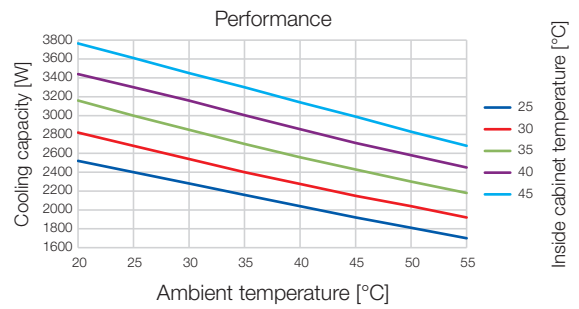
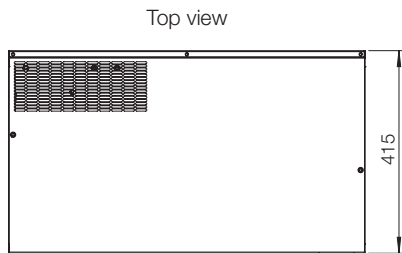
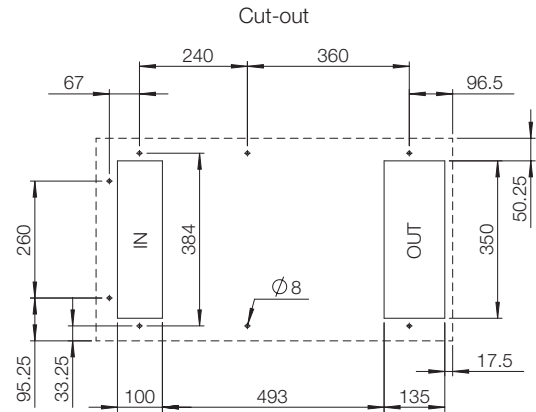
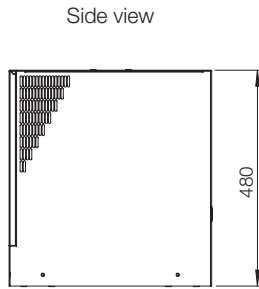
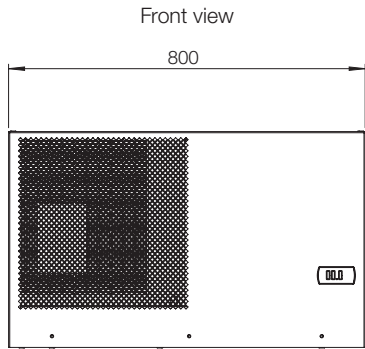


CUH20002



# Dimensional drawing | CUH

CUH27002



CUH38004

