

Thermal Management

Heating & Anticondensation Range

Accessories

Fan Heater, EHV

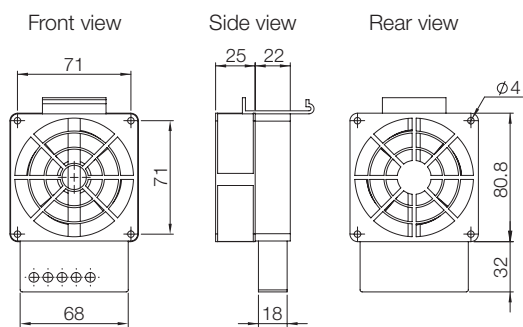
- Description:** High performance space saving fan heater to prevent condensation. The fan assists the natural convection for fast distribution of the heat in large enclosures. Mounting clip for 35 mm DIN rail (EN60715). Temperature safety cut-out to protect against overheating in case of fan failure, automatic reset.
- Heating element:** High performance cartridge.
- Material:** Plastic according to UL94 V-0, and die-cast aluminium.
- Fan life:** 50.000 h at 25°C.
- Operating temperature:** -45°C to +70°C.
- Connection:** 3-pole screw connector 2.5 mm².
- Protection:** IP 20, Class I (earthed).
- Approvals:** CE, EAC.
- Pack quantity:** 1 piece.



Capacity (W)	Air flow m ³ /h	Voltage (V)	Weight (kg)	Item no.
100	35	230 V AC 50/60 HZ	0.55	EHV100
150	35	230 V AC 50/60 HZ	0.55	EHV150
200	108	230 V AC 50/60 HZ	0.90	EHV200
300	108	230 V AC 50/60 HZ	0.90	EHV300
400	108	230 V AC 50/60 HZ	0.90	EHV400

Voltage (V): 120 V AC on request.

EHV100 / EHV150



EHV200 / EHV300 / EHV400

