

**Human Machine Interface
Console Range | Stainless Steel
Modular | MPCS**

IP 66 | TYPE 4X, 12, 13 | IK 10 (single door); IP 55 | TYPE 12, 13 | IK 10 (double door)



**Material:**

AISI 304 pre-grained stainless steel / AISI 316L (on request). Body and door: 2 mm. Rear panel: 1.5 mm. Bottom plates: 1.5 mm. Mounting plate: 2.5 mm galvanized steel.

Body:

Folded and seam welded. Console construction counts with a base that provides a distance between the floor and the lower part of the door/s acting as an integrated plinth.

Doors and panels:

Single folded surface mounted with hinges allowing left and right-hand opening to base door. Top section and desk panels held open by self engage/self release mechanical panel stays. Concealed hinges allowing 90° opening on the desk. Double doors on 1200 mm and 1600 mm wide base units.

Mounting plate:

Standard in base unit. Fixed by fixing brackets on C rail, top and bottom for depth adjustment. Optional in desk and top section units.

Lock:

Double-bit 3 mm locks for top section and desk unit. For base, two double-bit 3 mm locks. Other options available. See wall mounting section.

Cable access:

Bottom open in base unit for cable access. Bottom plates for cable glanding supplied as standard.

Earthing:

M8 threaded studs on bodies, doors and rear panels.

Finish:

240s pre grained stainless steel (average 0.5 micron).

Protection:

Single door: IP 66 | TYPE 4X, 12, 13 | IK 10. Double door: IP 55 | TYPE 12, 13 | IK 10.

Approvals:

CE, CSA, GOST, Kema Keur, Lloyds shipping, cULus_listed.

Delivery:

The base unit is provided with a mounting plate as standard. Desk and top section units have mounting plates provided as accessories. All top and base apertures can be closed by choosing the appropriate accessory plate. Suitable nuts and washers for the various earthing studs are provided.



Dimensional table | MPCS

IP 66 | TYPE 4X, 12, 13 | IK 10 (single door); IP 55 | TYPE 12, 13 | IK 10 (double door)

Top section units | Stainless steel

Enclosure dimensions				Item no.
H	W	D		
500	600	494		MPCS061
500	600	494		MPCS061-316
500	800	494		MPCS081
500	800	494		MPCS081-316
500	1000	494		MPCS101
500	1000	494		MPCS101-316
500	1200	494		MPCS121
500	1200	494		MPCS121-316
500	1600	494		MPCS161
500	1600	494		MPCS161-316

Desk units | Stainless steel

Enclosure dimensions				Item no.
H	W	D		
250	600	985		MPCS062
250	600	985		MPCS062-316
250	800	985		MPCS082
250	800	985		MPCS082-316
250	1000	985		MPCS102
250	1000	985		MPCS102-316
250	1200	985		MPCS122
250	1200	985		MPCS122-316
250	1600	985		MPCS162
250	1600	985		MPCS162-316

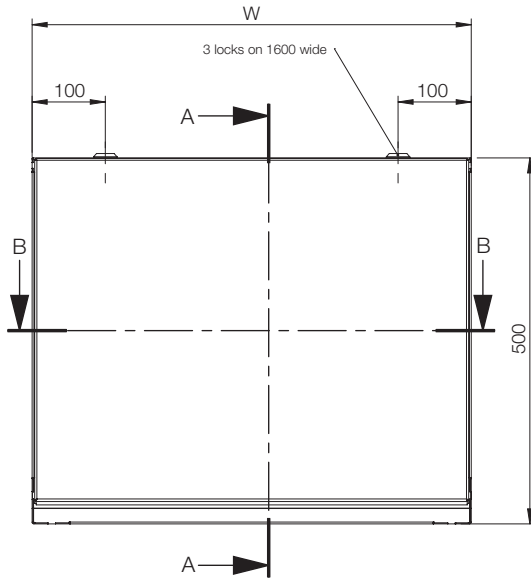
Base units with mounting plate | Stainless steel

Enclosure dimensions			Mounting plate dimensions		Usable depth	Item no.
H	W	D	h	w	d	
700	600	500	590	499	470.5	MPCS063
700	600	500	590	499	470.5	MPCS063-316
700	800	500	590	699	470.5	MPCS083
700	800	500	590	699	470.5	MPCS083-316
700	1000	500	590	899	470.5	MPCS103
700	1000	500	590	899	470.5	MPCS103-316
700	1200	500	590	1099	470.5	MPCS123
700	1200	500	590	1099	470.5	MPCS123-316
700	1600	500	590	1499	470.5	MPCS163
700	1600	500	590	1499	470.5	MPCS163-316

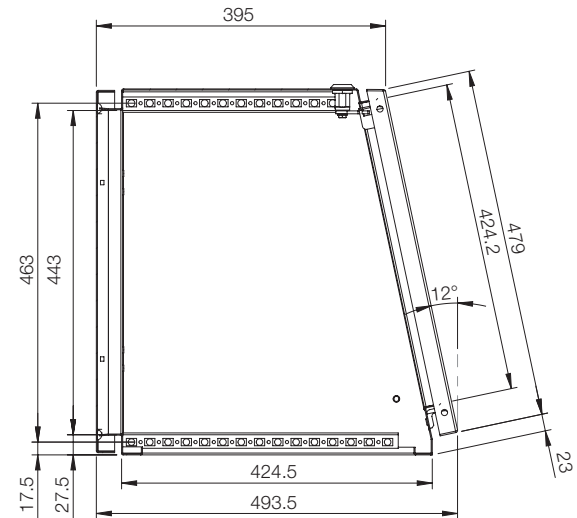
Note: Only 1200 mm and 1600 mm wide consoles have double door.

Top section units

Front view

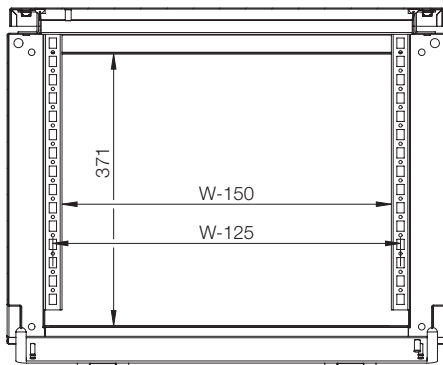


Sectional side view



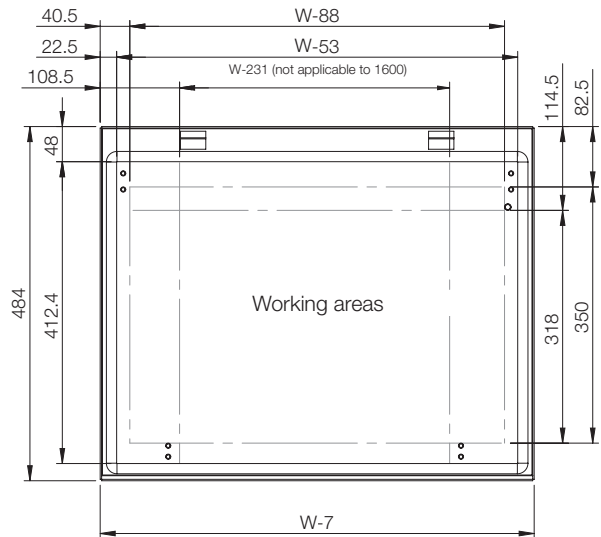
SECTION A-A

Sectional top view



SECTION B-B

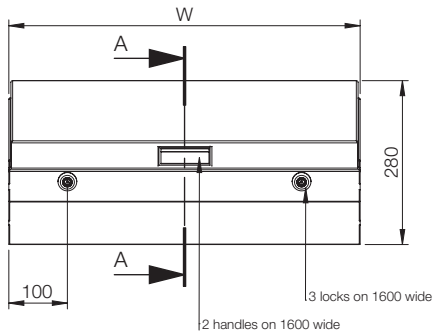
Inside panel view



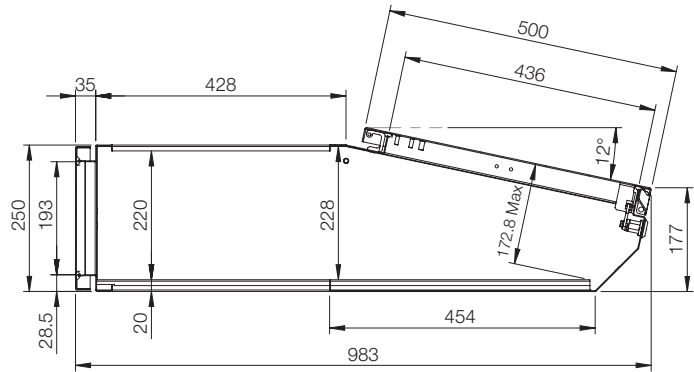
Dimensional drawing | MPCS

Desk unit

Front view

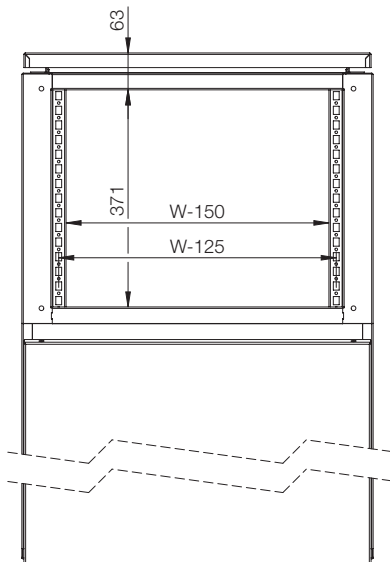


Sectional side view

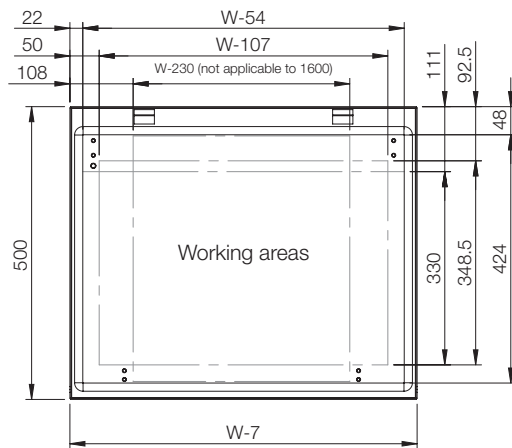


SECTION A-A

Top view

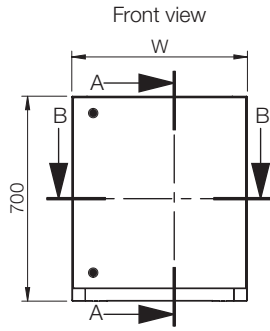


Inside panel view

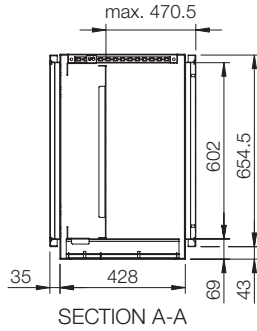


Base unit with mounting plate

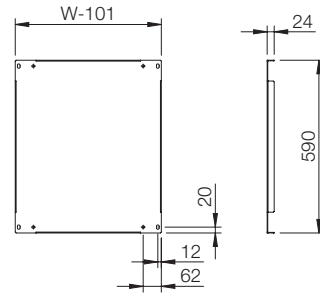
Single door



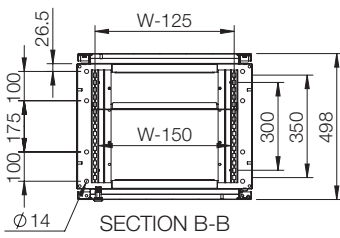
Sectional side view



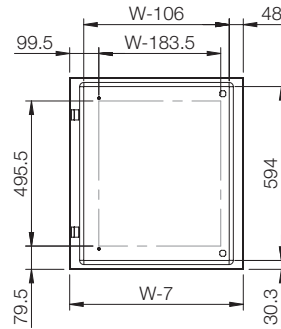
Mounting plate view



Sectional top view

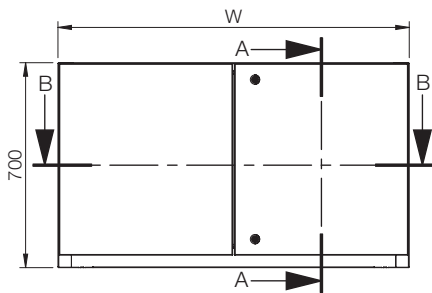


Inside door view

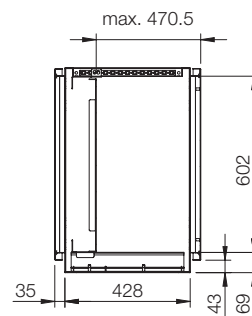


Double door

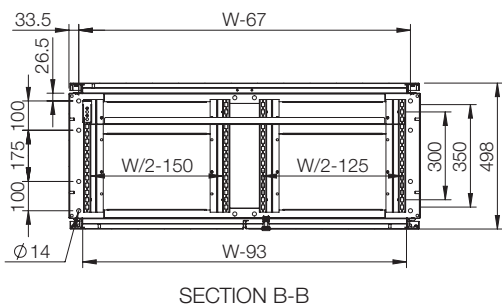
Front view



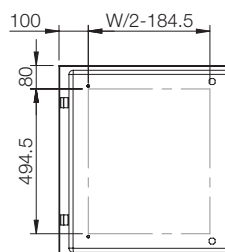
Sectional side view



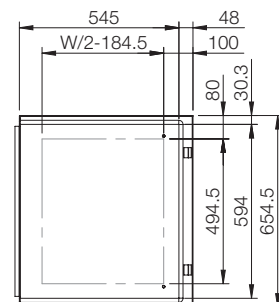
Sectional top view










Inside right door view



Inside left door view



										
Console				Mounting			Fixing		Doors	
	H	W	D	Mounting plate	Segregation plate	Vertical mounting profiles	Plinth (100 mm height)	Plinth (200 mm height)	Cover plate	
MPCS061	500	600	494	CDPZ06	-	-	-	-	-	
MPCS061-316	500	600	494	CDPZ06	-	-	-	-	-	
MPCS081	500	800	494	CDPZ08	-	-	-	-	-	
MPCS081-316	500	800	494	CDPZ08	-	-	-	-	-	
MPCS101	500	1000	494	CDPZ10	-	-	-	-	-	
MPCS101-316	500	1000	494	CDPZ10	-	-	-	-	-	
MPCS121	500	1200	494	CDPZ12	-	-	-	-	-	
MPCS121-316	500	1200	494	CDPZ12	-	-	-	-	-	
MPCS161	500	1600	494	CDPZ16	-	-	-	-	-	
MPCS161-316	500	1600	494	CDPZ16	-	-	-	-	-	
MPCS062	250	600	985	CDPZ06	SGPZ06	-	-	-	BDPS06	
MPCS062-316	250	600	985	CDPZ06	SGPZ06	-	-	-	BDPS06	
MPCS082	250	800	985	CDPZ08	SGPZ08	-	-	-	BDPS08	
MPCS082-316	250	800	985	CDPZ08	SGPZ08	-	-	-	BDPS08	
MPCS102	250	1000	985	CDPZ10	SGPZ10	-	-	-	BDPS10	
MPCS102-316	250	1000	985	CDPZ10	SGPZ10	-	-	-	BDPS10	
MPCS122	250	1200	985	CDPZ12	SGPZ12	-	-	-	BDPS12	
MPCS122-316	250	1200	985	CDPZ12	SGPZ12	-	-	-	BDPS12	
MPCS162	250	1600	985	CDPZ16	SGPZ16	-	-	-	BDPS16	
MPCS162-316	250	1600	985	CDPZ16	SGPZ16	-	-	-	BDPS16	
MPCS063	700	600	500	CBPZ06	-	KMB700	MSNS1065	MSNS2065	BDPS06	
MPCS063-316	700	600	500	CBPZ06	-	KMB700	MSNS1065	MSNS2065	BDPS06	
MPCS083	700	800	500	CBPZ08	-	KMB700	MSNS1085	MSNS2085	BDPS08	
MPCS083-316	700	800	500	CBPZ08	-	KMB700	MSNS1085	MSNS2085	BDPS08	
MPCS103	700	1000	500	CBPZ10	-	KMB700	MSNS1105	MSNS2105	BDPS10	
MPCS103-316	700	1000	500	CBPZ10	-	KMB700	MSNS1105	MSNS2105	BDPS10	
MPCS123	700	1200	500	CBPZ12	-	KMB700	MSNS1125	MSNS2125	BDPS12	
MPCS123-316	700	1200	500	CBPZ12	-	KMB700	MSNS1125	MSNS2125	BDPS12	
MPCS163	700	1600	500	CBPZ16	-	KMB700	2x MSNS1085	2x MSNS2085	BDPS16	
MPCS163-316	700	1600	500	CBPZ16	-	KMB700	2x MSNS1085	2x MSNS2085	BDPS16	