

**Human Machine Interface
Console Range | Stainless Steel
Compact | MPGS**

IP 66 | TYPE 4X, 12, 13 | IK 10 (single door); IP 55 | TYPE 12, 13 | IK 10 (double door)



**Material:**

AISI 304 pre-grained stainless steel / AISI 316L (on request). Body and door: 2 mm. Rear panel: 1.5 mm. Bottom plates: 1.5 mm. Mounting plate: 2.5 mm galvanized steel.

Body:

Folded and seam welded. Console construction counts with a base that provides a distance between the floor and the lower part of the door/s acting as an integrated plinth.

Doors and panels:

Single folded surface mounted with hinges allowing left and right-hand opening to base door. Angle 12° from horizontal. Concealed hinges on top edge allow 90° opening. Panel held open by self engage/self release mechanical panel stay. Double door on 1200 wide base units.

Mounting plate:

Standard mounting plate in base unit.

Lock:

Double-bit 3 mm locks for top panel. For base, two double-bit 3 mm locks. Other options available. See wall mounting section.

Cable inlet:

Bottom opening for cable access. Bottom plate for cable glanding supplied as standard.

Earthing:

M8 threaded studs on body, door, top panel and rear panel.

Finish:

240s pre grained stainless steel (average 0,5 micron).

Protection:

Single door: IP 66 | TYPE 4X, 12, 13 | IK 10. Double door: IP 55 | TYPE 12, 13 | IK 10.

Approvals:

CE, CSA, GOST, Kema Keur, Lloyds shipping, cULus_listed.

Delivery:

Mounting plate and suitable nuts and washers for earthing. The console is delivered on a wooden pallet.



Dimensional table | MPGS

IP 66 | TYPE 4X, 12, 13 | IK 10 (single door); IP 55 | TYPE 12, 13 | IK 10 (double door)

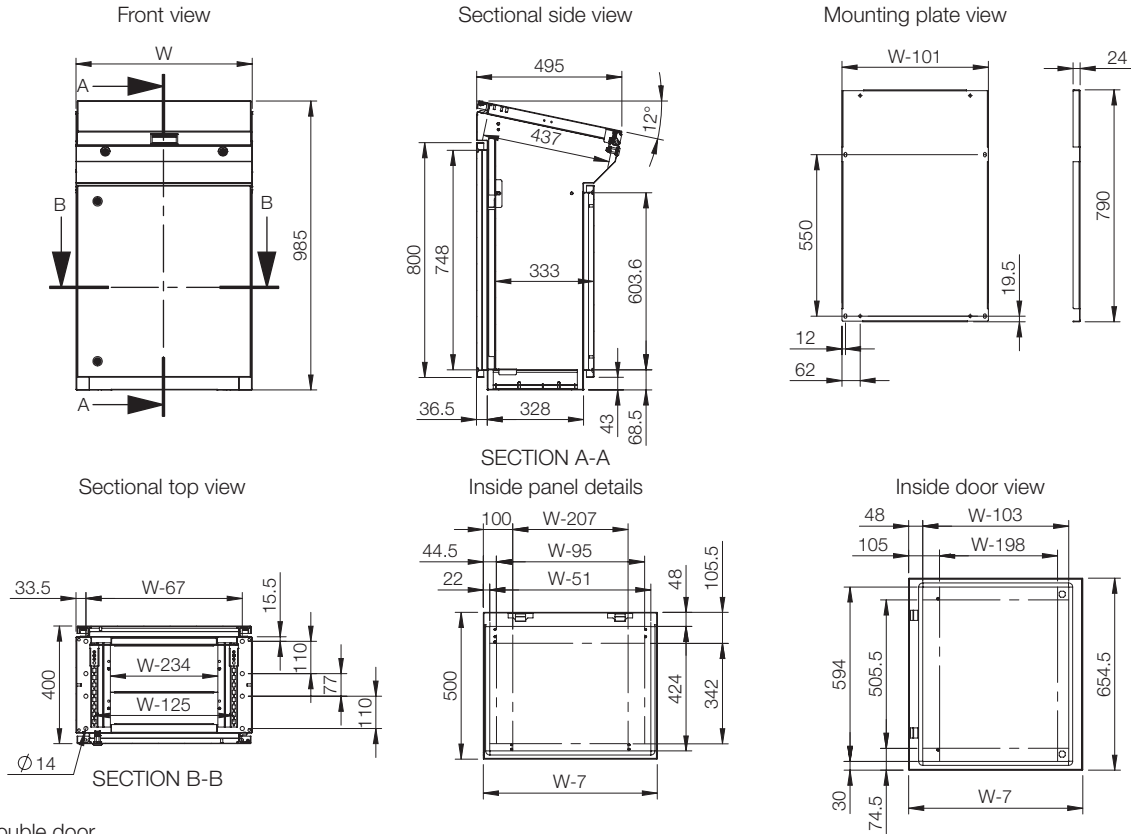
Stainless steel

Enclosure dimensions			Mounting plate dimensions		Usable depth	Item no.
H	W	D	h	w	d	
985	600	400	790	499	357.5	MPGS06
985	600	400	790	499	357.5	MPGS06-316
985	800	400	790	699	357.5	MPGS08
985	800	400	790	699	357.5	MPGS08-316
985	1000	400	790	899	357.5	MPGS10
985	1000	400	790	899	357.5	MPGS10-316
985	1200	400	790	1099	357.5	MPGS12
985	1200	400	790	1099	357.5	MPGS12-316

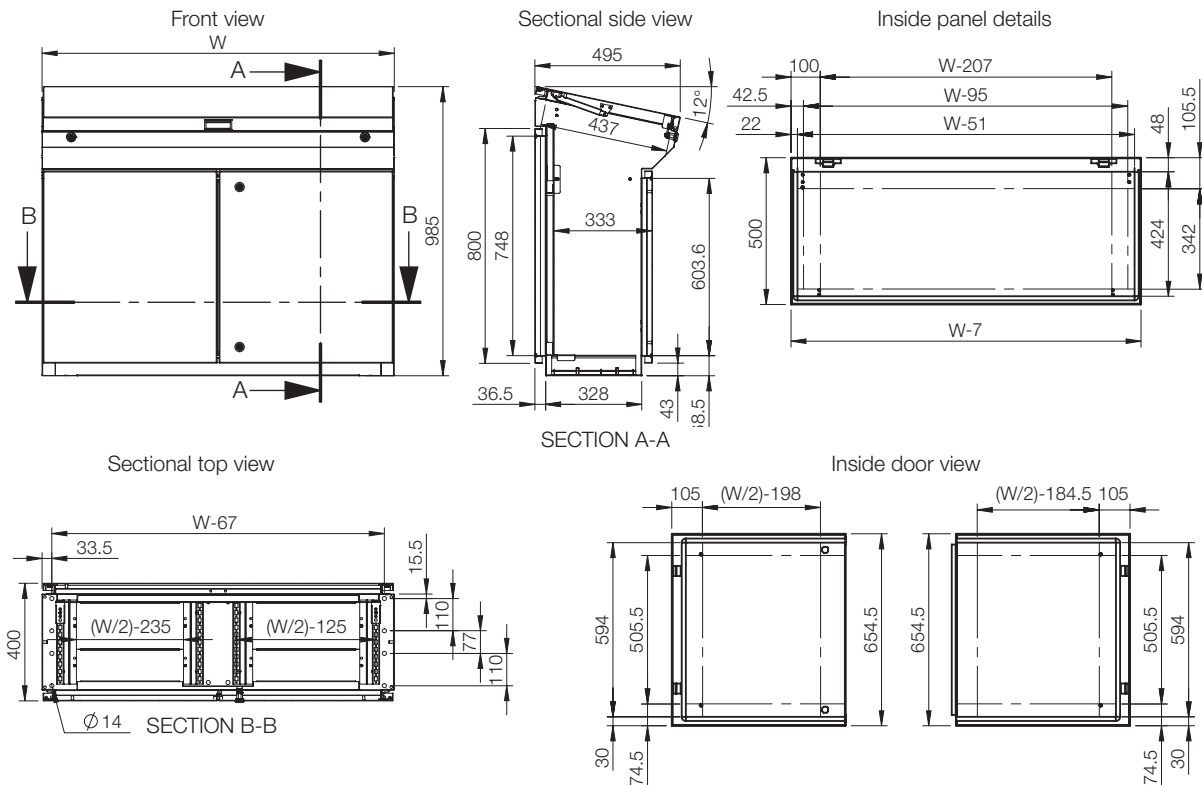
Note: Only 1200 mm wide consoles have double door.



Single door



Double door



Accessories selection matrix | MPGS

Console				Mounting			Fixing	
H	W	D	Mounting plate	Depth adjustment kit	Vertical mounting profiles	Plinth (100 mm height)	Plinth (200 mm height)	
MPGS06	985	600	400	GCPZ06	MPGDA01	KMB700	MSNS1064	MSNS2064
MPGS06-316	985	600	400	GCPZ06	MPGDA01	KMB700	MSNS1064	MSNS2064
MPGS08	985	800	400	GCPZ08	MPGDA01	KMB700	MSNS1084	MSNS2084
MPGS08-316	985	800	400	GCPZ08	MPGDA01	KMB700	MSNS1084	MSNS2084
MPGS10	985	1000	400	GCPZ10	MPGDA01	KMB700	MSNS1104	MSNS2104
MPGS10-316	985	1000	400	GCPZ10	MPGDA01	KMB700	MSNS1104	MSNS2104
MPGS12	985	1200	400	GCPZ12	MPGDA01	KMB700	MSNS1124	MSNS2124
MPGS12-316	985	1200	400	GCPZ12	MPGDA01	KMB700	MSNS1124	MSNS2124