

# TOILET ROLL HOLDER WITH RESERVE ROLL WP167



148 x 348 x 150 mm

with 1 concealed reserve roll

- Toilet roll holder with one concealed reserve roll in robust, germ-reducing and easy-care stainless steel (AISI 304).
- All-stainless steel housing; all corners fully welded. Visible surfaces satin finished and brushed. Further available surfaces: see below.
- Designed for two standard toilet rolls, including one concealed reserve roll, which drops down automatically with dimensions:
  - Outer diameter max. 125 mm
  - Width max. 100 mm
  - Core diameter min. 38 mm
- Inspection slot to indicate fill level.
- Accessible for refilling through lockable front flap.
- Keyed alike cylinder lock in corrosion-resistant zinc die-casting.
- Wear parts can be replaced as modules.
- Installation dimensions: 150 x 350 x 140 mm
- Mounting: With four screws in wall opening through fixing holes in the side walls.
- Delivery includes fixing material.
- Weight, including single package: 3.2 kg

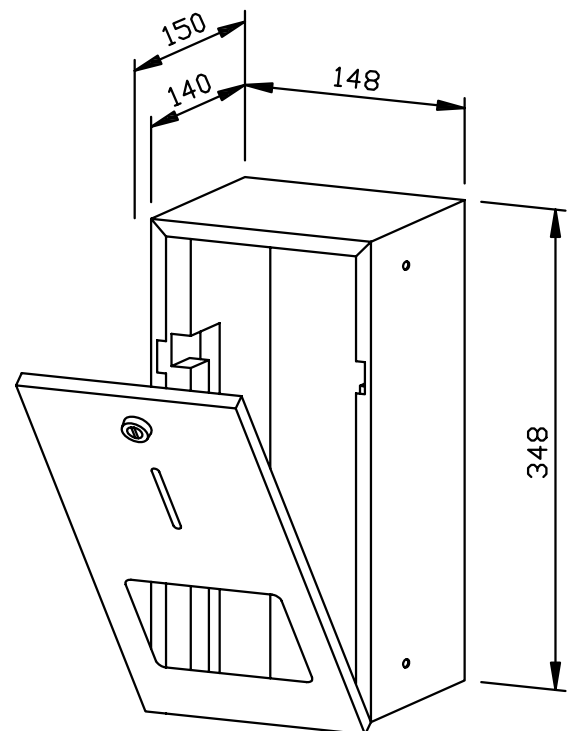


## Suggested text for specifications:

Toilet roll holder with one concealed reserve roll in stainless steel (AISI 304) for flush mounting. All-stainless steel housing; all corners fully welded, visible surfaces satin finished and brushed. Designed for two standard toilet rolls, including one concealed reserve roll, which drops down automatically. Inspection slot to indicate fill level. Accessible for refilling through lockable front flap. Keyed alike cylinder lock in corrosion-resistant zinc die-casting. Delivery includes fixing material.

Dimensions: 148 x 348 x 150 mm

Article No. WP167



Available surfaces	ID No.
satin finished (standard)	728 500
highly polished	732 500
(coloured) plastic powder-coating	729 500

## Ernst Wagner GmbH & Co. KG

Ernst-Abbe-Straße 21 · D-72770 Reutlingen · Tel.: +49712151539-0 · Fax: -20  
info@wagner-ewar.de · www.wagner-ewar.de

WAGNER  
EWAR