

LARGE ROLL DISPENSER WP163



353 x 350 x 120 mm

for 1 large roll

- Large roll dispenser in robust, germ-reducing and easy-care stainless steel (AISI 304).
- All-stainless steel housing; visible surfaces satin finished and brushed.
Further available surfaces: see below.
- Designed for one standard large roll with dimensions:
Outer diameter max. 280 mm
Width max. 100 mm
Core diameter min. 40 mm
- Spring pressure plate to prevent unintended unrolling.
- Inspection slot to indicate fill level.
- Accessible for refilling through lockable, hinged housing.
- Keyed alike cylinder lock in corrosion-resistant zinc die-casting.
- Wear parts can be replaced as modules.
- Mounting: With four screws through key holes and one optional anti-theft hole in the back wall.
- Delivery includes fixing material.
- Can be converted to WP163-S at a later time:
Conversion kit ID 923 290.
- Weight, including single package: 4.8 kg

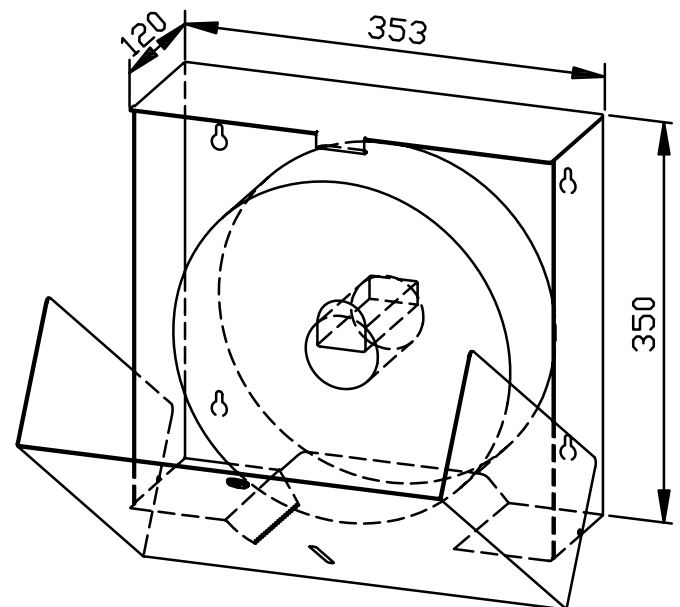


Suggested text for specifications:

Large roll dispenser in stainless steel (AISI 304) for surface mounting. All-stainless steel housing; visible surfaces satin finished and brushed. Designed for one standard large roll. Spring pressure plate to prevent unintended unrolling. Inspection slot to indicate fill level. Accessible for refilling through lockable, hinged housing. Keyed alike cylinder lock in corrosion-resistant zinc die-casting. Delivery includes fixing material.

Dimensions: 353 x 350 x 120 mm

Article No. WP163



Available surfaces

ID No.

satin finished (standard)

727 090

highly polished

731 090

(coloured) plastic powder-coating

728 090

Ernst Wagner GmbH & Co. KG

Ernst-Abbe-Straße 21 · D-72770 Reutlingen · Tel.: +49712151539-0 · Fax: -20
info@wagner-ewar.de · www.wagner-ewar.de

WAGNER
EWAR