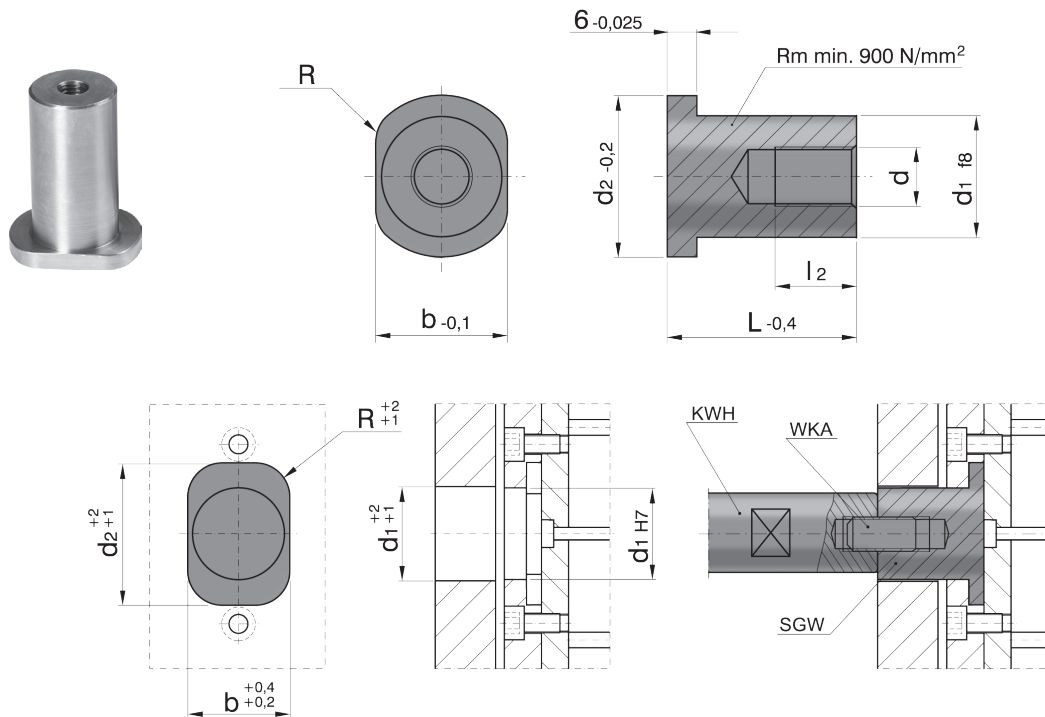


**Sworzeń płyty wypychaczy**

Threaded insert for ejector plate

**SGW**



b	R	d2	d1	l2	d	L	NR KAT.						
24	8	36	20	12	M6	37	SGW-0637						
						42	SGW-0642						
				16	M8	37	SGW-0837						
						42	SGW-0842						
						47	SGW-0847						
34	11	46	30	20	M10	52	SGW-0852						
						47	SGW-1047						
						52	SGW-1052						
				24	M12	56	SGW-1056	61	SGW-1061	SGW-1256			
											61	SGW-1261	
											66	SGW-1266	
											71	SGW-1271	
											75	SGW-1275	
											61	SGW-1661	
				32	M16	66	SGW-1666	71	SGW-1671	SGW-1675			
											75	SGW-1675	
											85	SGW-1685	
95	SGW-1695												
46	M20	56	40								40	61	SGW-2061
				71	SGW-2071								
				75	SGW-2075								
				85	SGW-2085								
95	SGW-2095												