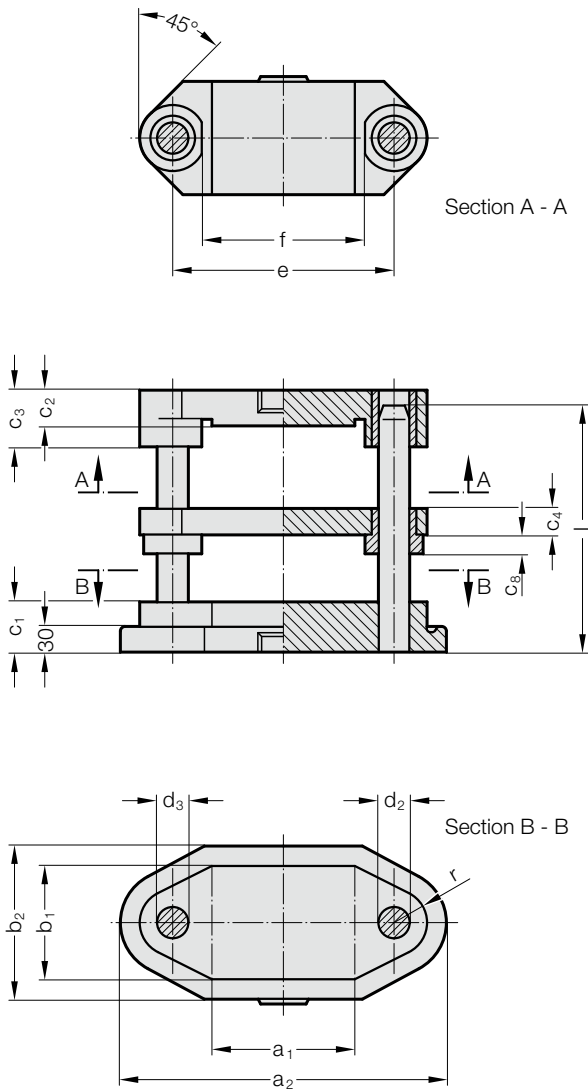
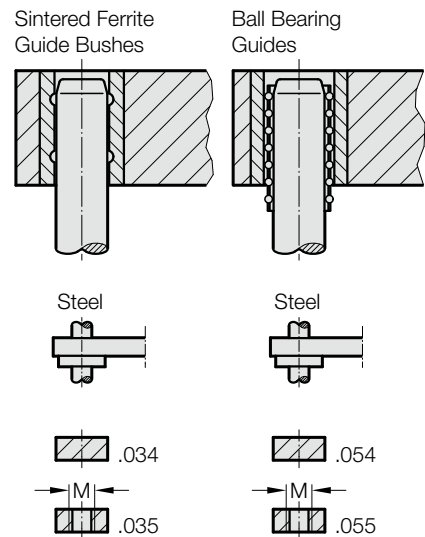


DIE SET DIN 9814 SHAPE C/CG

201.13.



Guide Elements



Stripper

Order No (part 2)
Available without or
with shank thread
in top bolster

201.13. Die set DIN 9814 Shape C/CG

Order No part 1*	Work area													
	$a_1 \times b_1$	a_2	b_2	c_1	c_2	c_3	c_4	c_8	d_2	d_3	e	l	r	M
201.13.080.063.□□□.□□	80 x 63	235	103	50	30	50	18	14	20	19	140	160 - 400	27	20x1.5
201.13.100.080.□□□.□□	100 x 80	265	120	50	30	50	22	18	25	24	165	160 - 500	30	20x1.5
201.13.125.100.□□□.□□	125 x 100	290	140	50	40	60	22	18	25	24	190	160 - 500	30	24x1.5
201.13.160.125.□□□.□□	160 x 125	355	165	56	40	60	27	18	32	30	240	180 - 500	37	24x1.5
201.13.200.160.□□□.□□	200 x 160	395	200	56	50	70	27	18	32	30	280	200 - 500	37	30x2

*Order number part 2 = add guide type and guide pillar type/length
 Order example, see beginning of chapter A cast pillar frames