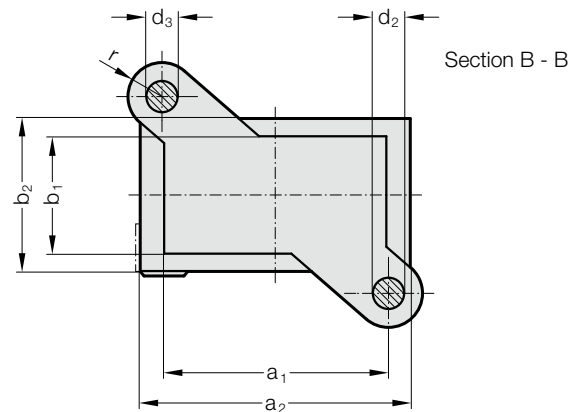
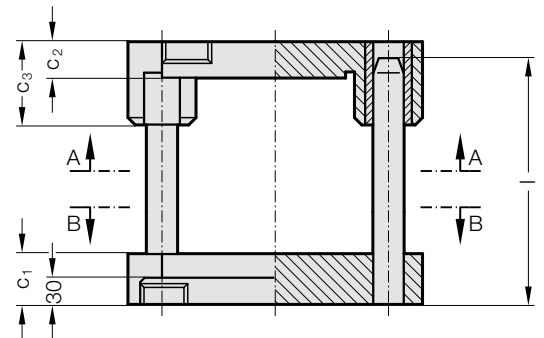
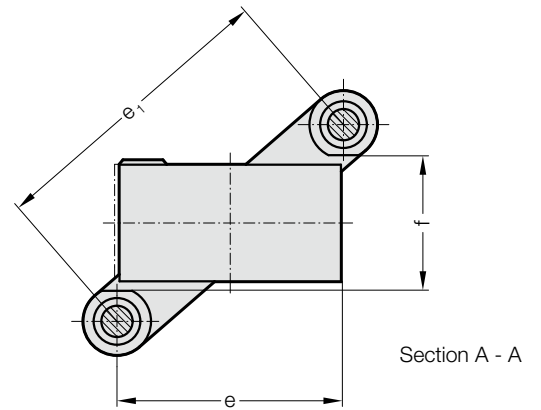


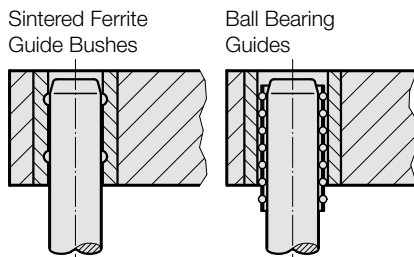
DIE SET



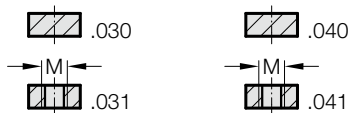
201.26.



Guide Elements



Order No (part 2)
Available without or
with shank thread
in top bolster



201.26. Die set

Order No part 1*	Work area		a_2	b_2	c_1	c_2	c_3	d_2	d_3	e	e_1	f	l	r	M
201.26.125.100.□□□.□□	125 x 100	165	140	50	40	90	25	24	125	206	110	160 - 500	30	24x1.5	
201.26.160.100.□□□.□□	160 x 100	200	140	50	40	90	25	24	160	229	110	160 - 500	30	24x1.5	
201.26.160.125.□□□.□□	160 x 125	200	165	56	40	90	32	30	160	259	139	180 - 500	37	24x1.5	
201.26.200.125.□□□.□□	200 x 125	240	165	56	40	90	32	30	200	286	139	180 - 500	37	24x1.5	
201.26.200.160.□□□.□□	200 x 160	240	200	56	50	100	32	30	200	312	174	200 - 500	37	30x2	

*Order number part 2 = add guide type and guide pillar type/length
 Order example, see beginning of chapter A cast pillar frames