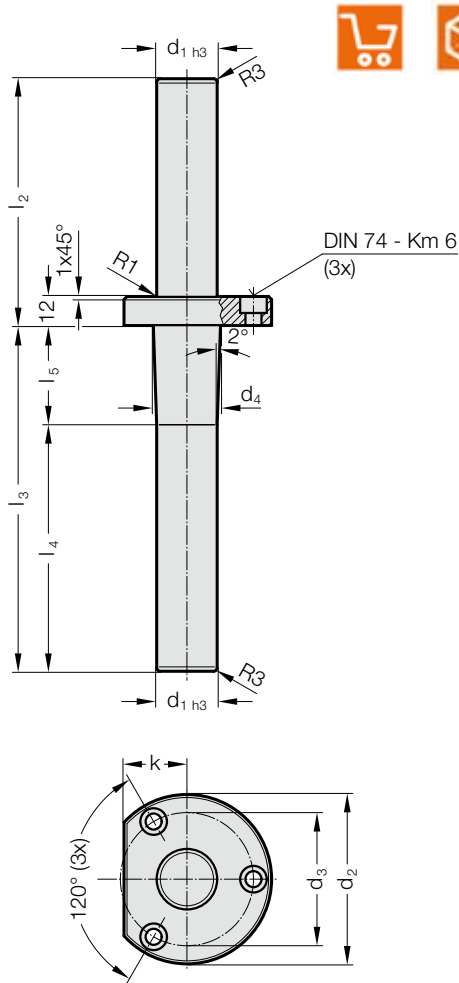
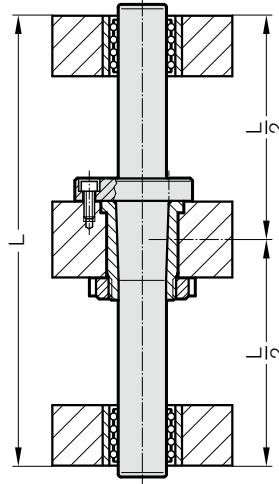


DEMOUNTABLE GUIDE PILLAR WITH CONICAL CENTRE FIXING

2020.64.



Mounting example



Material:

Steel, hardened 62 ± 2 HRC

Execution:

precision ground

Note:

Matching retaining bush 2021.64.

Use socket cap screws DIN EN ISO 4762 12.9.

Bearing clearance / Preloading see pairing classification at the beginning of chapter D.

Matching guide combinations, see selection matrix at the beginning of chapter D.

Bending equation see at the beginning of chapter D.

Tolerance range:

yellow = .10

green = .20

2020.64. Demountable guide pillar with conical centre fixing

d ₁	25	25	32	32	32	32	32	32
d ₂	70	70	76	76	76	76	76	76
d ₃	55	55	62	62	62	62	62	62
d ₄	27.86	27.86	34.86	34.86	34.86	34.86	34.86	34.86
k	26	26	30	30	30	30	30	30
l ₂	102	122	102	122	122	137	142	162
l ₃	143	143	143	143	153	153	153	153
l ₄	102	102	102	102	112	112	112	112
l ₅	41	41	41	41	41	41	41	41

Ordering Code (example):

Demountable guide pillar with conical centre fixing	= 2020.64.
Diameter of conduit d ₁	32 mm = 032.
Length with bush (short) l ₂	122 mm = 122.
Length to bush (long) l ₃	153 mm = 153.
Classification TOL	yellow = 10
Order No	= 2020.64. 032. 122. 153. 10