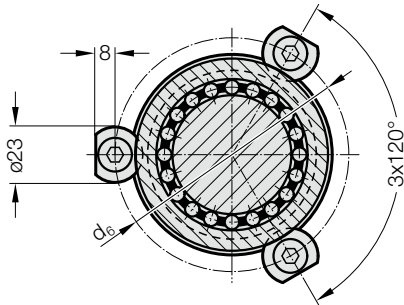
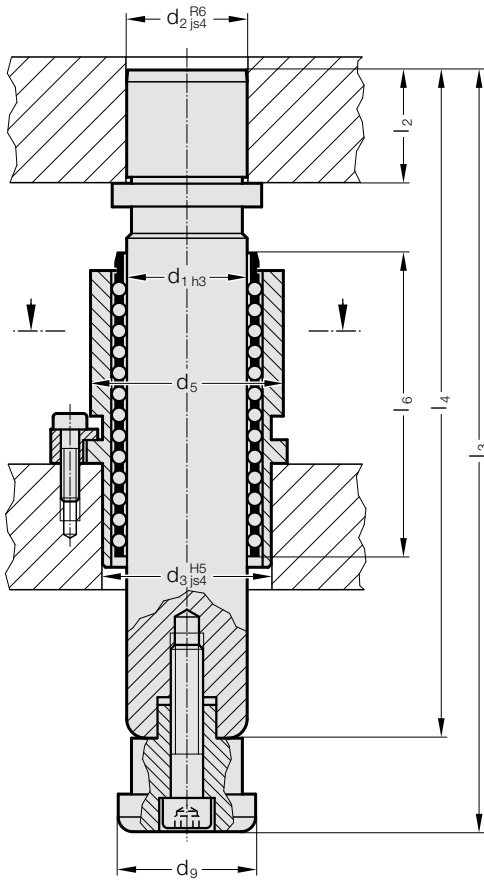


BALL GUIDE UNIT TO MERCEDES-BENZ STANDARD

2025.94.



Material:

Demountable guide pillar: Steel, surface hardened
 Guide bush: Tooling steel
 Cage retainer: Steel
 Ball cage: Brass

Execution:

Ball guide unit 2025.94. consisting of: Demountable guide pillar, guide bush, ball cage, cage retainer, clamps and socket cap screws to DIN EN ISO 4762.

2025.94. Ball guide unit to Mercedes-Benz Standard

Column diameter d ₁	50	80
d ₂	50	80
d ₃	70	105
d ₅	80	118
d ₆	97	135
d ₉	57	91
l ₂	47	75
l ₃	316	450
l ₄	271	400
l ₆	128	160

Ordering Code (example):

Ball guide unit to Mercedes-Benz Standard	=	2025.94.
Pillar diameter d ₁	80 mm	= 080
Order No	=	2025.94. 080