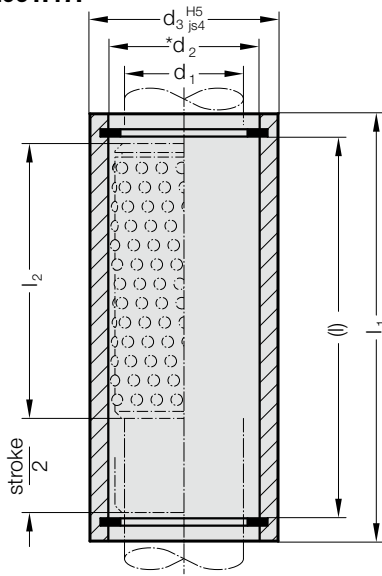


GUIDE BUSH FOR BALL BEARING, WITH STROKE LIMITATION

2061.47.



Material:

Tool steel, hardened 62 ± 2 HRC

Execution:

Bearing surfaces honed,
outside diameter precision ground.

Slip-Fit Bonding:

The position of the bearing is given by push fit holes tolerance H5. The adhesive (order no. 281.648) provides optimum push retention whilst offering the following **advantages:**

- high accuracy and stiffness
- no problems to find position when changing bushings

We do not recommend to press fit for the same reasons mentioned above.

Note:

- ☞ Notes on ball bearing type guides at the beginning of chapter D.
- *☞ Preloading see pairing classification at the beginning of chapter D
- ☞ Matching guide combinations, see selection matrix at the beginning of chapter D.
- ☞ Assembly guide lines / Dimensional requirements and tolerances at the end of chapter D.

Tolerance range:

- yellow = .10
- green = .20
- red = .30

2061.47. Guide bush for ball bearing, with stroke limitation

d ₁	15 16	19 20	24 25	30 32	38 40	48 50	60	63
d ₂	21	25	30	38	46	56	68	71
d ₃	28	32	40	48	58	70	85	85
(l)	55.6	72	70.8	88.2	113.2	112.2	112.2	107.2
l ₁ / l ₂ *								
60 / 44	●							
77 / 44		●	●					
95 / 50				●				
120 / 65					●			
120 / 80						●		
120 / 95							●	●

*l₂ = Manufacturing length of ball cage

Ordering Code (example):

Guide bush for ball bearing, with stroke limitation	=	2061.47.
Diameter of conduit d ₁	32 mm =	032.
Installation length l ₁	95 mm =	095.
Classification TOL	yellow =	10
Order No	=	2061.47. 032.095. 10