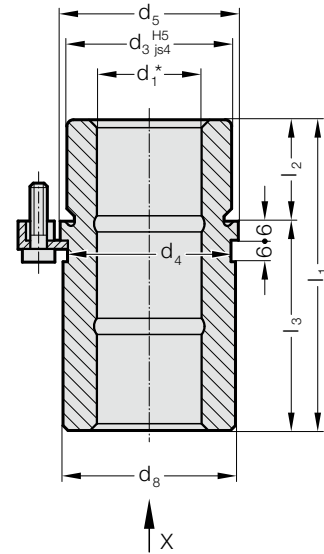
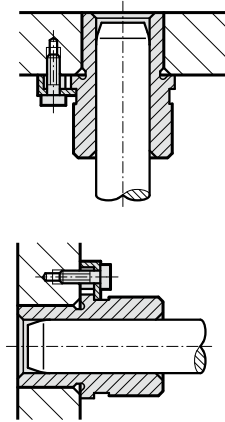


# HEADED GUIDE BUSH, SINTERED FERRITE CARBONITRIDED WITH LONG-TERM LUBRICATION, ISO 9448-6



Mounting example

2081.31.



**Material:**

Sintered ferrite of high purity, carbonitrided, long-term lubrication

**Execution:**

Bearing surfaces and outside diameter precision ground.

**Note:**

The attachment is with 3 Screw clamp, from  $\phi d_1 = 38$  with 4 Screw clamp, which are included in delivery (Order No: 207.45 - Screw clamp incl. socket cap screw DIN 6912, Head  $\phi 13$ ).

☞ Notes on sliding type guides at the beginning of chapter D.

\*☞ Bearing clearance see pairing classification at the beginning of chapter D.

☞ Matching guide combinations, see selection matrix at the beginning of chapter D.

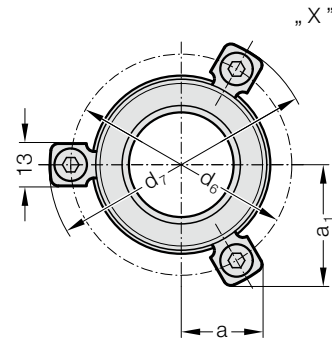
☞ Assembly guide lines / Dimensional requirements and tolerances at the end of chapter D.

Tolerance range:

yellow = .10

green = .20

red = .30



**2081.31. Headed guide bush, sintered ferrite carbonitrided with long-term lubrication, ISO 9448-6**

|       |       |       |       |       |       |       |
|-------|-------|-------|-------|-------|-------|-------|
| $d_1$ | 19 20 | 24 25 | 30 32 | 38 40 | 48 50 | 60 63 |
| $d_3$ | 32    | 40    | 48    | 58    | 70    | 85    |
| $d_4$ | 32    | 40    | 48    | 58    | 70    | 85    |
| $d_5$ | 40    | 48    | 56    | 66    | 80    | 95    |
| $d_6$ | 52    | 60    | 67    | 77    | 91    | 106   |
| $d_7$ | 64.7  | 72.7  | 79.7  | 89.7  | 103.7 | 118.7 |
| $d_8$ | 39    | 46    | 53    | 63    | 77    | 92    |
| $a$   | 20.7  | 22.65 | 24.4  | 35.3  | 40.2  | 45.5  |
| $a_1$ | 30    | 33.4  | 36.4  | 35.3  | 40.2  | 45.5  |
| $l_1$ | 59    | 79    | 93    | 108   | 127   | 150   |
| $l_2$ | 23    | 23    | 30    | 37    | 47    | 60    |
| $l_3$ | 36    | 56    | 63    | 71    | 80    | 90    |

**Ordering Code (example):**

Headed guide bush, sintered ferrite carbonitrided with long-term lubrication, ISO 9448-6

= 2081.31.

Diameter of conduit  $d_1$

38 mm = 038.

Classification TOL

yellow = 10

Order No

= 2081.31. 038. 10