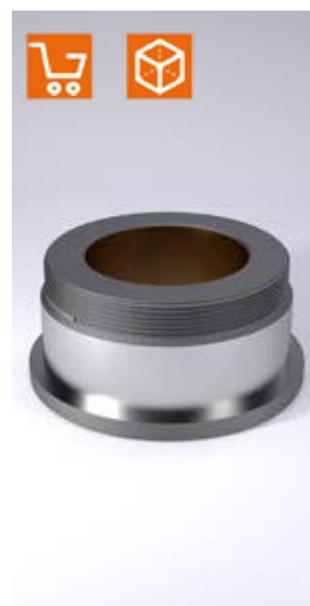
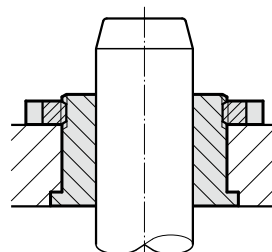
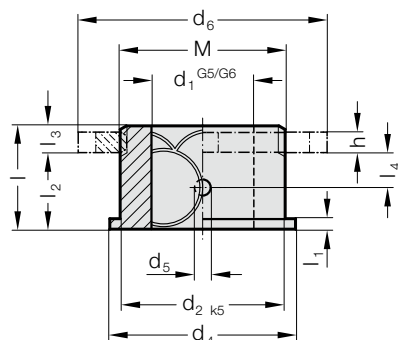


GUIDE BUSH WITH COLLAR, BRONZE COATED, ~AFNOR

210.85.

Mounting example



Material:

1.0503

$\varnothing d_2$ induction hardened to 500+100 HV 10

Execution:

Bronze coated internal bore.

Diameter d_2 and collar face precision ground.


up to $\varnothing d_1 = 25$ tolerance G6


from $\varnothing d_1 = 32$ tolerance G5


Note:

The guide bush is fixed with slotted nut 207.48.

Lubrication via funnel lubricating nipple with thread DIN 3405-A M8x1.

 Notes on sliding type guides at the beginning of chapter D.

 Matching guide combinations, see selection matrix at the beginning of chapter D.

 Assembly guide lines / Dimensional requirements and tolerances at the end of chapter D.

210.85. Guide bush with collar, bronze coated, ~AFNOR

d_1	Tolerance	d_2	d_4	d_6	h	M	l	l_1	l_2	l_3	l_4
16	+0.006/+0.017	28	32	40	3	M27x1	16	3	11	5	5.5
16		28	32	40	3	M27x1	20	3	15	5	7.5
20	+0.007/+0.020	32	36	44	4	M30x1	21	3	15	6	5
20		32	36	44	4	M30x1	25	3	19	6	9.5
25		40	45	55	4	M39x1	26	3	19	7	9.5
25		40	45	55	4	M39x1	31	3	24	7	12
32	+0.009/+0.020	50	56	65	5	M48x1	31	4	24	7	12
32		50	56	65	5	M48x1	38	4	31	7	15.5
40		63	70	81	6	M60x1	39	4	31	8	15.5
40		63	70	81	6	M60x1	47	4	39	8	19.5
50		80	90	100	8	M76x1	41	5	31	10	15.5
50		80	90	100	8	M76x1	49	5	39	10	19.5

Ordering Code (example):

Guide bush with collar, bronze coated, ~AFNOR = 210.85.

Diameter of conduit d_1 32 mm = 032.

total length l 31 mm = 031

Order No = 210.85. 032. 031