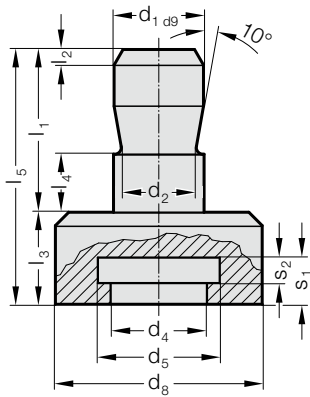


SPIGOT HOLDER

212.16.



212.16. Spigot holder

Order No	Work area											
	d_1	d_2	d_4	d_5	d_8	l_1	l_2	l_3	l_4	l_5	s_1	s_2
212.16.025	25	20	26	33	56	45	4	25	16	70	12.6	7
212.16.032	32	25	33	49	80	56	4	30	16	86	18.6	10
212.16.040	40	32	33	49	80	70	5	30	26	100	18.6	10